

TOP PERFORMANCE

# CRYOGENIC BALL VALVE



 **STAR** LINE<sup>®</sup>

STARLINE S.p.A.

Via F. Baracca, 30 - 24060 S.PAOLO D'ARGON (Bergamo) ITALY

For more details [www.starline.it](http://www.starline.it)

STARLINE

# **STAR LINE**<sup>®</sup>



## CRYO STAR forged steel ball valves



PED 97/23 EC



Certificate N° : RPS 0160304/01

ATEX 94/9 CE

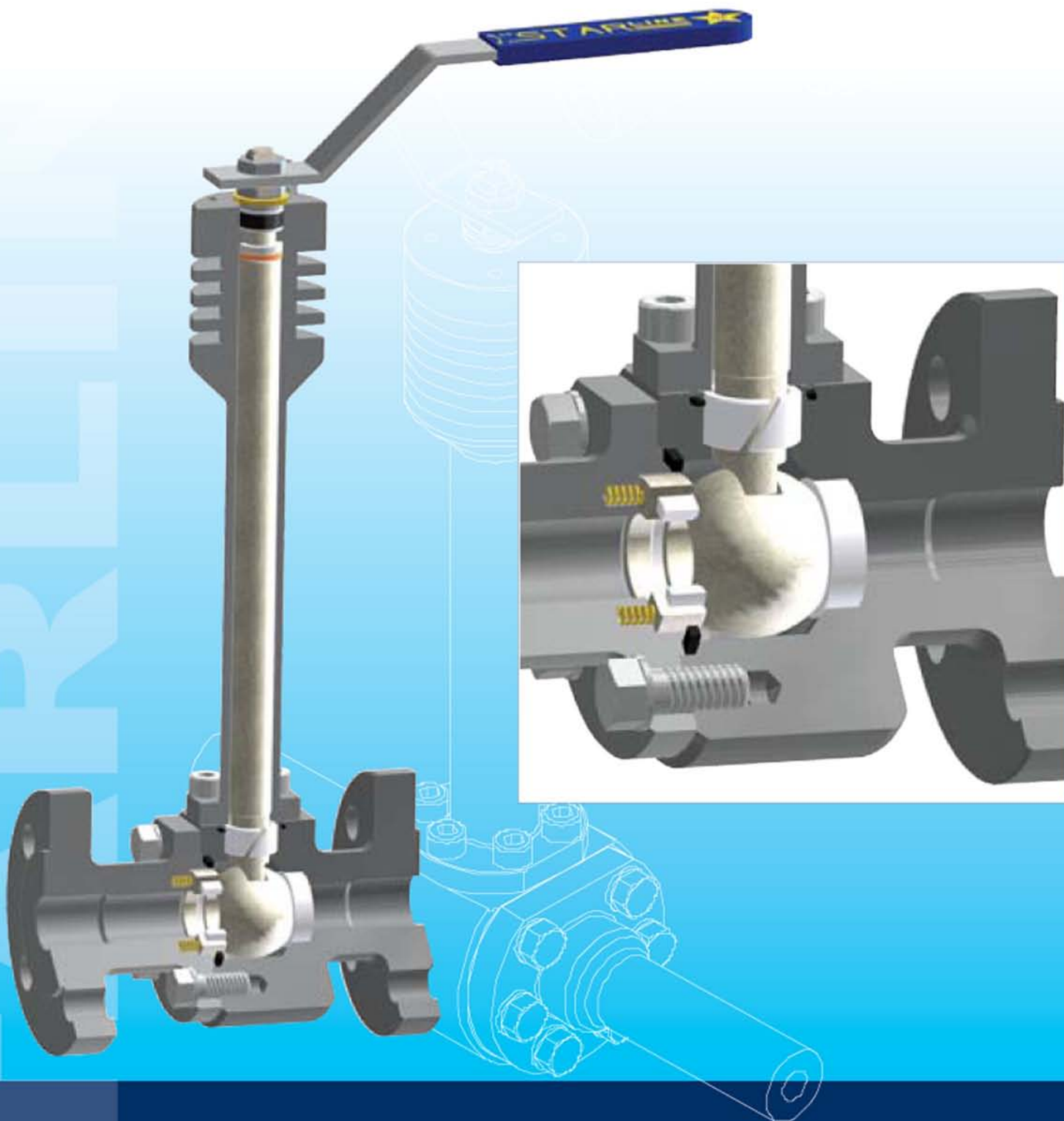


Tech. File N° ST01 ATEX



6D-0233

# CRYOSTAR FLOATING BALL model n.5



**Size range:**

**Pressure rating:**

**Materials of construction:**

**Leakage rate:**

**End connections:**

**Fire safe:**

from 1/4" to 4" full bore – 3/4" to 6" reduced bore

from ASME class 150 to 600 – PN 16 to PN 100

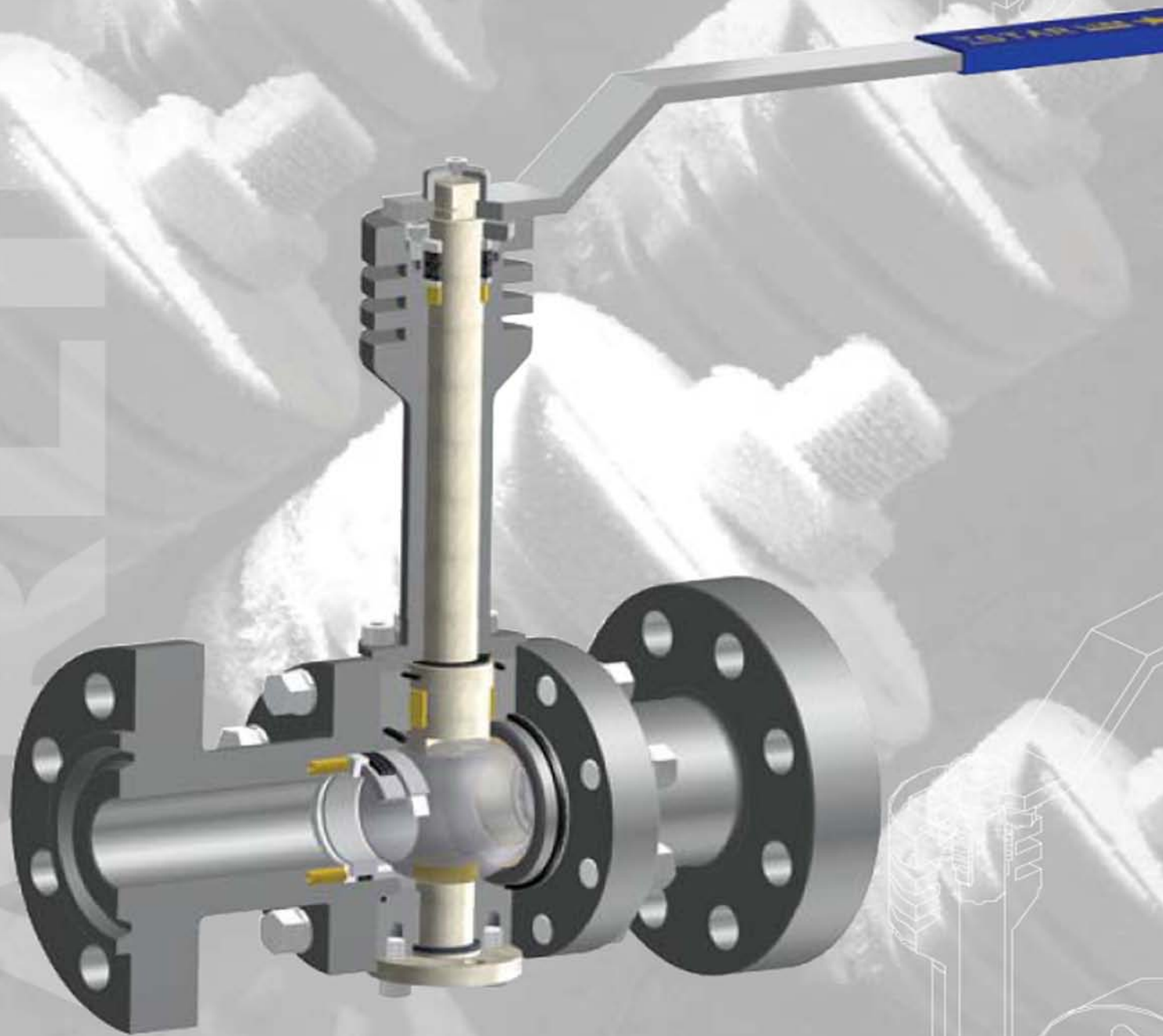
Up to 1" also available up to ASME class 1500

Forged stainless steel 304, 316 and any special alloy  
according to all the main international and Customer's  
Specifications

All connections available (flanged, welded, screwed or other)

BS 6755, API 607, API 6FA

# CRYOSTAR Trunnion Mounted model n. LT 0



**Size range:**

**Pressure rating:**

**Materials of construction:**

**Leakage rate:**

**End connections:**

**Fire safe:**

from 1/2" to 8" full bore – 3/4" to 10" reduced bore

from ASME class 150 to 2500 – PN 16 to PN 420

Forged stainless steel 304, 316 and any special alloy  
according to all the main international and Customer's  
specifications

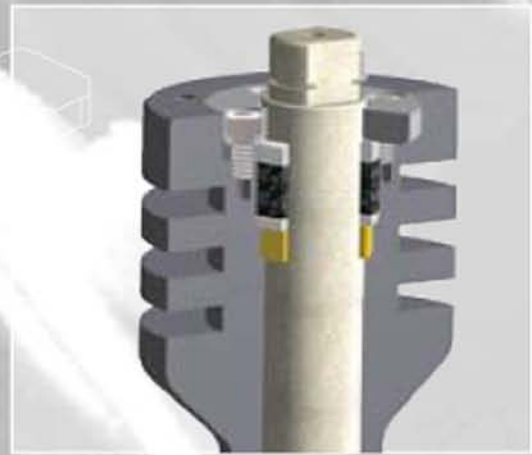
All connections available (flanged, welded, screwed or other)

BS 6755, API 607, API 6FA

## MAIN FEATURES



Thermal fins to isolate the stem tightness from the cold temperature



Unidirectional valve on floating execution  
Bidirectional valve on trunnion mounted execution



Remarkable tested performance with thermal shock  
(drastic change of negative temperature to positive temperature)

## REFERENCES

- 2000 to 2007
- 2004
- 2005
- 2006
- 2006/2007

AIR LIQUIDE  
POLARIS  
CHEMSYS  
DOLPHIN PROJECT  
YEMEN LNG

## CERTIFICATIONS

Our cryogenic ball valves have passed the following witness cryogenic testing with positive results:

BS 6364  
SHELL SPE 77/306  
TOTAL GS PVV 150  
AGIP SPEC. 111544.PIP.MME  
ENI SPEC. GA-18

All testings have been performed in Starline plant





### MAIN DISTRIBUTORS

Norway, Sweden, Denmark, Netherlands,

Belgium, Switzerland, Austria, Greece,

Brasil, Usa, Canada, Australia, New Zeland, South Africa,

UAE, Czech Republic, Slovakia, Poland

Singapore, Romania, Oman, Saudi Arabia, Kuwait

### STARLINE S.p.A.

Via F. Baracca, 30 - 24060 S. PAOLO D'ARGON (Bergamo) ITALY  
Phone: + 39 035/958041/958102 - Fax: + 39 035/958413  
<http://www.starline.it> - e-mail: [starline@starline.it](mailto:starline@starline.it)

**STARLINE Armaturen GmbH**  
Adam - Opel - Strasse, 11  
D-64569 Nauheim  
Phone: +49 (0) 6152 987 655  
Fax: +49 (0) 6152 987 656  
e-mail: [info@starline-armaturen.de](mailto:info@starline-armaturen.de)  
<http://www.starline-armaturen.de>

**STARLINE BALL VALVES LTD**  
Telfor Way  
Stephenson Ind. Est.  
Coalville Leicestershire LE67 3HE  
Phone: +44 1530 815 818  
Fax: +44 1530 815 819  
e-mail: [Starline@acvalvealliance.com](mailto:Starline@acvalvealliance.com)  
<http://www.acvalvealliance.com>

**STARLINE FRANCE**  
7, Parc d'Activites  
de la Verdliere  
13880 VELAUX - France  
Phone: +33 442878400  
Fax: +33 442878404  
e-mail: [infos@star-line.fr](mailto:infos@star-line.fr)  
<http://www.star-line.fr>

**STARLINE IBERICA S.A.**  
C/Rec Del Molinar, 9  
Poligono Industrial El Circuit  
E - 08160 Montmeló (Barcelona) - España  
Phone: +34 93 579 93 70  
Fax: +34 93 579 92 44  
e-mail: [starline@starline.es](mailto:starline@starline.es)  
<http://www.starline.es>

**STARLINE VALVES OY**  
Martinkylantie, 39  
Fin - 01720 Vantaa  
Finland  
Phone: +35 898787711  
Fax: +35 898787221  
e-mail: [starline@starline.fi](mailto:starline@starline.fi)  
<http://www.starline.fi>