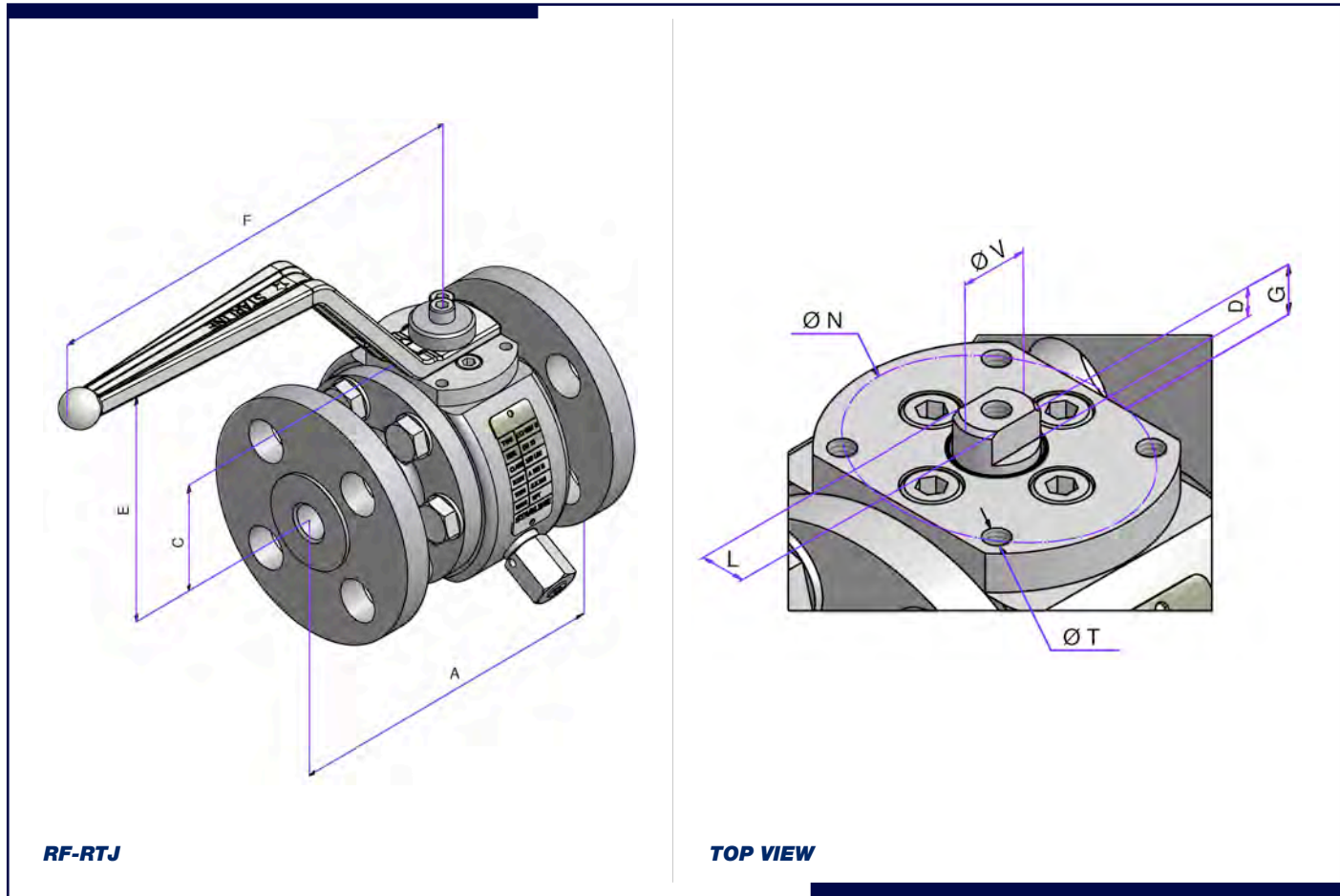


ITEM NO.	Q .TY	PART NAME	MATERIAL (LF2/F316)	MATERIAL (F316/F316)	SPECIAL
NP	1	Name Plate	Stainless Steel	Stainless Steel	
2a	*****	Top Cover Screw	ASTM A193 B8	ASTM A193 B8	
2b	*****	Trunnion Screw	ASTM A193 B8	ASTM A193 B8	
3a	1	Stem Fire Seal	Graphite	Graphite	
3b	1	Trunnion Fire Seal	Graphite	Graphite	
5	1	Upper Stem	ASTM A276/479 F316	ASTM A276/479 F316	
6	1	Top Cover	ASTM A350 LF2	ASTM A276/479 F316	
7	1	Thrust Washer	Reinforced PTFE	Reinforced PTFE	
8	*****	Stem "O" Ring	VITON	VITON	
8a	*****	Trunnion "O" Ring	VITON	VITON	
9	1	Ball	ASTM A276/479 F316	ASTM A276/479 F316	
10a	2	Seat Ring	ASTM A276/479 F316	ASTM A276/479 F316	
11	1	Adaptor Fire Seal	Graphite	Graphite	
12	1	Body	ASTM A350 LF2	ASTM A276/479 F316	
13	1	Adaptor Flange	ASTM A350 LF2	ASTM A276/479 F316	
15 - 15a	2	Antistatic Spring	INCONEL X -750	INCONEL X -750	
16	*****	Adaptor Bolts	ASTM A320 L7M	ASTM A193 B8M	
30a - 30b - 30c	1+1+1	Bearing	ASTM A276/479 F316	ASTM A276/479 F316	
31	*****	Seat Spring	INCONEL X - 750	INCONEL X - 750	
32	1	Trunnion	ASTM A276/479 F316	ASTM A276/479 F316	
33	2	Seat Fire Seal	Graphite	Graphite	
34	*****	Seat "O" Ring	VITON	VITON	
35	1	Adaptor "O" Ring	VITON	VITON	
37	1	Drain Plug	ASTM A276/479 F316	ASTM A276/479 F316	
37a	1	Drain "O" Ring	VITON	VITON	



RF-RTJ

TOP VIEW

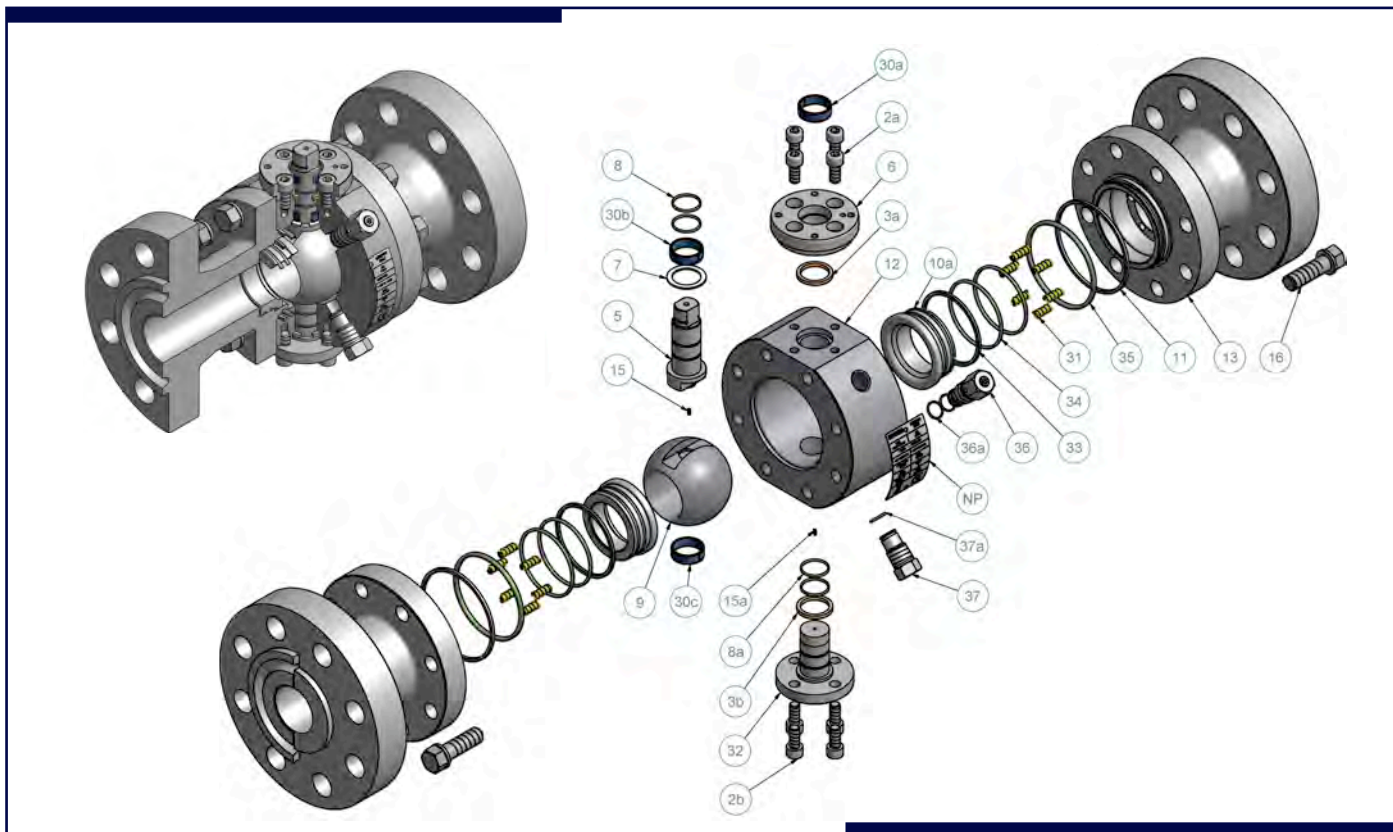
FULL BORE														
VALVE SIZE		DIMENSIONS [mm]								WEIGHT [Kg]				
INCH	mm	A				BORE	C	E	F	RF	RTJ	SW-BW	NPT/F	
		RF	RTJ	SW-BW	NPT/F									
1/2" x 1/2"	15 x 15	108	-	165	2.5	12.7	40	95	172.5	3.5	4	3	3	
3/4" x 3/4"	20 x 20	117.5	-	191	5.5	19	48	102	218	6	6.5	6	6	
1" x 1"	25 x 25	127	139.5	216	8.5	25.4	61	115	218	8.5	9.5	9	9	

MANUAL GEAR OPERATION OR AUTOMATION						
DIMENSIONS [mm]						ISO 5211
V	L	D	G	N	T	
12	7.5	5	6.5	42	M5	F04
15	9	7.5	8.5	50	M6	F05
15	9	9	10	50	M6	F05

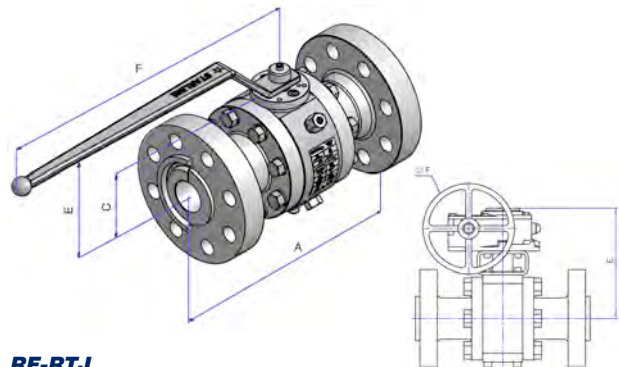
REDUCED BORE														
VALVE SIZE		DIMENSIONS [mm]								WEIGHT [Kg]				
INCH	mm	A				BORE	C	E	F	RF	RTJ	SW-BW	NPT/F	
		RF	RTJ	SW-BW	NPT/F									
3/4" x 1/2"	20 x 15	117.5	-	191	2.5	12.7	40	95	172.5	5	5.5	3.5	3.5	
1" x 3/4"	25 x 20	127	139.5	216	5.5	19	48	102	218	6.5	7	6.5	6.5	
1.1/4" x 1"	32 x 25	139.5	152.5	229	8.5	25.4	61	115	218	10	11	9.5	9.5	
1.1/2" x 1"	40 x 25	165	178	241	8.5	25.4	61	115	218	12	13	9.5	9.5	

MANUAL GEAR OPERATION OR AUTOMATION						
DIMENSIONS [mm]						ISO 5211
V	L	D	G	N	T	
12	7.5	5	6.5	42	M5	F04
15	9	7.5	8.5	50	M6	F05
15	9	9	10	50	M6	F05
15	9	9	10	50	M6	F05

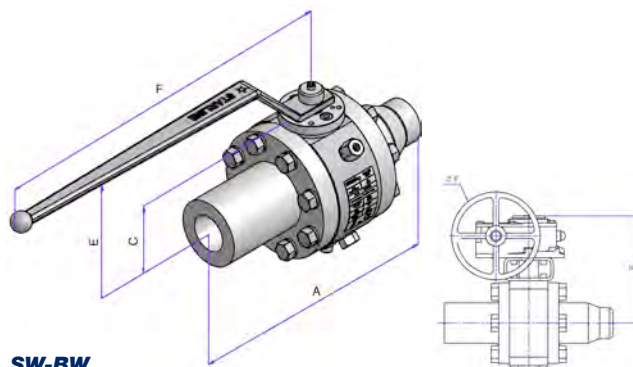
Dimensions and weights are subject to change without notice.
Face to face dimensions not listed in industry standards are subject to change without notice.



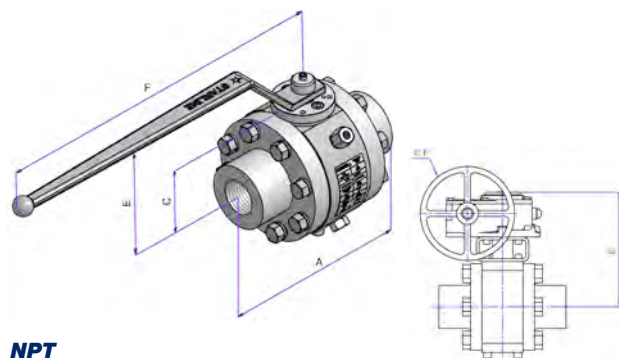
ITEM NO.	Q. TY	PART NAME	MATERIAL (LF2/F316)	MATERIAL (F316/F316)	SPECIAL
NP	1	Name Plate	Stainless Steel	Stainless Steel	
2a	*****	Top Cover Screw	ASTM A193 B8	ASTM A193 B8	
2b	*****	Trunnion Screw	ASTM A193 B8	ASTM A193 B8	
3a	1	Stem Fire Seal	Graphite	Graphite	
3b	1	Trunnion Fire Seal	Graphite	Graphite	
5	1	Upper Stem	ASTM A276/479 F316	ASTM A276/479 F316	
6	1	Top Cover	ASTM A350 LF2	ASTM A276/479 F316	
7	1	Thrust Washer	Reinforced PTFE	Reinforced PTFE	
8	*****	Stem "O" Ring	VITON	VITON	
8a	*****	Trunnion "O" Ring	VITON	VITON	
9	1	Ball	ASTM A276/479 F316	ASTM A276/479 F316	
10a	2	Seat Ring	ASTM A276/479 F316	ASTM A276/479 F316	
11	2	Adaptor Fire Seal	Graphite	Graphite	
12	1	Body	ASTM A350 LF2	ASTM A276/479 F316	
13	2	Adaptor Flange	ASTM A350 LF2	ASTM A276/479 F316	
15 - 15a	2	Antistatic Spring	INCONEL X - 750	INCONEL X - 750	
16	*****	Adaptor Bolts	ASTM A320 L7M	ASTM A193 B8M	
30a - 30b - 30c	1+1+1	Bearing	ASTM A276/479 F316	ASTM A276/479 F316	
31	*****	Seat Spring	INCONEL X - 750	INCONEL X - 750	
32	1	Trunnion	ASTM A276/479 F316	ASTM A276/479 F316	
33	2	Seat Fire Seal	Graphite	Graphite	
34	*****	Seat "O" Ring	VITON	VITON	
35	2	Adaptor "O" Ring	VITON	VITON	
36	1	Vent valve / bleeder	ASTM A276/479 F316	ASTM A276/479 F316	
36a	2	Vent "O" Ring	VITON	VITON	
37	1	Drain Plug	ASTM A276/479 F316	ASTM A276/479 F316	
37a	1	Drain "O" Ring	VITON	VITON	



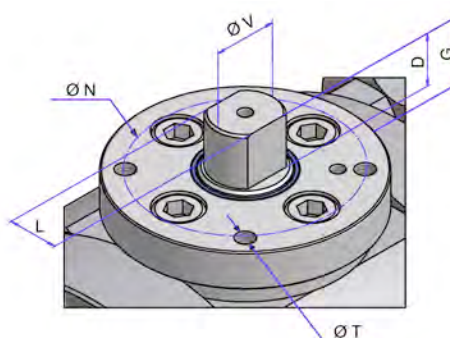
RF-RTJ



SW-BW



NPT



TOP VIEW

FULL BORE														
VALVE SIZE		DIMENSIONS [mm]								WEIGHT [Kg]				
INCH	mm	A				BORE	C	E	F	RF	RTJ	SW-BW	NPT/F	
		RF	RTJ	SW-BW	NPT/F									
1/2" x 1/2"	15 x 15	-	-	165	130	12.7	40	95	172.5	-	-	3	3	
3/4" x 3/4"	20 x 20	-	-	191	145	19	48	102	218	-	-	6	6	
1" x 1"	25 x 25	-	-	216	170	25.4	61	115	218	-	-	9	9	
1.1/2" x 1.1/2"	40 x 40	165	178	241	210	38	72	130	420	14	15	12.5	12.5	
2" x 2"	50 x 50	178	190.5	292	230	51	88	146	420	21	25	22	22	
3" x 3"	80 x 80	203	216	356	-	76	120	177	420	55	57	48	-	
4" x 4"	100 x 100	228.5	241	432	-	101.6	160	350	400	105	110	100	-	

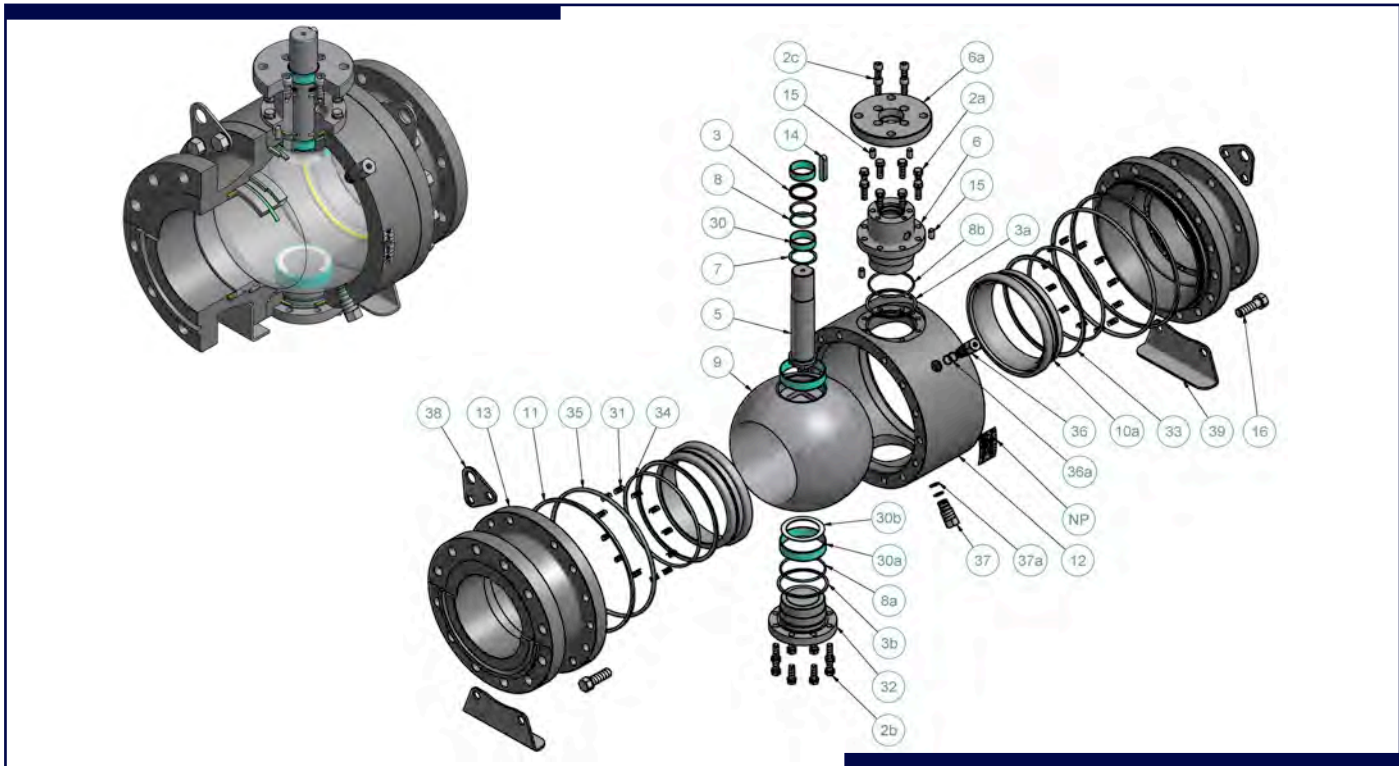
MANUAL GEAR OPERATION OR AUTOMATION							
DIMENSIONS [mm]							ISO 5211
V	L	D	G	N	T		
12	7.5	5	6.5	42	M5	F04	
15	9	7.5	8.5	50	M6	F05	
15	9	9	10	50	M6	F05	
22	16	16	19	70	M8	F07	
22	16	16	19	70	M8	F07	
24	18	22.5	24	70	M8	F07	
40	30	30	32	102	M10	F10	

REDUCED BORE														
VALVE SIZE		DIMENSIONS [mm]								WEIGHT [Kg]				
INCH	mm	A				BORE	C	E	F	RF	RTJ	SW-BW	NPT/F	
		RF	RTJ	SW-BW	NPT/F									
3/4" x 1/2"	20 x 15	-	-	191	130	12.7	40	95	172.5	-	-	3.5	3.5	
1" x 3/4"	25 x 20	-	-	216	145	19	48	102	218	-	-	6.5	6.5	
1.1/4" x 1"	32 x 25	-	-	229	170	25.4	61	115	218	-	-	9.5	9.5	
1.1/2" x 1"	40 x 25	-	-	241	170	25.4	61	115	218	-	-	9.5	9.5	
2" x 1.1/2"	50 x 40	178	190.5	292	210	38	72	130	420	21	25	13.5	13.5	
3" x 2"	80 x 50	203	216	356	-	51	88	146	420	55	57	55	-	
4" x 3"	100 x 80	228.5	241	432	-	76	120	177	420	75	78	112	-	
6" x 4"	150 x 100	394	406.5	559	-	101.6	160	350	400	115	118	112	-	

MANUAL GEAR OPERATION OR AUTOMATION							
DIMENSIONS [mm]							ISO 5211
V	L	D	G	N	T		
12	7.5	5	6.5	42	M6	F04	
15	9	7.5	8.5	50	M6	F05	
15	9	9	10	50	M6	F05	
15	9	9	10	50	M6	F05	
22	16	16	19	70	M8	F07	
22	16	16	19	70	M8	F07	
24	18	22.5	24	70	M8	F07	
40	30	30	32	102	M10	F10	

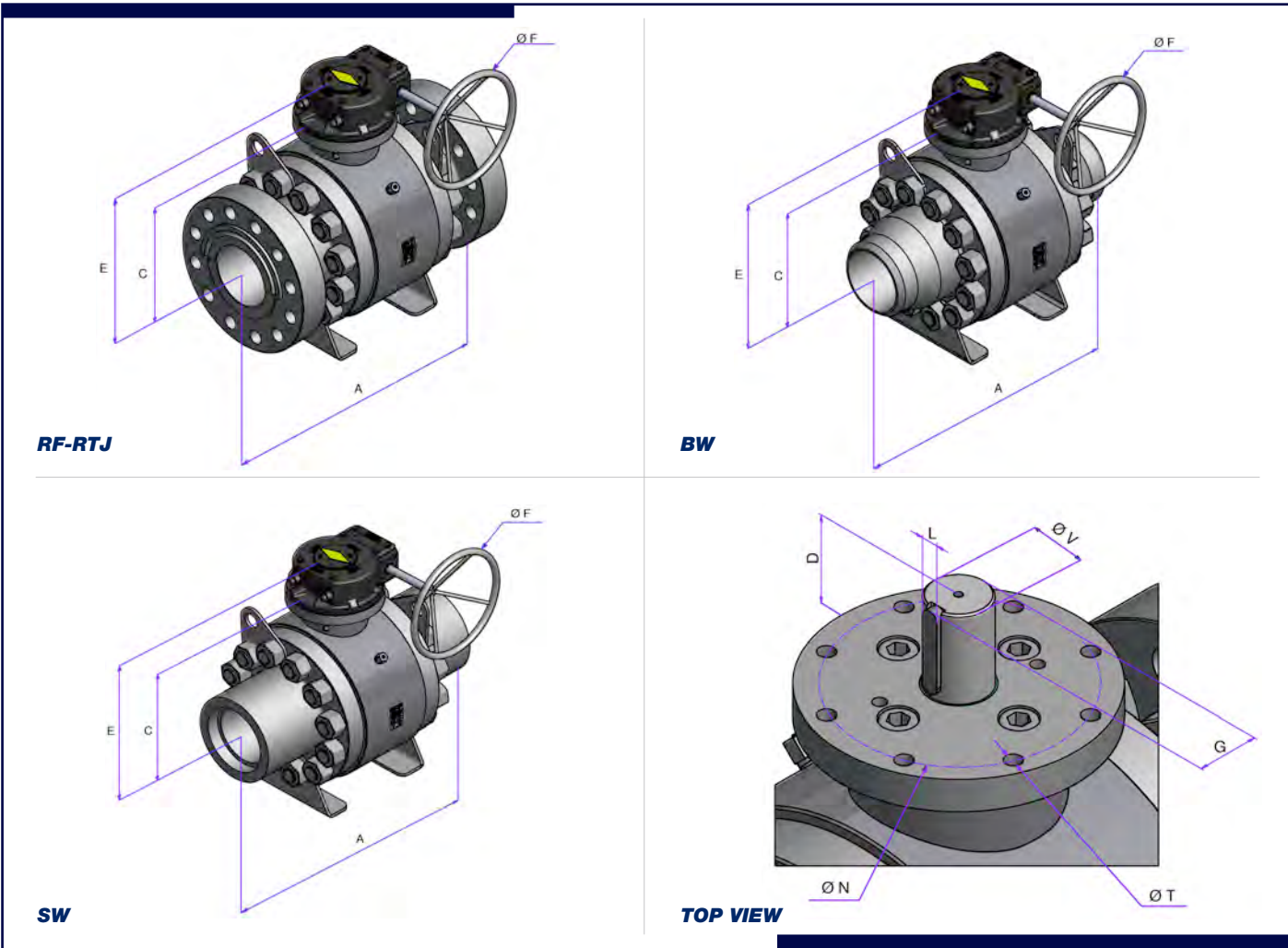
- Gear Operated
- Split Body Construction

Dimensions and weights are subject to change without notice.
Face to face dimensions not listed in industry standards are subject to change without notice.



ITEM NO.	Q. TY	PART NAME	MATERIAL (LF2/F316)	MATERIAL (F316/F316)	SPECIAL
NP	1	Name Plate	Stainless Steel	Stainless Steel	
2a	*****	Top Cover Screw	ASTM A193 B8	ASTM A193 B8	
2b	*****	Trunnion Screw	ASTM A193 B8	ASTM A193 B8	
2c	*****	Upper Flange Screw	ASTM A193 B8	ASTM A193 B8	
3	1	Stem Fire Seal	Graphite	Graphite	
3a	1	Top Cover Fire Seal	Graphite	Graphite	
3b	1	Trunnion Fire Seal	Graphite	Graphite	
5	1	Upper Stem	ASTM A276/479 F316	ASTM A276/479 F316	
6	1	Top Cover	ASTM A350 LF2	ASTM A276/479 F316	
6a	1	Upper Flange	ASTM A350 LF2	ASTM A276/479 F316	
7	1	Thrust Washer	Reinforced PTFE	Reinforced PTFE	
8 - 8a - 8b	*****	Stem - Trunnion Top Cover "O" Ring	VITON	VITON	
9	1	Ball	ASTM A276/479 F316	ASTM A276/479 F316	
10a	2	Seat Ring	ASTM A276/479 F316	ASTM A276/479 F316	
11	2	Adaptor Fire Seal	Graphite	Graphite	
12	1	Body	ASTM A350 LF2	ASTM A276/479 F316	
13	2	Adaptor Flange	ASTM A350 LF2	ASTM A276/479 F316	
14	1	Stem Key	Carbon Steel	Carbon Steel	
15	4	Top Cover / Upper Flange Pin	INCONEL X - 750	INCONEL X - 750	
16	*****	Adaptor Bolts	ASTM A320 L7M	ASTM A193 B8M	
30 - 30a - 30b	2+2+1	Stem - Ball - Trunnion Bearing	ASTM A276/479 F316	ASTM A276/479 F316	
31	*****	Seat Spring	INCONEL X - 750	INCONEL X - 750	
32	1	Trunnion	ASTM A276/479 F316	ASTM A276/479 F316	
33	2	Seat Fire Seal	Graphite	Graphite	
34	2	Seat "O" Ring	VITON	VITON	
35	2	Adaptor "O" Ring	VITON	VITON	
36	1	Vent valve / bleeder	ASTM A276/479 F316	ASTM A276/479 F316	
36a	2	Vent "O" Ring	VITON	VITON	
37	1	Drain Plug	ASTM A276/479 F316	ASTM A276/479 F316	
37a	1	Drain "O" Ring	VITON	VITON	
38	2	Lifting Lug	ASTM A350 LF2	ASTM A276/479 F316	
39	2	Foot	ASTM A350 LF2	ASTM A276/479 F316	

Recommended spare parts



FULL BORE												
VALVE SIZE		DIMENSIONS [mm]								WEIGHT [Kg]		
INCH	mm	A				BORE	C	E	F	RF	RTJ	SW-BW
		RF	RTJ	SW	BW							
6" x 6"	150 x 150	394	406.5	559	559	152	249	340	500	230	235	225
8" x 8"	200 x 200	457	470	521	521	201	293.5	417	800	270	280	265
10" x 10"	250 x 250	533	546	559	559	252	335	461	800	500	510	450

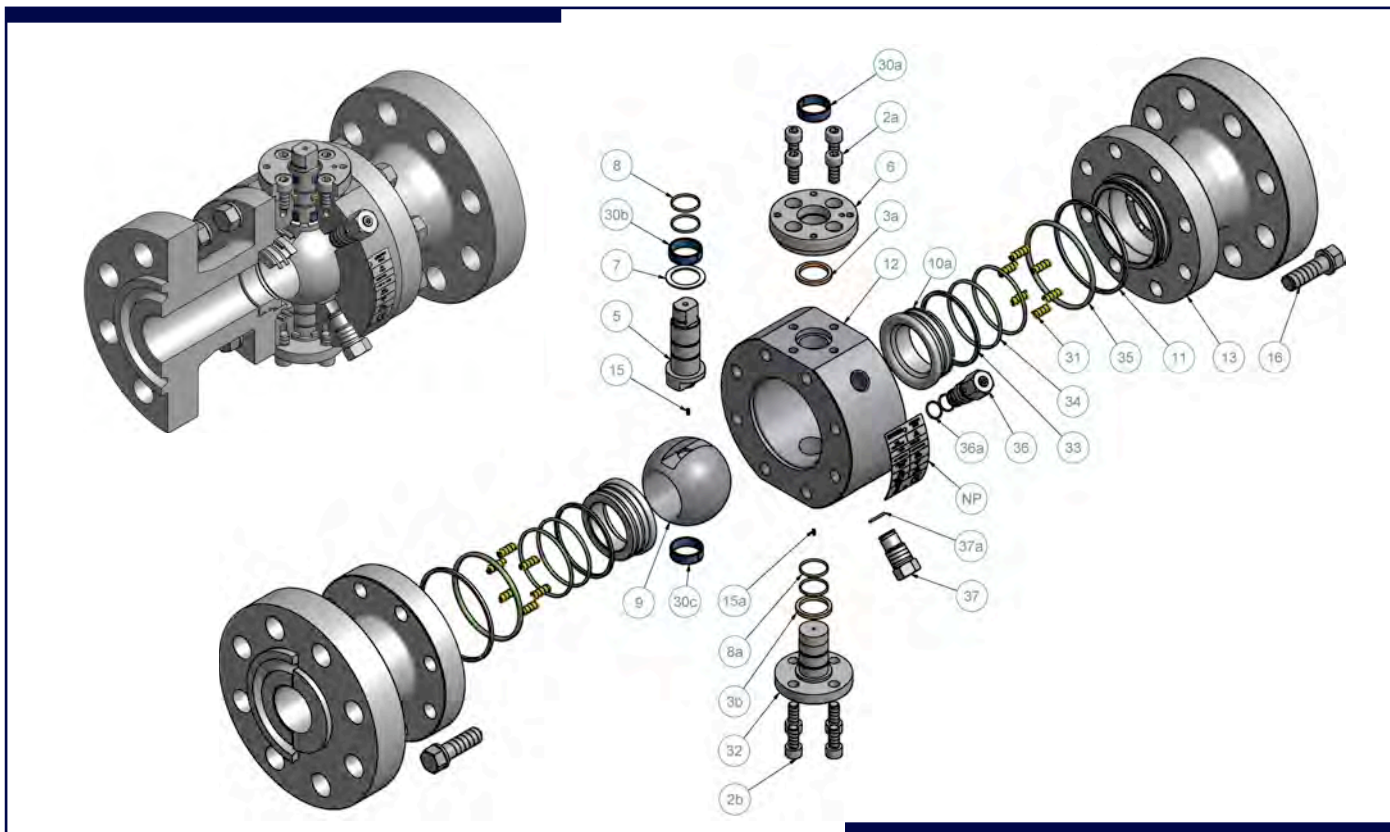
MANUAL GEAR OPERATION OR AUTOMATION							
DIMENSIONS [mm]							ISO 5211
V	L	D	G	N	T		
48	14	68	51.5	140	18	F14	
48	14	81.5	51.5	140	18	F14	
58	16	82	62	165	21	F16	

REDUCED BORE												
VALVE SIZE		DIMENSIONS [mm]								WEIGHT [Kg]		
INCH	mm	A				BORE	C	E	F	RF	RTJ	SW-BW
		RF	RTJ	SW	BW							
8" x 6"	200 x 150	457	470	559	559	152	249	340	500	250	260	240
10" x 8"	250 x 200	533	546	559	559	201	293.5	417	800	290	300	280
12" x 10"	300 x 250	610	622	635	635	252	335	461	800	550	560	500

MANUAL GEAR OPERATION OR AUTOMATION							
DIMENSIONS [mm]							ISO 5211
V	L	D	G	N	T		
48	14	68	51.5	140	18	F14	
48	14	81.5	51.5	140	18	F14	
58	16	82	62	165	21	F16	

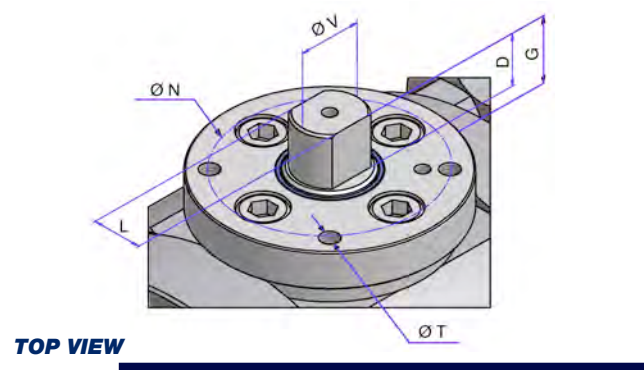
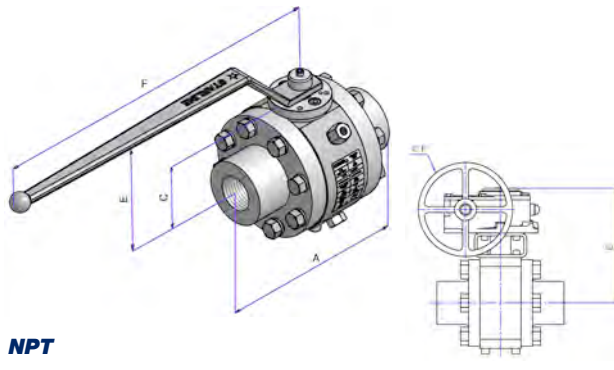
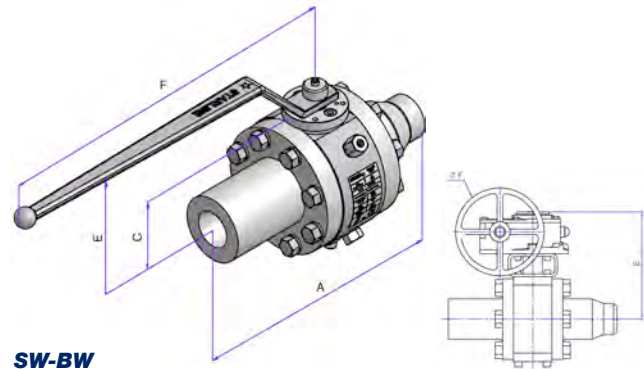
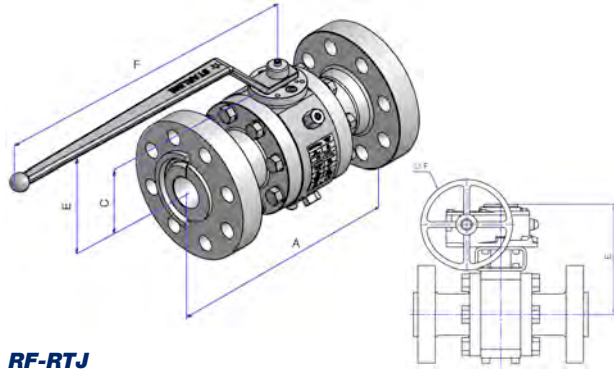
Gear Operated

Dimensions and weights are subject to change without notice.
Face to face dimensions not listed in industry standards are subject to change without notice.



ITEM NO.	Q.TY	PART NAME	MATERIAL (LF2/F316)	MATERIAL (F316/F316)	SPECIAL
NP	1	Name Plate	Stainless Steel	Stainless Steel	
2a	*****	Top Cover Screw	ASTM A193 B8	ASTM A193 B8	
2b	*****	Trunnion Screw	ASTM A193 B8	ASTM A193 B8	
3a	1	Stem Fire Seal	Graphite	Graphite	
3b	1	Trunnion Fire Seal	Graphite	Graphite	
5	1	Upper Stem	ASTM A276/479 F316	ASTM A276/479 F316	
6	1	Top Cover	ASTM A350 LF2	ASTM A276/479 F316	
7	1	Thrust Washer	Reinforced PTFE	Reinforced PTFE	
8	*****	Stem "O" Ring	VITON	VITON	
8a	*****	Trunnion "O" Ring	VITON	VITON	
9	1	Ball	ASTM A276/479 F316	ASTM A276/479 F316	
10a	2	Seat Ring	ASTM A276/479 F316	ASTM A276/479 F316	
11	2	Adaptor Fire Seal	Graphite	Graphite	
12	1	Body	ASTM A350 LF2	ASTM A276/479 F316	
13	2	Adaptor Flange	ASTM A350 LF2	ASTM A276/479 F316	
15 - 15a	2	Antistatic Spring	INCONEL X - 750	INCONEL X - 750	
16	*****	Adaptor Bolts	ASTM A320 L7M	ASTM A193 B8M	
30a - 30b - 30c	1+1+1	Bearing	ASTM A276/479 F316	ASTM A276/479 F316	
31	*****	Seat Spring	INCONEL X - 750	INCONEL X - 750	
32	1	Trunnion	ASTM A276/479 F316	ASTM A276/479 F316	
33	2	Seat Fire Seal	Graphite	Graphite	
34	*****	Seat "O" Ring	VITON	VITON	
35	2	Adaptor "O" Ring	VITON	VITON	
36	1	Vent valve / bleeder	ASTM A276/479 F316	ASTM A276/479 F316	
36a	2	Vent "O" Ring	VITON	VITON	
37	1	Drain Plug	ASTM A276/479 F316	ASTM A276/479 F316	
37a	1	Drain "O" Ring	VITON	VITON	

Recommended spare parts



FULL BORE													
VALVE SIZE		DIMENSIONS [mm]								WEIGHT [Kg]			
INCH	mm	A				BORE	C	E	F	RF	RTJ	SW-BW	NPT/F
		RF	RTJ	SW-BW	NPT/F								
1/2" x 1/2"	15 x 15	140	152	165	2.5	12.7	40	95	172.5	4	4.5	3	3
3/4" x 3/4"	20 x 20	152	165	191	5.5	19	48	102	218	6.5	7	6	6
1" x 1"	25 x 25	165	178	216	8.5	25.4	61	115	218	9	10	9	9
1.1/2" x 1.1/2"	40 x 40	191	203	241	210	38	72	130	420	15	16	12.5	12.5
2" x 2"	50 x 50	216	232	292	230	51	88	146	420	22	26	22	22
3" x 3"	80 x 80	283	298	356	-	76	120	177	420	57	60	48	-
4" x 4"	100 x 100	305	320.5	432	-	101.6	160	350	400	110	112	98	-

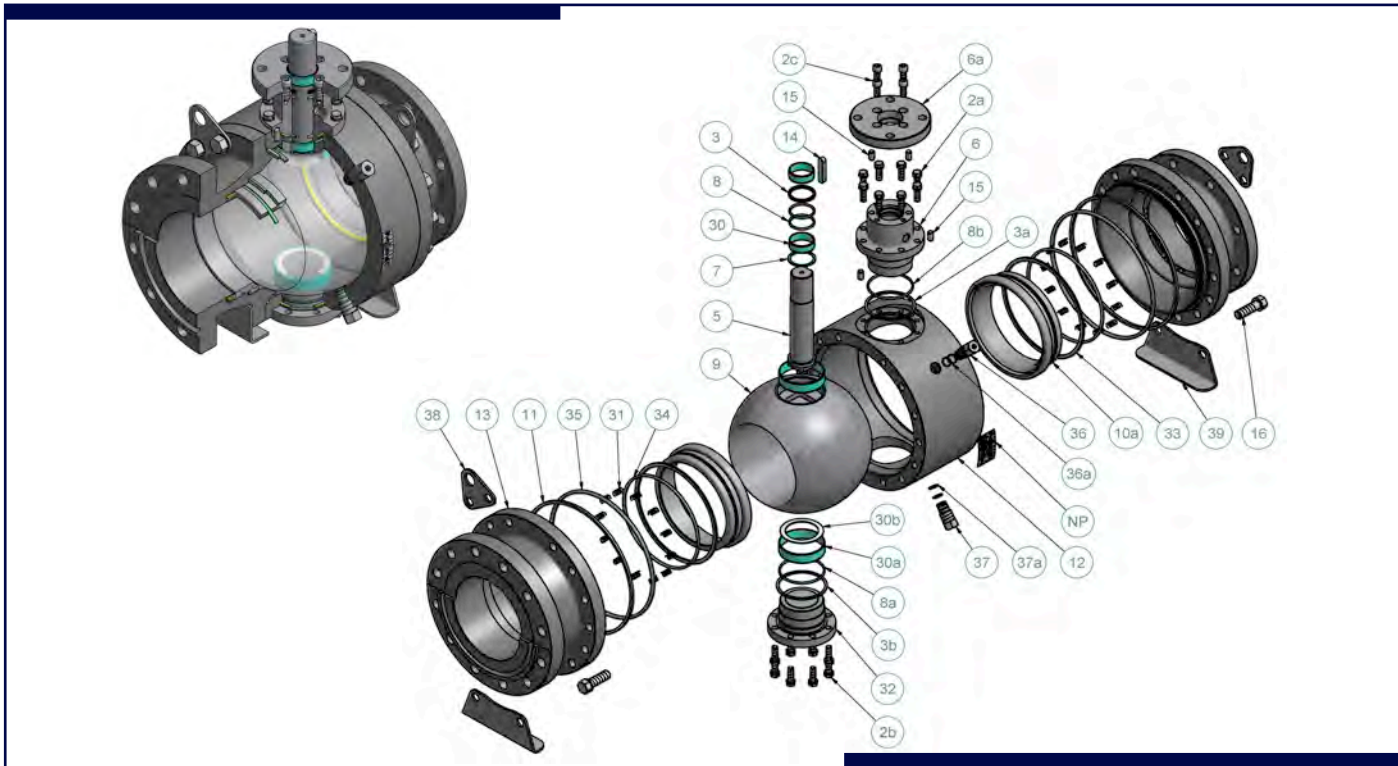
MANUAL GEAR OPERATION OR AUTOMATION							
DIMENSIONS [mm]							ISO 5211
V	L	D	G	N	T		
12	7.5	5	6.5	42	M5	F04	
15	9	7.5	8.5	50	M6	F05	
15	9	9	10	50	M6	F05	
22	16	16	19	70	M8	F07	
22	16	16	19	70	M8	F07	
24	18	22.5	24	70	M8	F07	
40	30	30	32	102	M10	F10	

REDUCED BORE													
VALVE SIZE		DIMENSIONS [mm]								WEIGHT [Kg]			
INCH	mm	A				BORE	C	E	F	RF	RTJ	SW-BW	NPT/F
		RF	RTJ	SW-BW	NPT/F								
3/4" x 1/2"	20 x 15	152	165	191	2.5	12.7	40	95	172.5	5.5	6	3.5	3.5
1" x 3/4"	25 x 20	165	178	216	5.5	19	48	102	218	7	7.5	6.5	6.5
1.1/4" x 1"	32 x 25	178	191	229	8.5	25.4	61	115	218	11	12	9.5	9.5
1.1/2" x 1"	40 x 25	191	203	241	8.5	25.4	61	115	218	13	14	9.5	9.5
2" x 1.1/2"	50 x 40	216	232	292	12	38	72	130	420	21	22	13.5	13.5
3" x 2"	80 x 50	283	298	356	-	51	88	146	420	32	34	24	-
4" x 3"	100 x 80	305	320.5	432	-	76	120	177	420	75	82	55	-
6" x 4"	150 x 100	403	419	559	-	101.6	160	350	400	120	124	112	-

MANUAL GEAR OPERATION OR AUTOMATION							
DIMENSIONS [mm]							ISO 5211
V	L	D	G	N	T		
12	7.5	5	6.5	42	M5	F04	
15	9	7.5	8.5	50	M6	F05	
15	9	9	10	50	M6	F05	
22	16	16	19	70	M8	F07	
22	16	16	19	70	M8	F07	
24	18	22.5	24	70	M8	F07	
40	30	30	32	102	M10	F10	

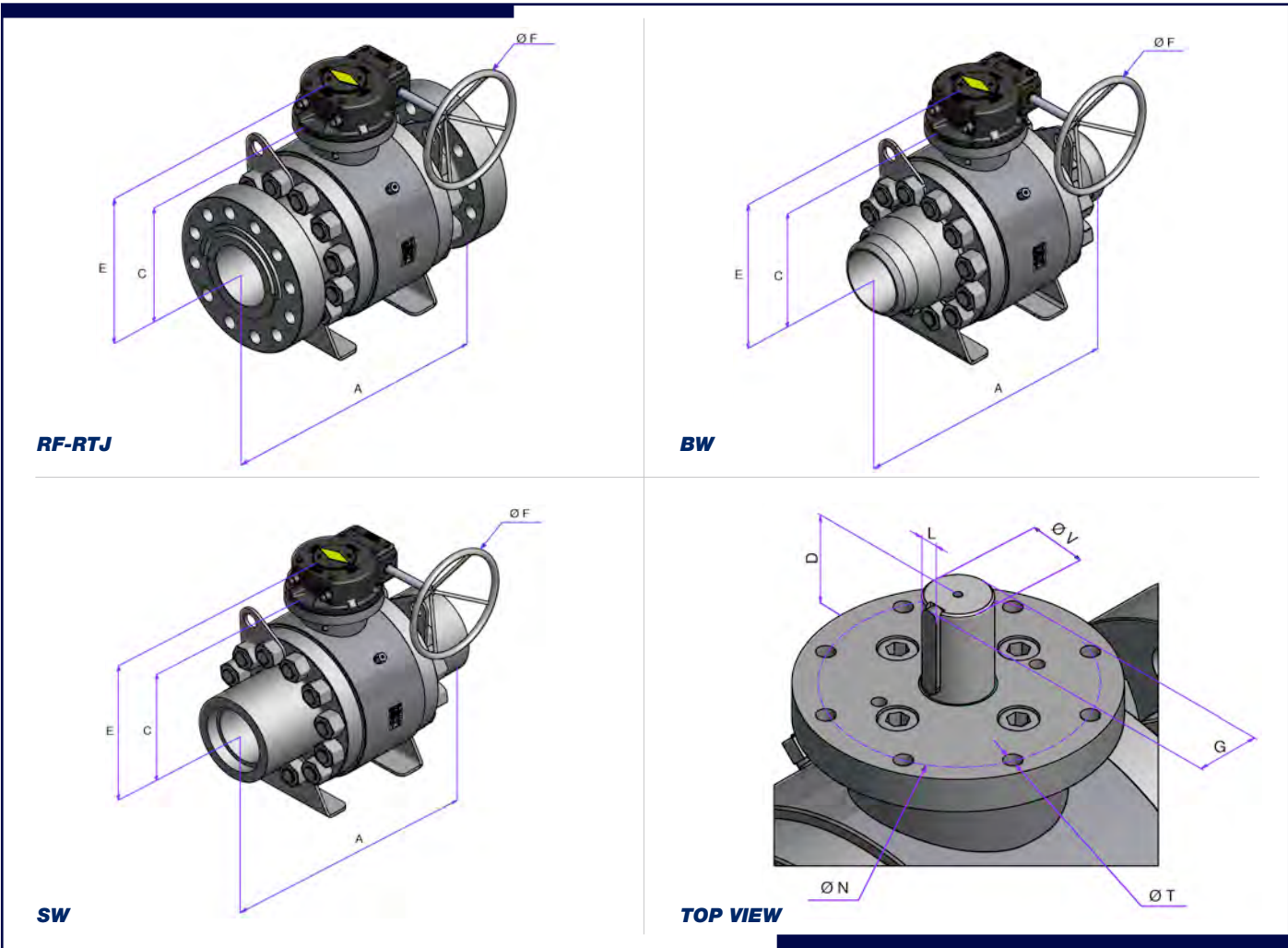
Gear Operated

Dimensions and weights are subject to change without notice.
Face to face dimensions not listed in industry standards are subject to change without notice.



ITEM NO.	Q. TY	PART NAME	MATERIAL (LF2/F316)	MATERIAL (F316/F316)	SPECIAL
NP	1	Name Plate	Stainless Steel	Stainless Steel	
2a	*****	Top Cover Screw	ASTM A193 B8	ASTM A193 B8	
2b	*****	Trunnion Screw	ASTM A193 B8	ASTM A193 B8	
2c	*****	Upper Flange Screw	ASTM A193 B8	ASTM A193 B8	
3	1	Stem Fire Seal	Graphite	Graphite	
3a	1	Top Cover Fire Seal	Graphite	Graphite	
3b	1	Trunnion Fire Seal	Graphite	Graphite	
5	1	Upper Stem	ASTM A276/479 F316	ASTM A276/479 F316	
6	1	Top Cover	ASTM A350 LF2	ASTM A276/479 F316	
6a	1	Upper Flange	ASTM A350 LF2	ASTM A276/479 F316	
7	1	Thrust Washer	Reinforced PTFE	Reinforced PTFE	
8 - 8a - 8b	*****	Stem - Trunnion Top Cover "O" Ring	VITON	VITON	
9	1	Ball	ASTM A276/479 F316	ASTM A276/479 F316	
10a	2	Seat Ring	ASTM A276/479 F316	ASTM A276/479 F316	
11	2	Adaptor Fire Seal	Graphite	Graphite	
12	1	Body	ASTM A350 LF2	ASTM A276/479 F316	
13	2	Adaptor Flange	ASTM A350 LF2	ASTM A276/479 F316	
14	1	Stem Key	Carbon Steel	Carbon Steel	
15	4	Top Cover / Upper Flange Pin	INCONEL X - 750	INCONEL X - 750	
16	*****	Adaptor Bolts	ASTM A320 L7M	ASTM A193 B8M	
30 - 30a - 30b	2+2+1	Stem - Ball - Trunnion Bearing	ASTM A276/479 F316	ASTM A276/479 F316	
31	*****	Seat Spring	INCONEL X - 750	INCONEL X - 750	
32	1	Trunnion	ASTM A276/479 F316	ASTM A276/479 F316	
33	2	Seat Fire Seal	Graphite	Graphite	
34	2	Seat "O" Ring	VITON	VITON	
35	2	Adaptor "O" Ring	VITON	VITON	
36	1	Vent valve / bleeder	ASTM A276/479 F316	ASTM A276/479 F316	
36a	2	Vent "O" Ring	VITON	VITON	
37	1	Drain Plug	ASTM A276/479 F316	ASTM A276/479 F316	
37a	1	Drain "O" Ring	VITON	VITON	
38	2	Lifting Lug	ASTM A350 LF2	ASTM A276/479 F316	
39	2	Foot	ASTM A350 LF2	ASTM A276/479 F316	

Recommended spare parts



FULL BORE												
VALVE SIZE		DIMENSIONS [mm]								WEIGHT [Kg]		
INCH	mm	A				BORE	C	E	F	RF	RTJ	SW-BW
		RF	RTJ	SW	BW							
6" x 6"	150 x 150	403	419	559	559	152	249	102	500	240	255	230
8" x 8"	200 x 200	503	517	520	520	201	291	385	600	282	300	270
10" x 10"	250 x 250	568	584	559	559	252	335	461	800	600	610	590

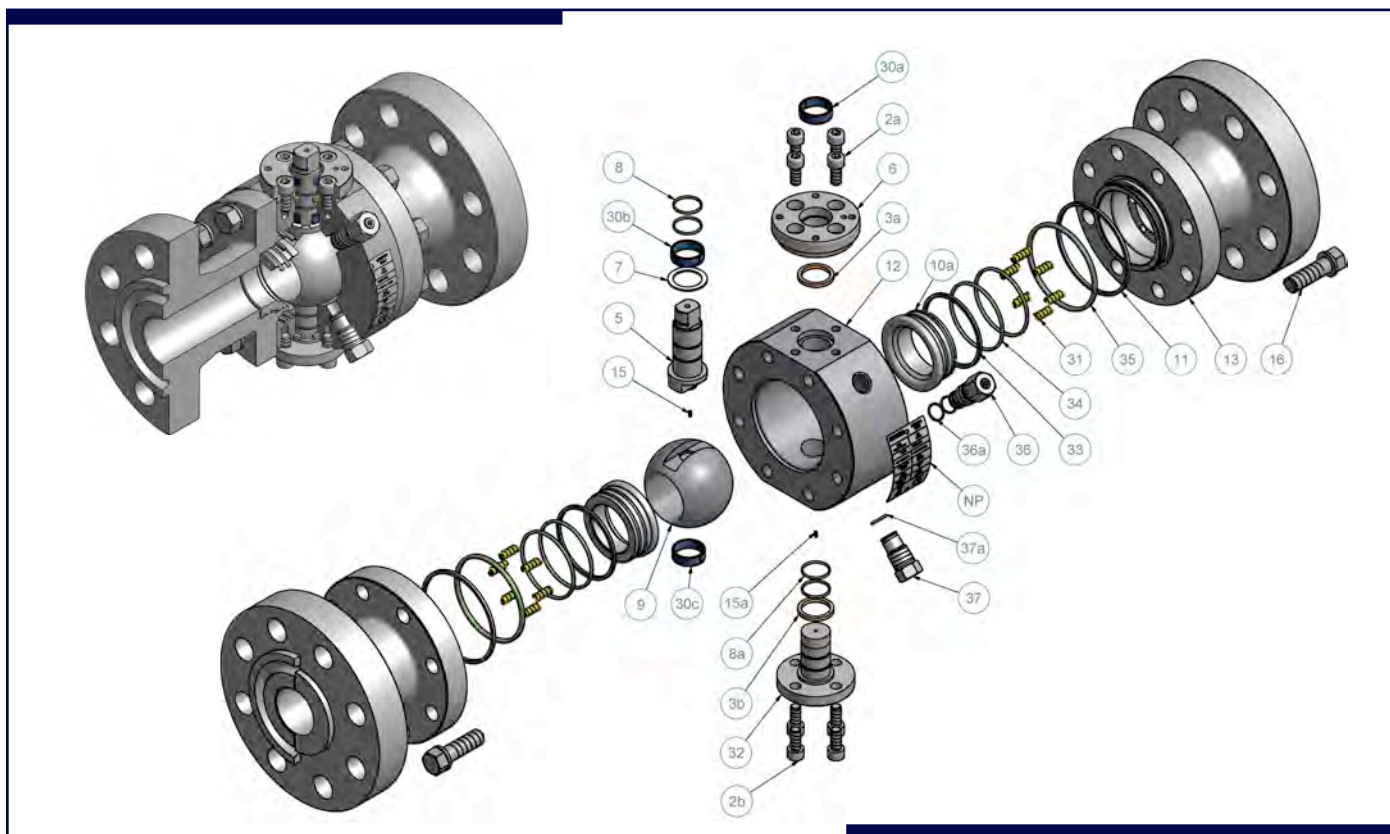
MANUAL GEAR OPERATION OR AUTOMATION							
DIMENSIONS [mm]							ISO 5211
V	L	D	G	N	T		
48	14	68	51.5	140	18	F14	
48	14	69.5	51.5	140	18	F14	
58	16	82	62	165	21	F16	

REDUCED BORE												
VALVE SIZE		DIMENSIONS [mm]								WEIGHT [Kg]		
INCH	mm	A				BORE	C	E	F	RF	RTJ	SW-BW
		RF	RTJ	SW	BW							
8" x 6"	200 x 150	502	518	660.5	660.5	152	249	102	500	260	275	240
10" x 8"	250 x 200	568	584	520	520	201	291	385	600	300	320	290
12" x 10"	300 x 250	684	664	635	635	252	335	461	800	630	640	530

MANUAL GEAR OPERATION OR AUTOMATION							
DIMENSIONS [mm]							ISO 5211
V	L	D	G	N	T		
48	14	68	51.5	140	18	F14	
48	14	69.5	51.5	140	18	F14	
58	16	82	62	165	21	F16	

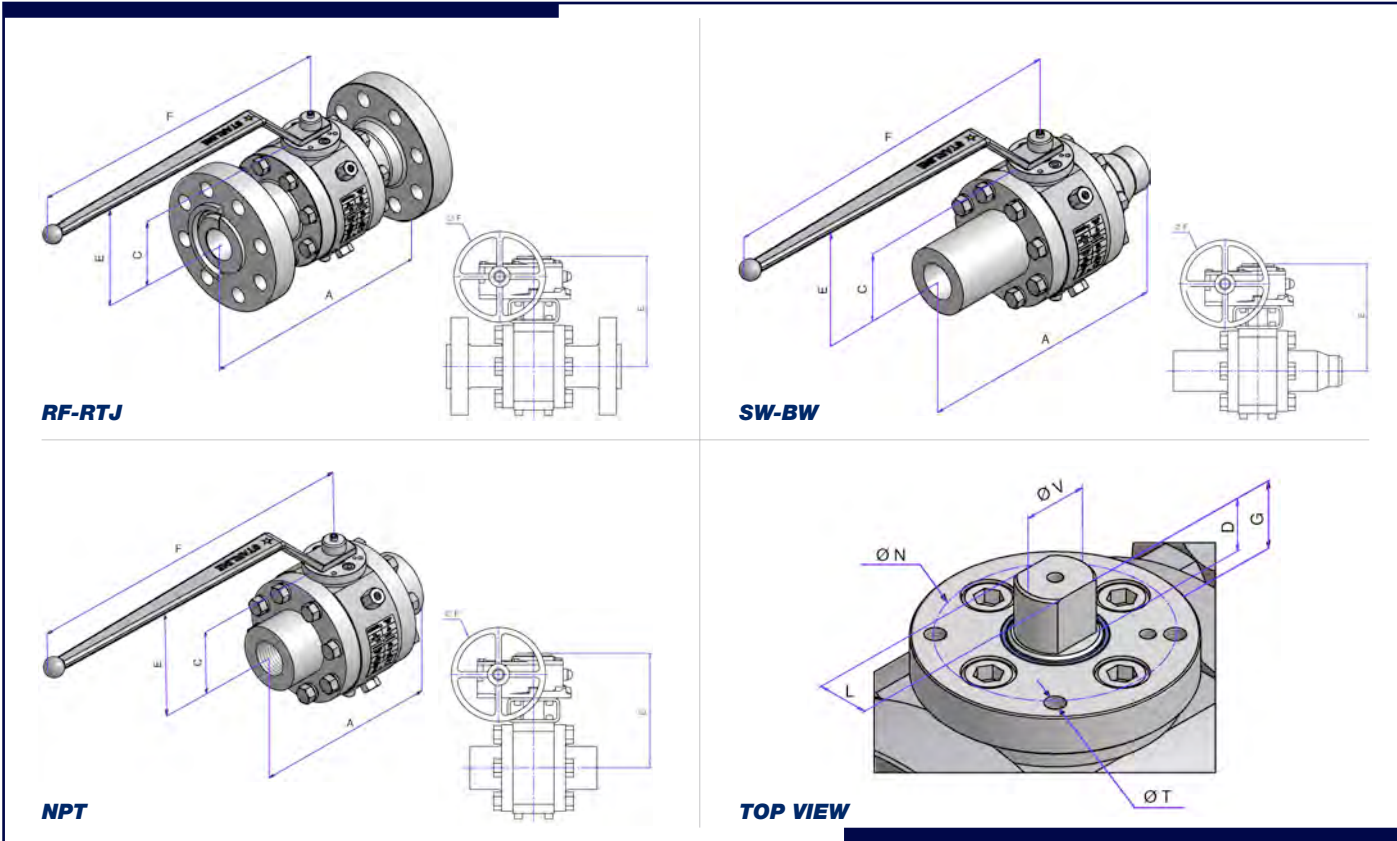
Gear Operated

Dimensions and weights are subject to change without notice.
Face to face dimensions not listed in industry standards are subject to change without notice.



ITEM NO.	Q. TY	PART NAME	MATERIAL (LF2/F316)	MATERIAL (F316/F316)	SPECIAL
NP	1	Name Plate	Stainless Steel	Stainless Steel	
2a	*****	Top Cover Screw	ASTM A193 B8	ASTM A193 B8	
2b	*****	Trunnion Screw	ASTM A193 B8	ASTM A193 B8	
3a	1	Stem Fire Seal	Graphite	Graphite	
3b	1	Trunnion Fire Seal	Graphite	Graphite	
5	1	Upper Stem	ASTM A276/479 F316	ASTM A276/479 F316	
6	1	Top Cover	ASTM A350 LF2	ASTM A276/479 F316	
7	1	Thrust Washer	Reinforced PTFE	Reinforced PTFE	
8	*****	Stem "O" Ring	VITON	VITON	
8a	*****	Trunnion "O" Ring	VITON	VITON	
9	1	Ball	ASTM A276/479 F316	ASTM A276/479 F316	
10a	2	Seat Ring	ASTM A276/479 F316	ASTM A276/479 F316	
11	2	Adaptor Fire Seal	Graphite	Graphite	
12	1	Body	ASTM A350 LF2	ASTM A276/479 F316	
13	2	Adaptor Flange	ASTM A350 LF2	ASTM A276/479 F316	
15 - 15a	2	Antistatic Spring	INCONEL X -750	INCONEL X -750	
16	*****	Adaptor Bolts	ASTM A320 L7M	ASTM A193 B8M	
30a - 30b - 30c	1+1+1	Bearing	ASTM A276/479 F316	ASTM A276/479 F316	
31	*****	Seat Spring	INCONEL X - 750	INCONEL X - 750	
32	1	Trunnion	ASTM A276/479 F316	ASTM A276/479 F316	
33	2	Seat Fire Seal	Graphite	Graphite	
34	*****	Seat "O" Ring	VITON	VITON	
35	2	Adaptor "O" Ring	VITON	VITON	
36	1	Vent valve / bleeder	ASTM A276/479 F316	ASTM A276/479 F316	
36a	2	Vent "O" Ring	VITON	VITON	
37	1	Drain Plug	ASTM A276/479 F316	ASTM A276/479 F316	
37a	1	Drain "O" Ring	VITON	VITON	

☐ Recommended spare parts



FULL BORE														
VALVE SIZE		DIMENSIONS [mm]								WEIGHT [Kg]				
INCH	mm	A				BORE	C	E	F	RF	RTJ	SW-BW	NPT/F	
		RF	RTJ	SW-BW	NPT/F									
1/2" x 1/2"	15 x 15	165	163.5	165	2.5	12.7	40	95	172.5	4.5	4.5	3	3	
3/4" x 3/4"	20 x 20	191	191	191	5.5	19	48	102	218	7	7	6	6	
1" x 1"	25 x 25	216	216	216	8.5	25.4	61	115	218	10	10	9	9	
1.1/2" x 1.1/2"	40 x 40	241	241	12	12	38	72	130	420	16	16	12.5	12.5	
2" x 2"	50 x 50	292	26.8	292	21	51	88	146	420	26	27	22	22	
3" x 3"	80 x 80	356	359	356	-	76	120	177	420	53	54	48	-	
4" x 4"	100 x 100	432	435	432	-	101.6	160	350	400	120	122	110	-	

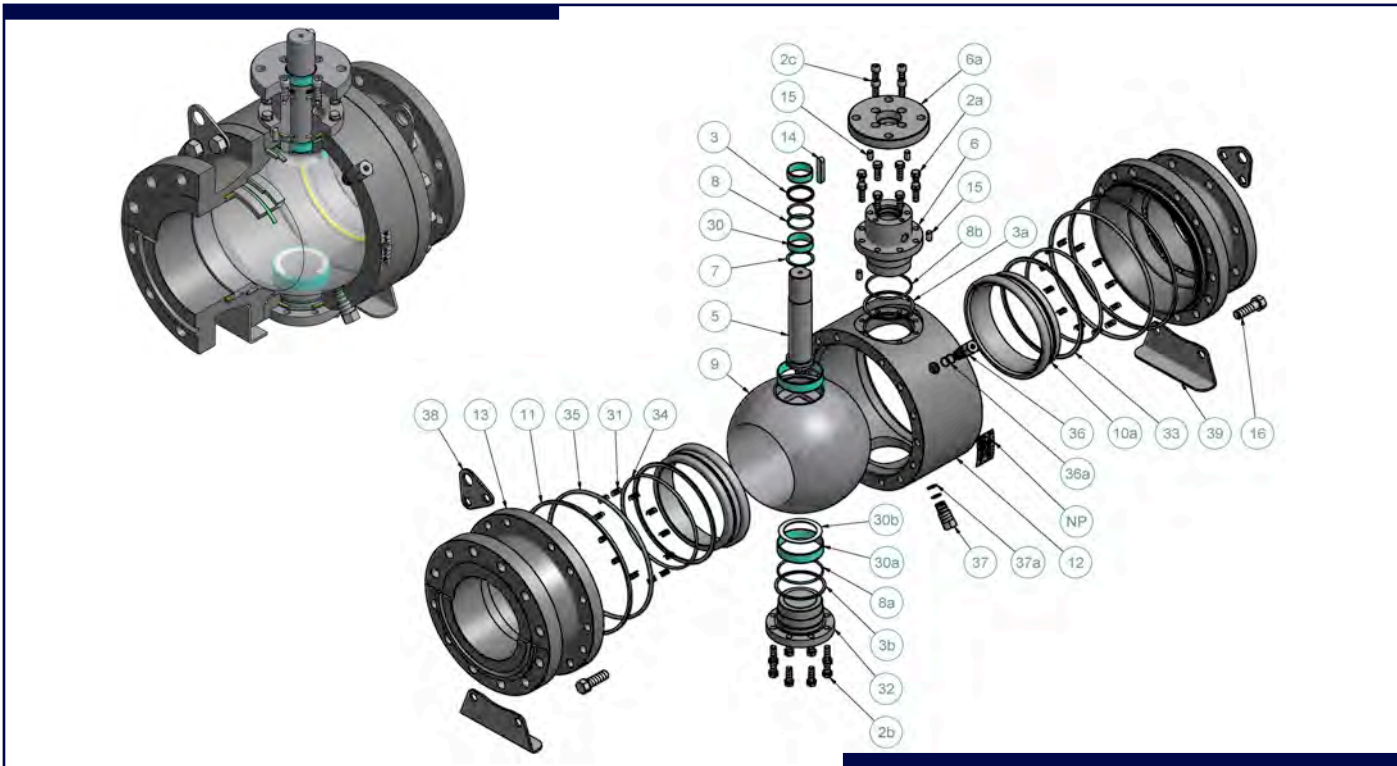
MANUAL GEAR OPERATION OR AUTOMATION							
DIMENSIONS [mm]							ISO 5211
V	L	D	G	N	T		
12	7.5	5	6.5	42	M5	F04	
15	9	7.5	8.5	50	M6	F05	
15	9	9	10	50	M6	F05	
22	16	16	19	70	M8	F07	
22	16	16	19	70	M8	F07	
24	18	22.5	24	70	M8	F07	
40	30	30	32	102	M10	F10	

REDUCED BORE														
VALVE SIZE		DIMENSIONS [mm]								WEIGHT [Kg]				
INCH	mm	A				BORE	C	E	F	RF	RTJ	SW-BW	NPT/F	
		RF	RTJ	SW-BW	NPT/F									
3/4" x 1/2"	20 x 15	191	191	191	2.5	12.7	40	95	172.5	5.5	5.5	3.5	3.5	
1" x 3/4"	25 x 20	216	216	216	5.5	19	48	102	218	8	8	6.5	6.5	
1.1/4" x 1"	32 x 25	229	229	229	8.5	25.4	61	115	218	12	12	9.5	9.5	
1.1/2" x 1"	40 x 25	241	241	241	8.5	25.4	61	115	218	15	15	9.5	9.5	
2" x 1.1/2"	50 x 40	292	28.5	292	12	38	72	130	420	25	26	13.5	13.5	
3" x 2"	80 x 50	356	359	356	-	51	88	146	420	35	36	24	-	
4" x 3"	100 x 80	436	435	432	-	76	120	177	420	65	67	55	-	
6" x 4"	150 x 100	559	562	559	-	101.6	160	350	400	160	165	112	-	

MANUAL GEAR OPERATION OR AUTOMATION							
DIMENSIONS [mm]							ISO 5211
V	L	D	G	N	T		
12	7.5	5	6.5	42	M5	F04	
15	9	7.5	8.5	50	M6	F05	
15	9	9	10	50	M6	F05	
22	16	16	19	70	M8	F07	
22	16	16	19	70	M8	F07	
24	18	22.5	24	70	M8	F07	
40	30	30	32	102	M10	F10	

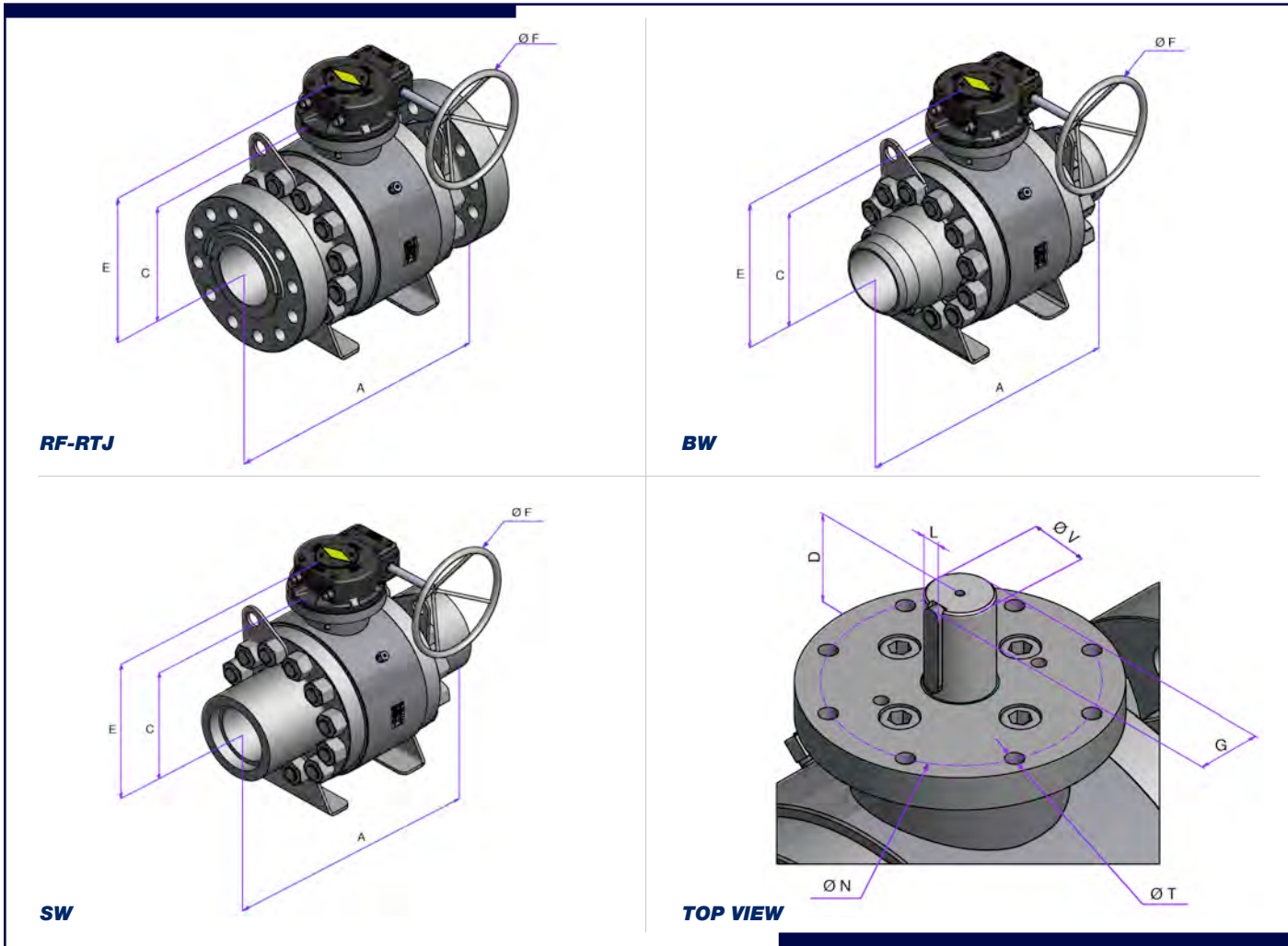
Gear Operated

Dimensions and weights are subject to change without notice.
Face to face dimensions not listed in industry standards are subject to change without notice.



ITEM NO.	Q.TY	PART NAME	MATERIAL (LF2/F316)	MATERIAL (F316/F316)	SPECIAL
NP	1	Name Plate	Stainless Steel	Stainless Steel	
2a	*****	Top Cover Screw	ASTM A193 B8	ASTM A193 B8	
2b	*****	Trunnion Screw	ASTM A193 B8	ASTM A193 B8	
2c	*****	Upper Flange Screw	ASTM A193 B8	ASTM A193 B8	
3	1	Stem Fire Seal	Graphite	Graphite	
3a	1	Top Cover Fire Seal	Graphite	Graphite	
3b	1	Trunnion Fire Seal	Graphite	Graphite	
5	1	Upper Stem	ASTM A276/479 F316	ASTM A276/479 F316	
6	1	Top Cover	ASTM A350 LF2	ASTM A276/479 F316	
6a	1	Upper Flange	ASTM A350 LF2	ASTM A276/479 F316	
7	1	Thrust Washer	Reinforced PTFE	Reinforced PTFE	
8 - 8a - 8b	*****	Stem - Trunnion Top Cover "O" Ring	VITON	VITON	
9	1	Ball	ASTM A276/479 F316	ASTM A276/479 F316	
10a	2	Seat Ring	ASTM A276/479 F316	ASTM A276/479 F316	
11	2	Adaptor Fire Seal	Graphite	Graphite	
12	1	Body	ASTM A350 LF2	ASTM A276/479 F316	
13	2	Adaptor Flange	ASTM A350 LF2	ASTM A276/479 F316	
14	1	Stem Key	Carbon Steel	Carbon Steel	
15	4	Top Cover / Upper Flange Pin	INCONEL X - 750	INCONEL X - 750	
16	*****	Adaptor Bolts	ASTM A320 L7M	ASTM A193 B8M	
30 - 30a - 30b	2+2+1	Stem - Ball - Trunnion Bearing	ASTM A276/479 F316	ASTM A276/479 F316	
31	*****	Seat Spring	INCONEL X - 750	INCONEL X - 750	
32	1	Trunnion	ASTM A276/479 F316	ASTM A276/479 F316	
33	2	Seat Fire Seal	Graphite	Graphite	
34	2	Seat "O" Ring	VITON	VITON	
35	2	Adaptor "O" Ring	VITON	VITON	
36	1	Vent valve / bleeder	ASTM A276/479 F316	ASTM A276/479 F316	
36a	2	Vent "O" Ring	VITON	VITON	
37	1	Drain Plug	ASTM A276/479 F316	ASTM A276/479 F316	
37a	1	Drain "O" Ring	VITON	VITON	
38	2	Lifting Lug	ASTM A350 LF2	ASTM A276/479 F316	
39	2	Foot	ASTM A350 LF2	ASTM A276/479 F316	

Recommended spare parts



FULL BORE												
VALVE SIZE		DIMENSIONS [mm]								WEIGHT [Kg]		
INCH	mm	A				BORE	C	E	F	RF	RTJ	SW-BW
		RF	RTJ	SW	BW							
6" x 6"	150 x 150	559	562	559	559	152	249	340	500	255	263	230
8" x 8"	200 x 200	660.5	664	660	660	200	293.5	417	800	462	475	455
10" x 10"	250 x 250	788	791	787	787	252	332	528	800	715	725	690

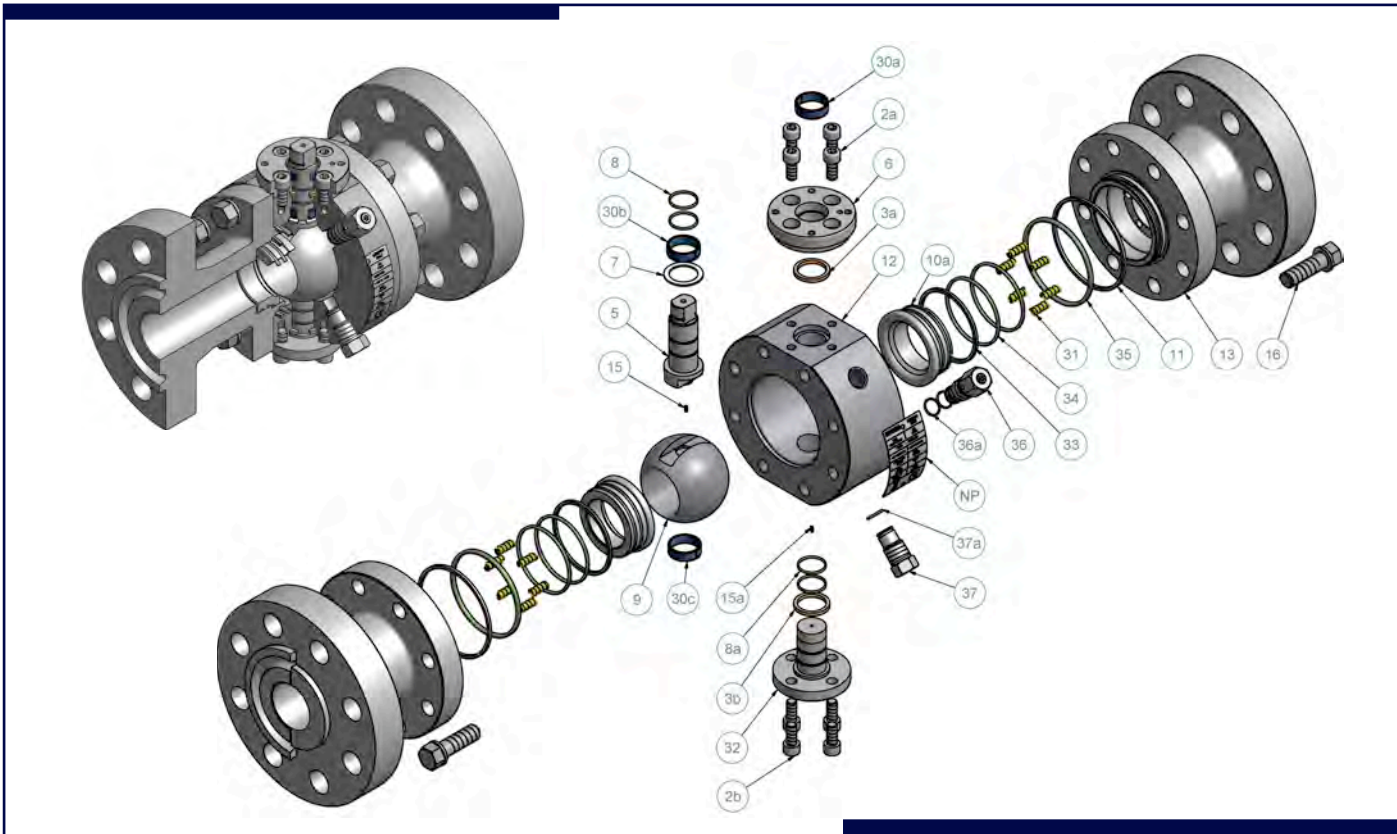
MANUAL GEAR OPERATION OR AUTOMATION							
DIMENSIONS [mm]							ISO 5211
V	L	D	G	N	T		
48	14	68	51.5	140	18	F14	
48	14	81.5	51.5	254	18	F25	
58	16	85	62	254	18	F25	

REDUCED BORE												
VALVE SIZE		DIMENSIONS [mm]								WEIGHT [Kg]		
INCH	mm	A				BORE	C	E	F	RF	RTJ	SW-BW
		RF	RTJ	SW	BW							
8" x 6"	200 x 150	660.5	664	660.5	660.5	152	249	340	500	287	295	250
10" x 8"	250 x 200	788	791	787	787	200	293.5	417	800	528	541	475
12" x 10"	300 x 250	838	841	838	838	252	332	528	800	750	760	720

MANUAL GEAR OPERATION OR AUTOMATION							
DIMENSIONS [mm]							ISO 5211
V	L	D	G	N	T		
48	14	68	51.5	140	18	F14	
48	14	81.5	51.5	254	18	F25	
58	16	85	62	254	18	F25	

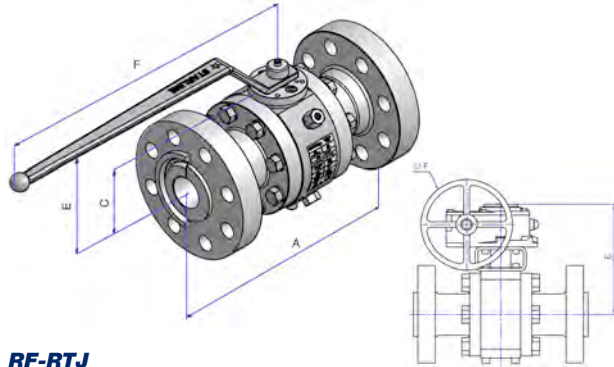
Gear Operated

Dimensions and weights are subject to change without notice.
Face to face dimensions not listed in industry standards are subject to change without notice.

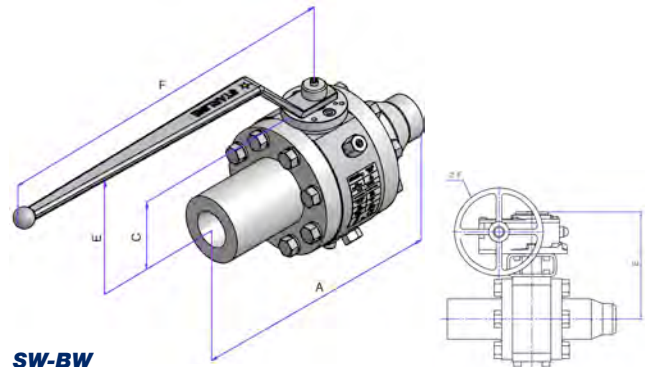


ITEM NO.	Q. TY	PART NAME	MATERIAL (LF2/F316)	MATERIAL (F316/F316)	SPECIAL
NP	1	Name Plate	Stainless Steel	Stainless Steel	
2a	*****	Top Cover Screw	ASTM A193 B8	ASTM A193 B8	
2b	*****	Trunnion Screw	ASTM A193 B8	ASTM A193 B8	
3a	1	Stem Fire Seal	Graphite	Graphite	
3b	1	Trunnion Fire Seal	Graphite	Graphite	
5	1	Upper Stem	ASTM A276/479 F316	ASTM A276/479 F316	
6	1	Top Cover	ASTM A350 LF2	ASTM A276/479 F316	
7	1	Thrust Washer	Reinforced PTFE	Reinforced PTFE	
8	*****	Stem "O" Ring	VITON	VITON	
8a	*****	Trunnion "O" Ring	VITON	VITON	
9	1	Ball	ASTM A276/479 F316	ASTM A276/479 F316	
10a	2	Seat Ring	ASTM A276/479 F316	ASTM A276/479 F316	
11	2	Adaptor Fire Seal	Graphite	Graphite	
12	1	Body	ASTM A350 LF2	ASTM A276/479 F316	
13	2	Adaptor Flange	ASTM A350 LF2	ASTM A276/479 F316	
15 - 15a	2	Antistatic Spring	INCONEL X -750	INCONEL X -750	
16	*****	Adaptor Bolts	ASTM A320 L7M	ASTM A193 B8M	
30a - 30b - 30c	1+1+1	Bearing	ASTM A276/479 F316	ASTM A276/479 F316	
31	*****	Seat Spring	INCONEL X - 750	INCONEL X - 750	
32	1	Trunnion	ASTM A276/479 F316	ASTM A276/479 F316	
33	2	Seat Fire Seal	Graphite	Graphite	
34	*****	Seat "O" Ring	VITON	VITON	
35	2	Adaptor "O" Ring	VITON	VITON	
36	1	Vent valve / bleeder	ASTM A276/479 F316	ASTM A276/479 F316	
36a	2	Vent "O" Ring	VITON	VITON	
37	1	Drain Plug	ASTM A276/479 F316	ASTM A276/479 F316	
37a	1	Drain "O" Ring	VITON	VITON	

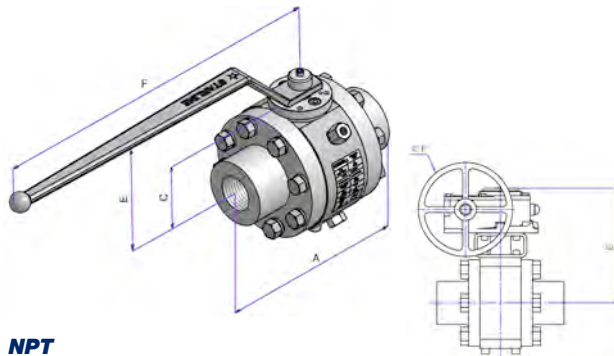
Recommended spare parts



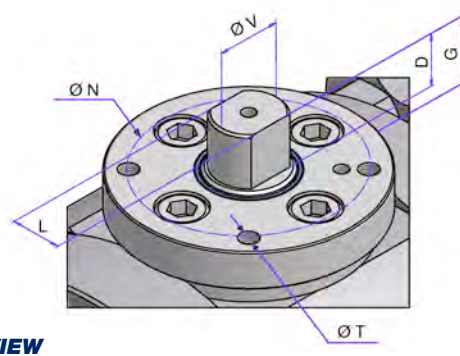
RF-RTJ



SW-BW



NPT



TOP VIEW

FULL BORE													
VALVE SIZE		DIMENSIONS [mm]								WEIGHT [Kg]			
INCH	mm	A				BORE	C	E	F	RF	RTJ	SW-BW	NPT/F
		RF	RTJ	SW-BW	NPT/F								
1/2" x 1/2"	15 x 15	216	216	216	3	12.7	40	95	172.5	5	5	3.5	3.5
3/4" x 3/4"	20 x 20	229	229	229	8.5	19	48	102	218	11	11	9.5	9.5
1" x 1"	25 x 25	254	254	254	14	25.4	61	115	218	18	18	15	15
1.1/2" x 1.1/2"	40 x 40	305	305	305	27	38	90	147	420	34	34	30	30
2" x 2"	50 x 50	368	371	368	40	51	100	158	420	50	50	45	45
3" x 3"	80 x 80	381	384	381	-	76	148	335	400	85	86	50	-
4" x 4"	100 x 100	457	460	457	-	101.6	188	380	400	170	175	150	-

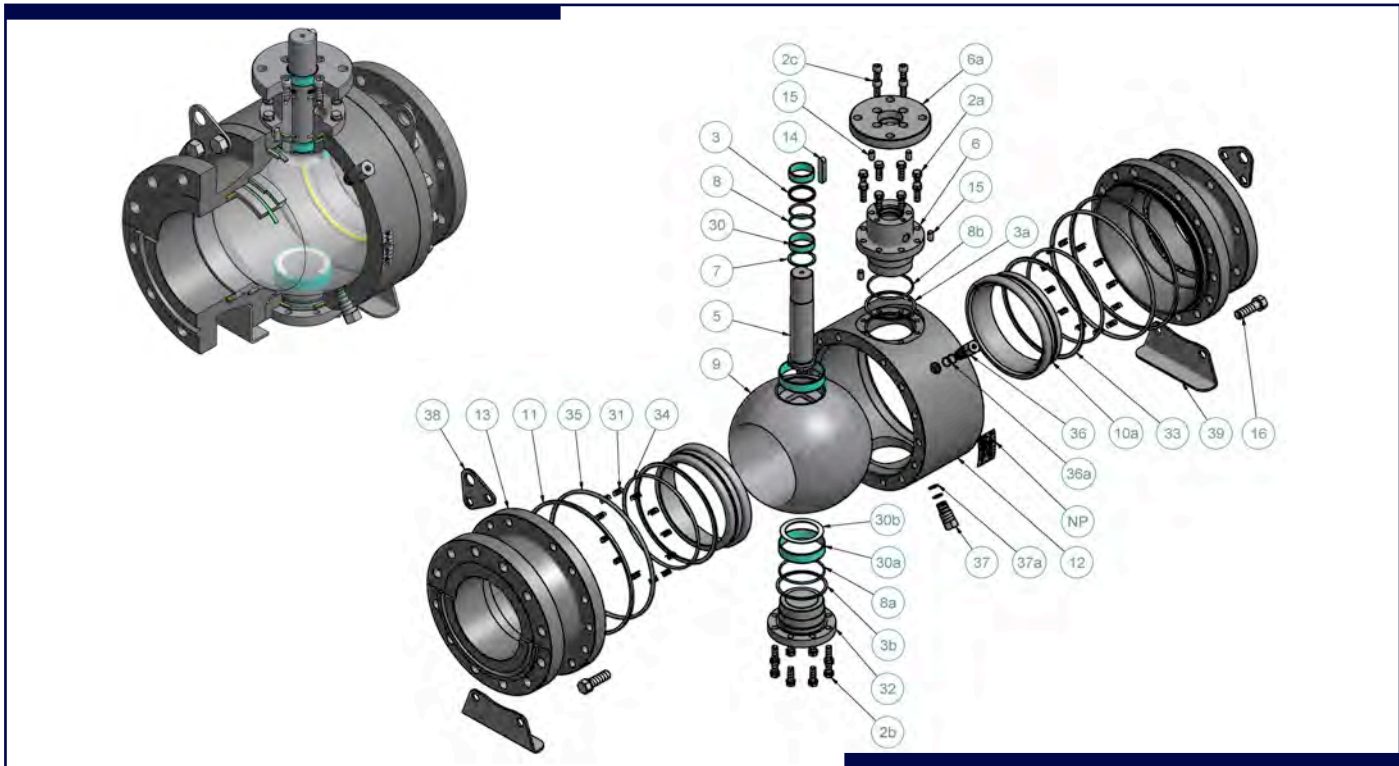
MANUAL GEAR OPERATION OR AUTOMATION							
DIMENSIONS [mm]							ISO 5211
V	L	D	G	N	T		
12	7.5	5	6.5	42	M5	F04	
15	9	7.5	8.5	50	M6	F05	
15	9	9	10	50	M6	F05	
22	16	14.5	16	70	M8	F07	
24	18	19	22	70	M8	F07	
40	30	30	32	102	M10	F10	
55	36	40	42	125	M12	F12	

REDUCED BORE													
VALVE SIZE		DIMENSIONS [mm]								WEIGHT [Kg]			
INCH	mm	A				BORE	C	E	F	RF	RTJ	SW-BW	NPT/F
		RF	RTJ	SW-BW	NPT/F								
3/4" x 1/2"	20 x 15	229	229	229	3.5	12.7	40	95	172.5	6.5	6.5	4	4
1" x 3/4"	25 x 20	254	254	254	10	19	48	102	218	13	13	11	11
1.1/4" x 1"	32 x 25	280	280	280	14	25.4	61	115	218	22	22	16	16
1.1/2" x 1"	40 x 25	305	305	305	14	25.4	61	115	218	25	25	17	17
2" x 1.1/2"	50 x 40	368	371	28	27	38	90	147	420	40	41	33	33
3" x 2"	80 x 50	381	384	384	-	51	100	158	420	55	56	50	-
4" x 3"	100 x 80	457	460	457	-	76	148	335	400	110	115	60	-
6" x 4"	150 x 100	609.5	612.5	609.5	-	101.6	188	380	400	205	210	145	-

MANUAL GEAR OPERATION OR AUTOMATION							
DIMENSIONS [mm]							ISO 5211
V	L	D	G	N	T		
12	7.5	5	6.5	42	M5	F04	
15	9	7.5	8.5	50	M6	F05	
15	9	9	10	50	M6	F05	
22	16	14.5	16	70	M8	F07	
24	18	19	22	70	M8	F07	
40	30	30	32	102	M10	F10	
55	36	40	42	125	M12	F12	

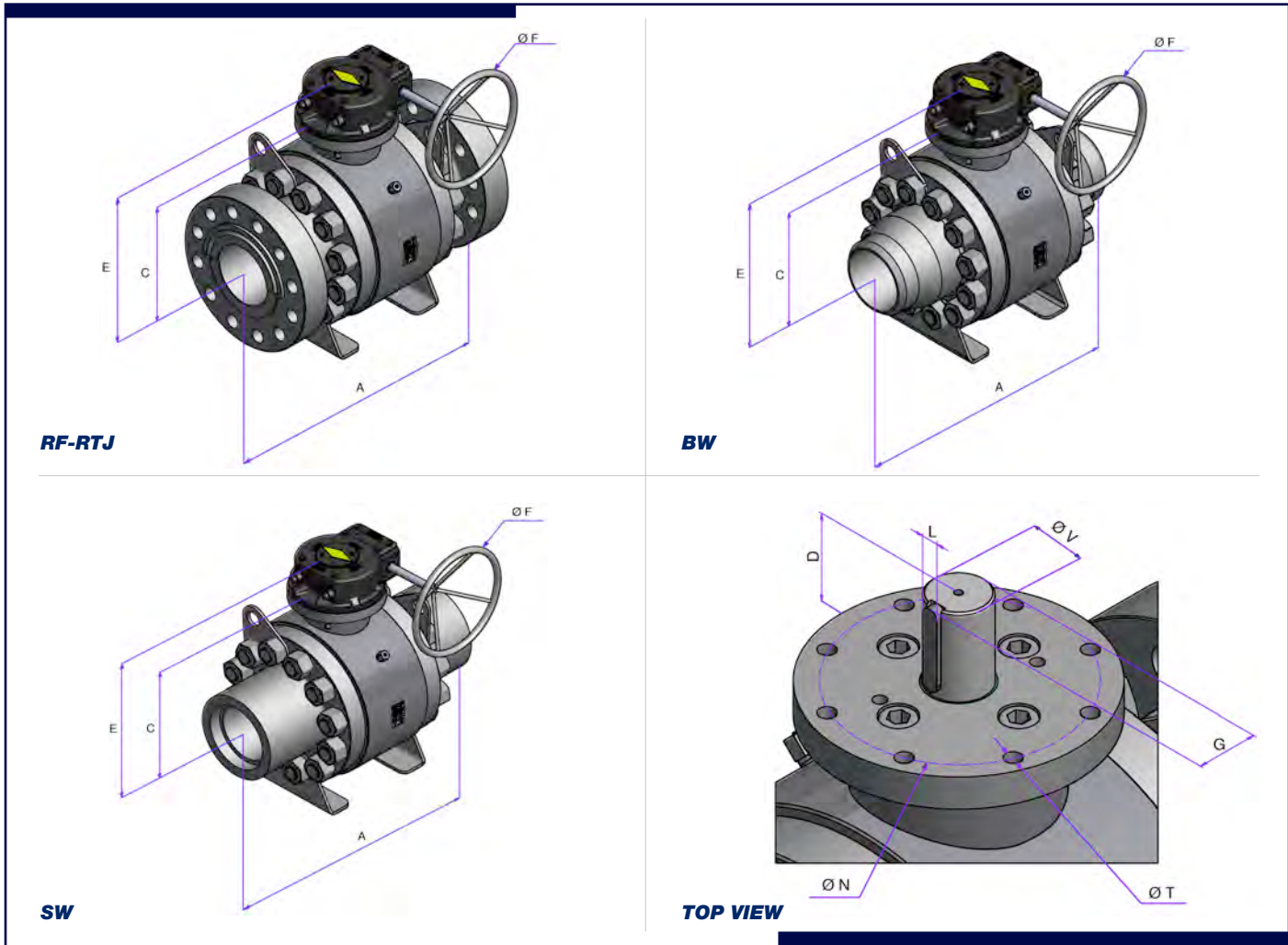
Gear Operated

Dimensions and weights are subject to change without notice.
Face to face dimensions not listed in industry standards are subject to change without notice.



ITEM NO.	Q.TY	PART NAME	MATERIAL (LF2/F316)	MATERIAL (F316/F316)	SPECIAL
NP	1	Name Plate	Stainless Steel	Stainless Steel	
2a	*****	Top Cover Screw	ASTM A193 B8	ASTM A193 B8	
2b	*****	Trunnion Screw	ASTM A193 B8	ASTM A193 B8	
2c	*****	Upper Flange Screw	ASTM A193 B8	ASTM A193 B8	
3	1	Stem Fire Seal	Graphite	Graphite	
3a	1	Top Cover Fire Seal	Graphite	Graphite	
3b	1	Trunnion Fire Seal	Graphite	Graphite	
5	1	Upper Stem	ASTM A276/479 F316	ASTM A276/479 F316	
6	1	Top Cover	ASTM A350 LF2	ASTM A276/479 F316	
6a	1	Upper Flange	ASTM A350 LF2	ASTM A276/479 F316	
7	1	Thrust Washer	Reinforced PTFE	Reinforced PTFE	
8 - 8a - 8b	*****	Stem - Trunnion Top Cover "O" Ring	VITON	VITON	
9	1	Ball	ASTM A276/479 F316	ASTM A276/479 F316	
10a	2	Seat Ring	ASTM A276/479 F316	ASTM A276/479 F316	
11	2	Adaptor Fire Seal	Graphite	Graphite	
12	1	Body	ASTM A350 LF2	ASTM A276/479 F316	
13	2	Adaptor Flange	ASTM A350 LF2	ASTM A276/479 F316	
14	1	Stem Key	Carbon Steel	Carbon Steel	
15	4	Top Cover / Upper Flange Pin	INCONEL X - 750	INCONEL X - 750	
16	*****	Adaptor Bolts	ASTM A320 L7M	ASTM A193 B8M	
30 - 30a - 30b	2+2+1	Stem - Ball - Trunnion Bearing	ASTM A276/479 F316	ASTM A276/479 F316	
31	*****	Seat Spring	INCONEL X - 750	INCONEL X - 750	
32	1	Trunnion	ASTM A276/479 F316	ASTM A276/479 F316	
33	2	Seat Fire Seal	Graphite	Graphite	
34	2	Seat "O" Ring	VITON	VITON	
35	2	Adaptor "O" Ring	VITON	VITON	
36	1	Vent valve / bleeder	ASTM A276/479 F316	ASTM A276/479 F316	
36a	2	Vent "O" Ring	VITON	VITON	
37	1	Drain Plug	ASTM A276/479 F316	ASTM A276/479 F316	
37a	1	Drain "O" Ring	VITON	VITON	
38	2	Lifting Lug	ASTM A350 LF2	ASTM A276/479 F316	
39	2	Foot	ASTM A350 LF2	ASTM A276/479 F316	

Recommended spare parts



FULL BORE												
VALVE SIZE		DIMENSIONS [mm]								WEIGHT [Kg]		
INCH	mm	A				BORE	C	E	F	RF	RTJ	SW-BW
		RF	RTJ	SW	BW							
6" x 6"	150 x 150	609.5	612.5	609.5	609.5	150	266	459.5	500	343	350	340
8" x 8"	200 x 200	737	740	737	737	201	309	433	800	610	620	605

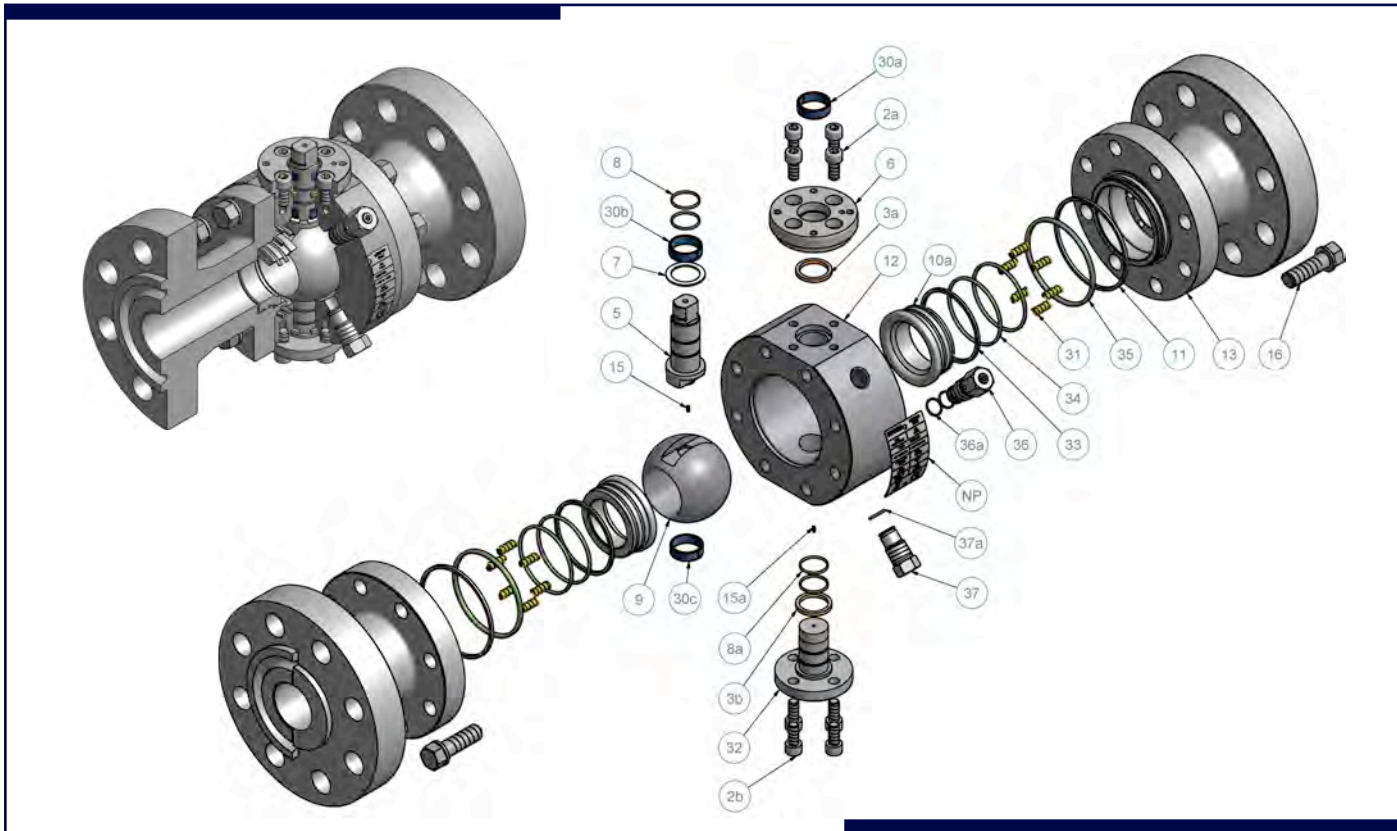
MANUAL GEAR OPERATION OR AUTOMATION							
DIMENSIONS [mm]							ISO 5211
V	L	D	G	N	T		
48	14	68	53	140	18	F14	
50	14	83.5	53	254	18	F25	

REDUCED BORE												
VALVE SIZE		DIMENSIONS [mm]								WEIGHT [Kg]		
INCH	mm	A				BORE	C	E	F	RF	RTJ	SW-BW
		RF	RTJ	SW	BW							
8" x 6"	200 x 150	737	740	737	737	150	266	439.5	500	425	430	420
10" x 8"	250 x 200	838	941	838	838	201	309	433	800	670	680	650

MANUAL GEAR OPERATION OR AUTOMATION							
DIMENSIONS [mm]							ISO 5211
V	L	D	G	N	T		
48	14	68	53	140	18	F14	
50	14	83.5	53	254	18	F25	

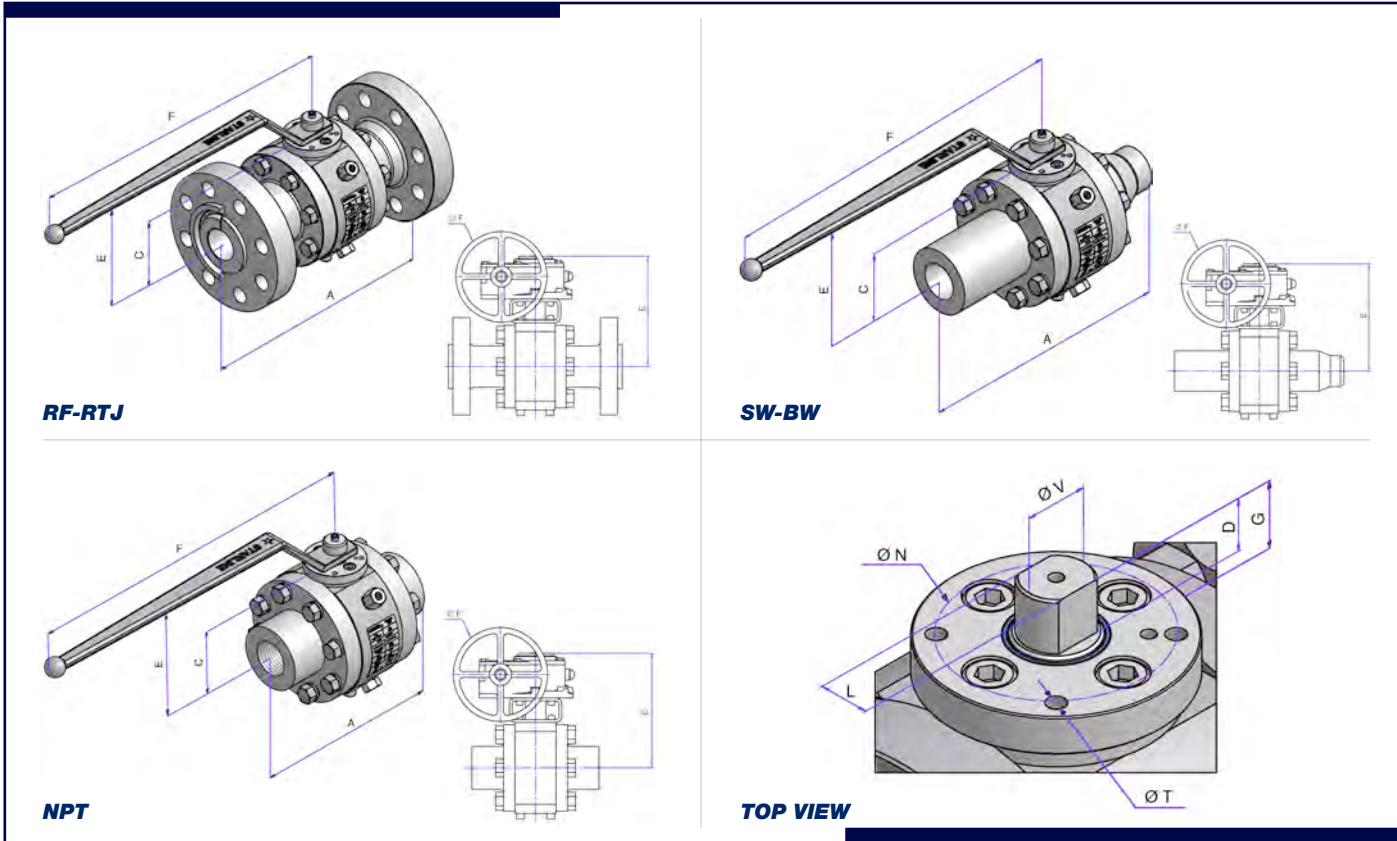
Gear Operated

Dimensions and weights are subject to change without notice.
Face to face dimensions not listed in industry standards are subject to change without notice.



ITEM NO.	Q. TY	PART NAME	MATERIAL (LF2/F316)	MATERIAL (F316/F316)	SPECIAL
NP	1	Name Plate	Stainless Steel	Stainless Steel	
2a	*****	Top Cover Screw	ASTM A193 B8	ASTM A193 B8	
2b	*****	Trunnion Screw	ASTM A193 B8	ASTM A193 B8	
3a	1	Stem Fire Seal	Graphite	Graphite	
3b	1	Trunnion Fire Seal	Graphite	Graphite	
5	1	Upper Stem	ASTM A276/479 F316	ASTM A276/479 F316	
6	1	Top Cover	ASTM A350 LF2	ASTM A276/479 F316	
7	1	Thrust Washer	Reinforced PTFE	Reinforced PTFE	
8	*****	Stem "O" Ring	VITON	VITON	
8a	*****	Trunnion "O" Ring	VITON	VITON	
9	1	Ball	ASTM A276/479 F316	ASTM A276/479 F316	
10a	2	Seat Ring	ASTM A276/479 F316	ASTM A276/479 F316	
11	2	Adaptor Fire Seal	Graphite	Graphite	
12	1	Body	ASTM A350 LF2	ASTM A276/479 F316	
13	2	Adaptor Flange	ASTM A350 LF2	ASTM A276/479 F316	
15 - 15a	2	Antistatic Spring	INCONEL X - 750	INCONEL X - 750	
16	*****	Adaptor Bolts	ASTM A320 L7M	ASTM A193 B8M	
30a - 30b - 30c	1+1+1	Bearing	ASTM A276/479 F316	ASTM A276/479 F316	
31	*****	Seat Spring	INCONEL X - 750	INCONEL X - 750	
32	1	Trunnion	ASTM A276/479 F316	ASTM A276/479 F316	
33	2	Seat Fire Seal	Graphite	Graphite	
34	*****	Seat "O" Ring	VITON	VITON	
35	2	Adaptor "O" Ring	VITON	VITON	
36	1	Vent valve / bleeder	ASTM A276/479 F316	ASTM A276/479 F316	
36a	2	Vent "O" Ring	VITON	VITON	
37	1	Drain Plug	ASTM A276/479 F316	ASTM A276/479 F316	
37a	1	Drain "O" Ring	VITON	VITON	

Recommended spare parts



FULL BORE													
VALVE SIZE		DIMENSIONS [mm]								WEIGHT [Kg]			
INCH	mm	A				BORE	C	E	F	RF	RTJ	SW-BW	NPT/F
		RF	RTJ	SW-BW	NPT/F								
1/2" x 1/2"	15 x 15	216	216	216	3	12.7	40	95	172.5	5	5	3.5	3.5
3/4" x 3/4"	20 x 20	229	229	229	8.5	19	48	102	218	11	11	9.5	9.5
1" x 1"	25 x 25	254	254	254	14	25.4	61	115	218	18	18	15	15
1.1/2" x 1.1/2"	40 x 40	305	305	305	27	38	90	147	420	34	34	30	30
2" x 2"	50 x 50	368	371	368	40	51	100	158	420	50	50	45	45
3" x 3"	80 x 80	470	473	470	-	76	148	335	400	90	90	60	-
4" x 4"	100 x 100	546	549	160	-	101.6	188	385	500	185	190	150	-

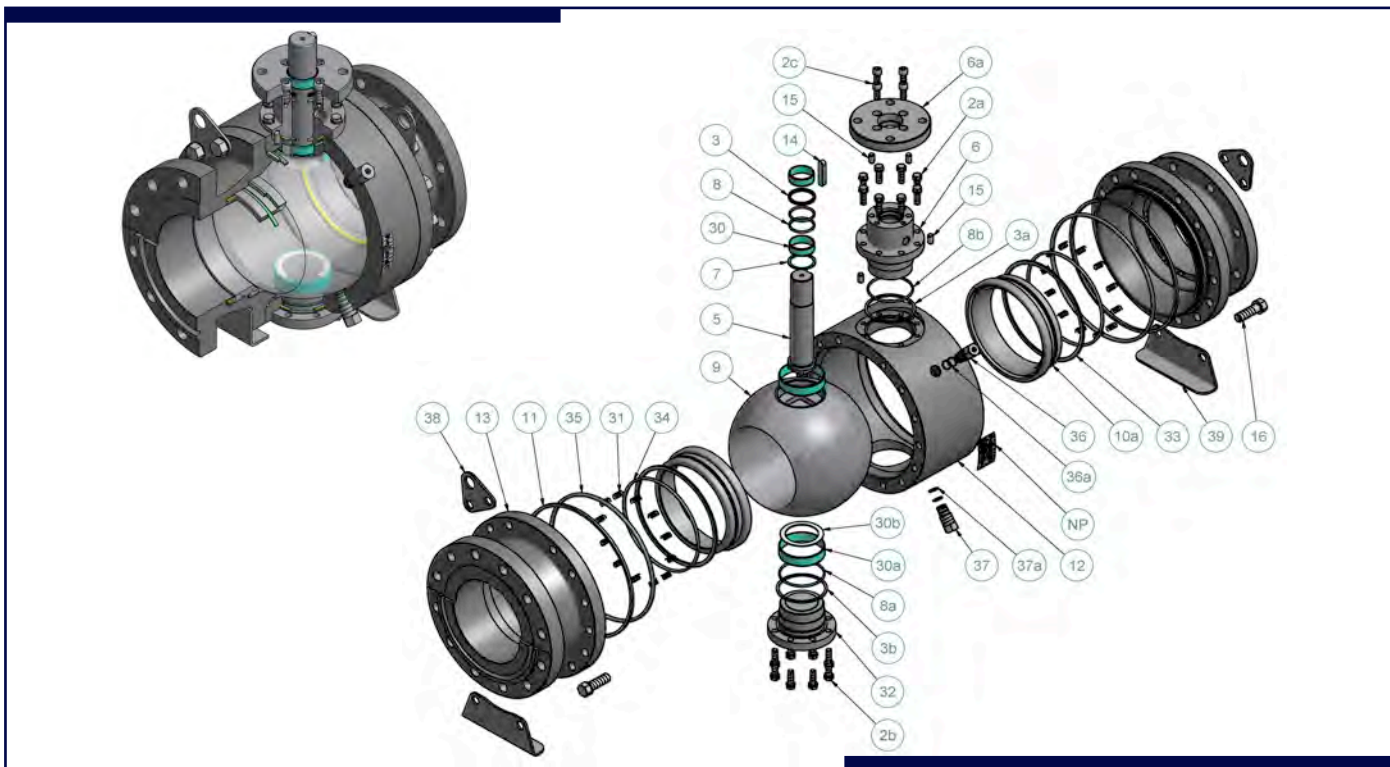
MANUAL GEAR OPERATION OR AUTOMATION							
DIMENSIONS [mm]							ISO 5211
V	L	D	G	N	T		
12	7.5	5	6.5	42	M5	F04	
15	9	7.5	8.5	50	M6	F05	
15	9	9	10	50	M6	F05	
22	16	14.5	16	70	M8	F07	
24	18	19	22	70	M8	F07	
40	30	30	32	102	M10	F10	
55	36	40	42	125	M12	F12	

REDUCED BORE													
VALVE SIZE		DIMENSIONS [mm]								WEIGHT [Kg]			
INCH	mm	A				BORE	C	E	F	RF	RTJ	SW-BW	NPT/F
		RF	RTJ	SW-BW	NPT/F								
3/4" x 1/2"	20 x 15	229	229	229	3.5	12.7	40	95	172.5	6.5	6.5	4	4
1" x 3/4"	25 x 20	254	254	254	14.5	19	48	102	218	13	13	11	11
1.1/4" x 1"	32 x 25	280	280	280	170	25.4	61	115	218	22	22	16	16
1.1/2" x 1"	40 x 25	305	305	305	170	25.4	61	115	218	25	25	17	17
2" x 1.1/2"	50 x 40	368	371	368	220	38	90	147	420	40	40	33	33
3" x 2"	80 x 50	470	473	470	-	51	100	158	420	68	69	48	-
4" x 3"	100 x 80	546	549	546	-	76	148	335	400	120	122	75	-
6" x 4"	150 x 100	705	711	705	-	101.6	188	385	500	230	235	155	-

MANUAL GEAR OPERATION OR AUTOMATION							
DIMENSIONS [mm]							ISO 5211
V	L	D	G	N	T		
12	7.5	5	6.5	42	M5	F04	
15	9	7.5	8.5	50	M6	F05	
15	9	9	10	50	M6	F05	
15	9	9	10	50	M6	F05	
22	16	14.5	16	70	M8	F07	
24	18	19	22	70	M8	F07	
40	30	30	32	102	M10	F10	
55	36	40	42	125	M12	F12	

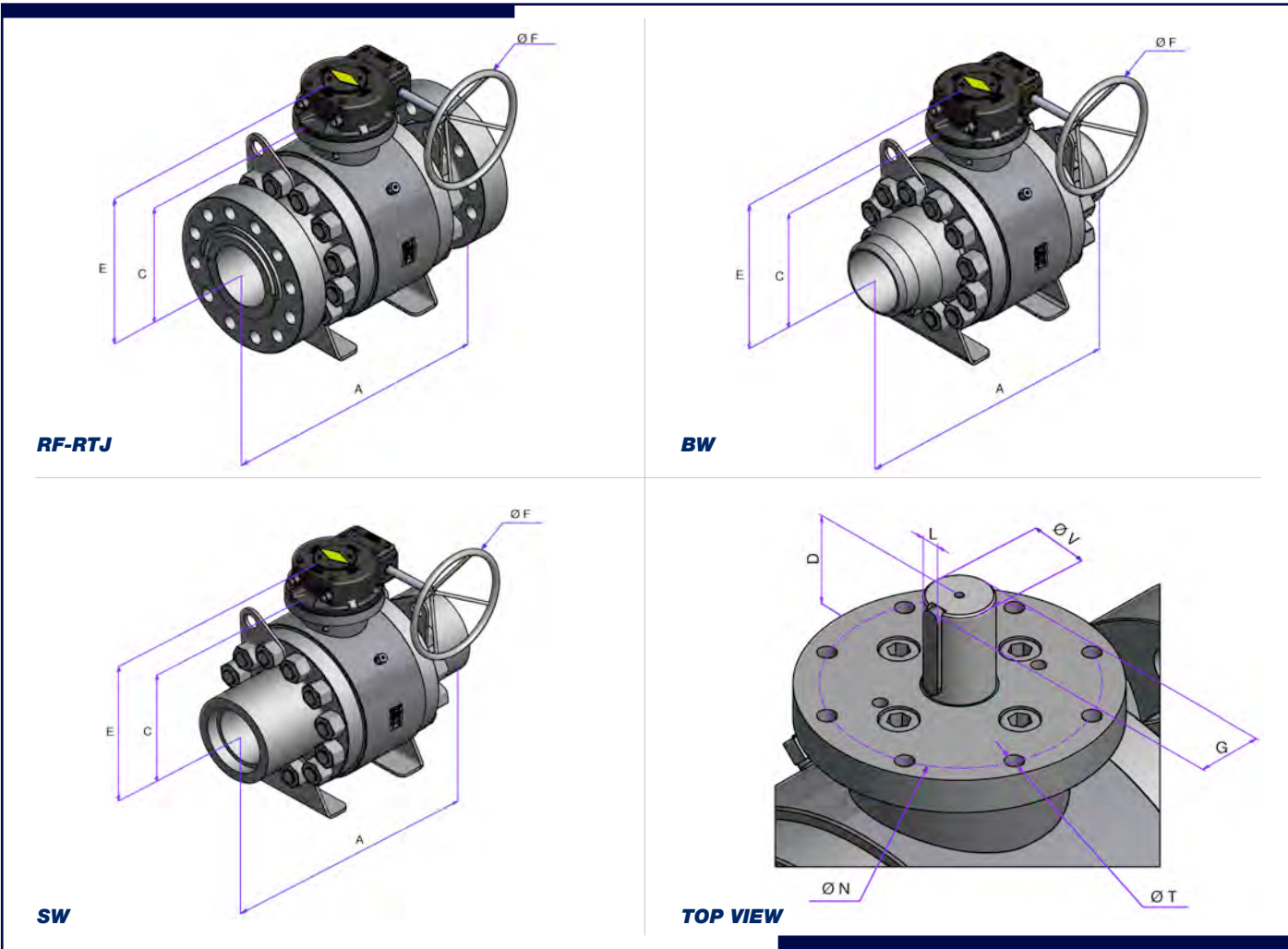
Gear Operated

Dimensions and weights are subject to change without notice.
Face to face dimensions not listed in industry standards are subject to change without notice.



ITEM NO.	Q.TY	PART NAME	MATERIAL (LF2/F316)	MATERIAL (F316/F316)	SPECIAL
NP	1	Name Plate	Stainless Steel	Stainless Steel	
2a	*****	Top Cover Screw	ASTM A193 B8	ASTM A193 B8	
2b	*****	Trunnion Screw	ASTM A193 B8	ASTM A193 B8	
2c	*****	Upper Flange Screw	ASTM A193 B8	ASTM A193 B8	
3	1	Stem Fire Seal	Graphite	Graphite	
3a	1	Top Cover Fire Seal	Graphite	Graphite	
3b	1	Trunnion Fire Seal	Graphite	Graphite	
5	1	Upper Stem	ASTM A276/479 F316	ASTM A276/479 F316	
6	1	Top Cover	ASTM A350 LF2	ASTM A276/479 F316	
6a	1	Upper Flange	ASTM A350 LF2	ASTM A276/479 F316	
7	1	Thrust Washer	Reinforced PTFE	Reinforced PTFE	
8 - 8a - 8b	*****	Stem - Trunnion Top Cover "O" Ring	VITON	VITON	
9	1	Ball	ASTM A276/479 F316	ASTM A276/479 F316	
10a	2	Seat Ring	ASTM A276/479 F316	ASTM A276/479 F316	
11	2	Adaptor Fire Seal	Graphite	Graphite	
12	1	Body	ASTM A350 LF2	ASTM A276/479 F316	
13	2	Adaptor Flange	ASTM A350 LF2	ASTM A276/479 F316	
14	1	Stem Key	Carbon Steel	Carbon Steel	
15	4	Top Cover / Upper Flange Pin	INCONEL X - 750	INCONEL X - 750	
16	*****	Adaptor Bolts	ASTM A320 L7M	ASTM A193 B8M	
30 - 30a - 30b	2+2+1	Stem - Ball - Trunnion Bearing	ASTM A276/479 F316	ASTM A276/479 F316	
31	*****	Seat Spring	INCONEL X - 750	INCONEL X - 750	
32	1	Trunnion	ASTM A276/479 F316	ASTM A276/479 F316	
33	2	Seat Fire Seal	Graphite	Graphite	
34	2	Seat "O" Ring	VITON	VITON	
35	2	Adaptor "O" Ring	VITON	VITON	
36	1	Vent valve / bleeder	ASTM A276/479 F316	ASTM A276/479 F316	
36a	2	Vent "O" Ring	VITON	VITON	
37	1	Drain Plug	ASTM A276/479 F316	ASTM A276/479 F316	
37a	1	Drain "O" Ring	VITON	VITON	
38	2	Lifting Lug	ASTM A350 LF2	ASTM A276/479 F316	
39	2	Foot	ASTM A350 LF2	ASTM A276/479 F316	

Recommended spare parts



FULL BORE												
VALVE SIZE		DIMENSIONS [mm]								WEIGHT [Kg]		
INCH	mm	A				BORE	C	E	F	RF	RTJ	SW-BW
		RF	RTJ	SW	BW							
6" x 6"	150 x 150	703	711	705	705	144	331	407.5	600	545	550	540

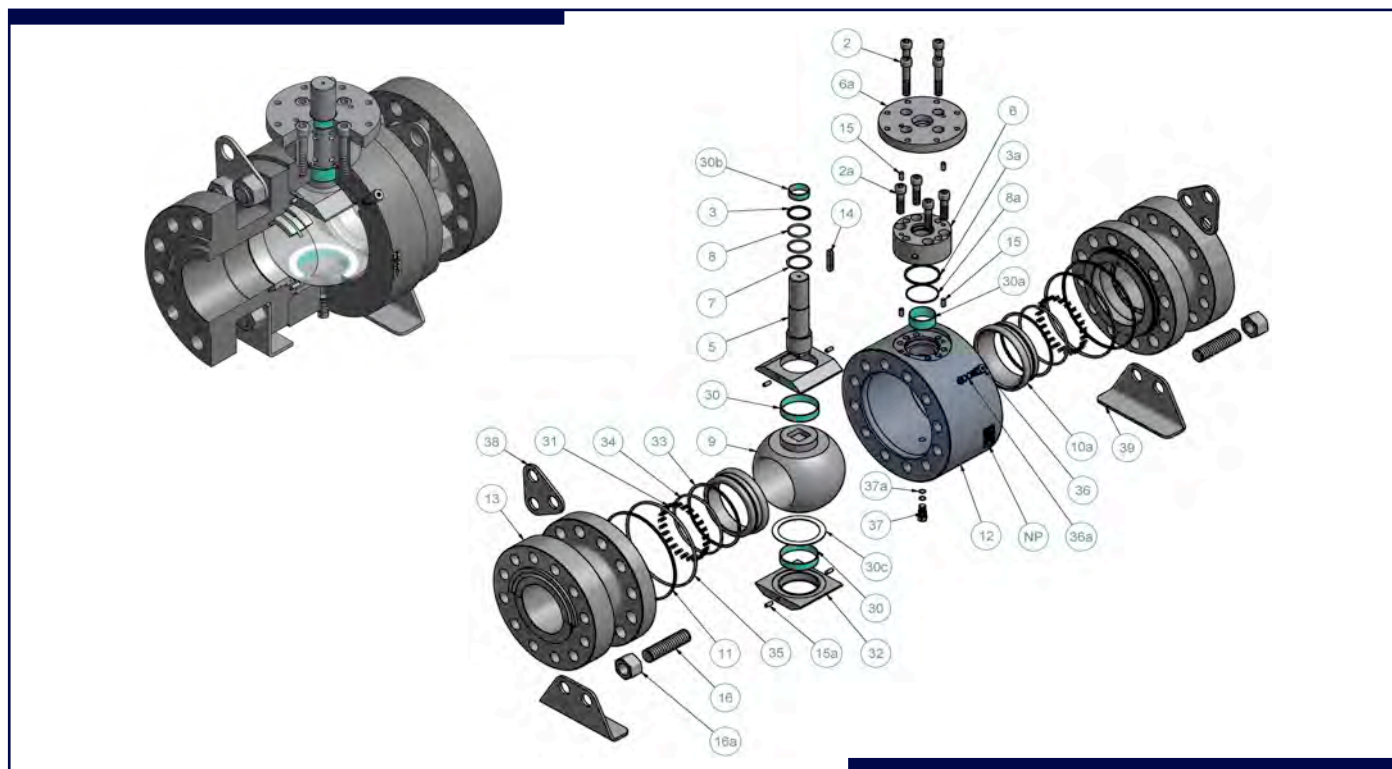
MANUAL GEAR OPERATION OR AUTOMATION							
DIMENSIONS [mm]							ISO 5211
V	L	D	G	N	T		
58	16	76.5	63	197	13	F20	

REDUCED BORE												
VALVE SIZE		DIMENSIONS [mm]								WEIGHT [Kg]		
INCH	mm	A				BORE	C	E	F	RF	RTJ	SW-BW
		RF	RTJ	SW	BW							
8" x 6"	200 x 150	737	740	737	737	144	331	407.5	600	660	670	650

MANUAL GEAR OPERATION OR AUTOMATION							
DIMENSIONS [mm]							ISO 5211
V	L	D	G	N	T		
58	16	76.5	63	197	13	F20	

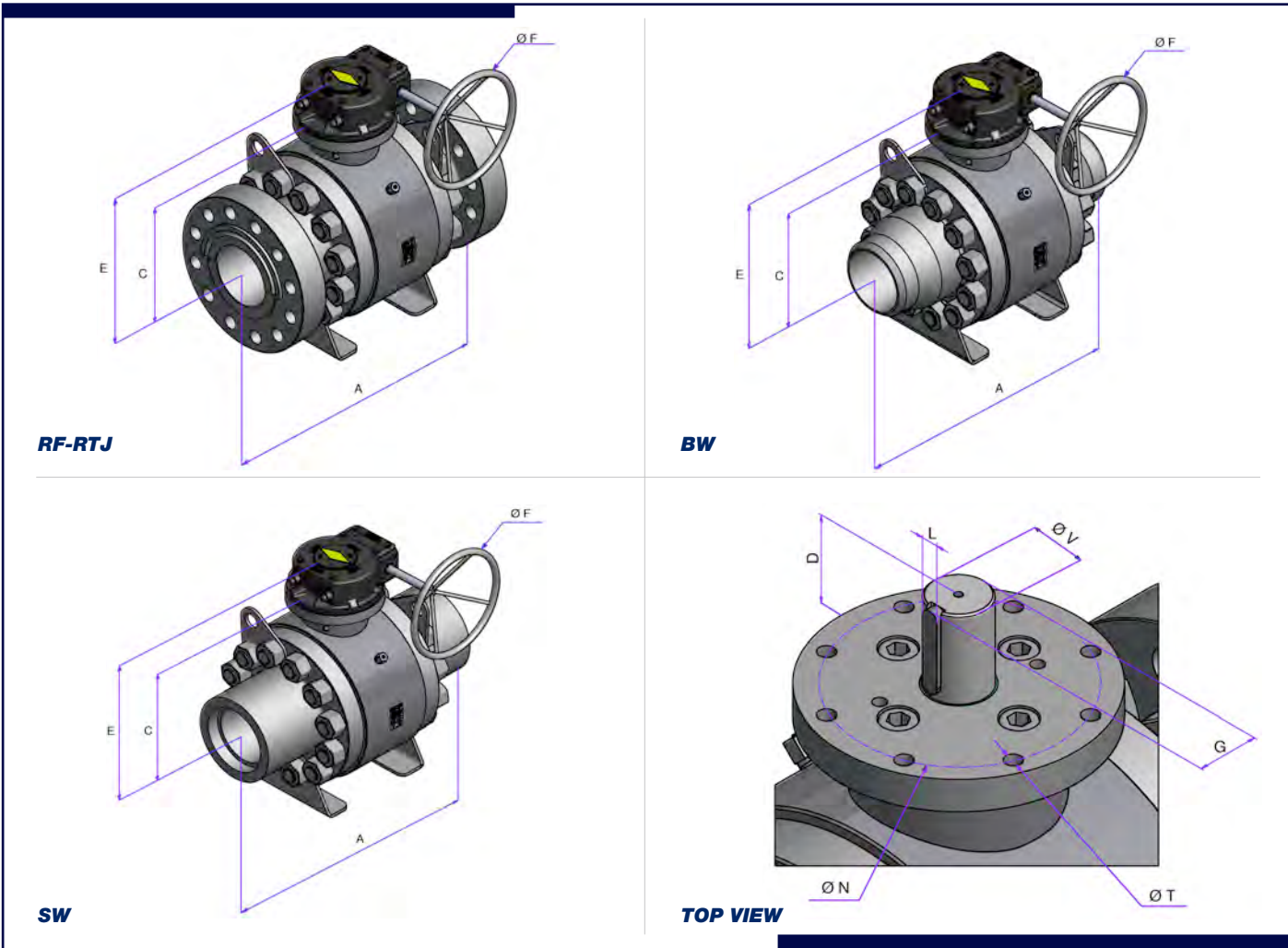
Gear Operated

Dimensions and weights are subject to change without notice.
Face to face dimensions not listed in industry standards are subject to change without notice.



ITEM NO.	Q. TY	PART NAME	MATERIAL (LF2/F316)	MATERIAL (F316/F316)	SPECIAL
NP	1	Name Plate	Stainless Steel	Stainless Steel	
2	*****	Upper Flange Screw	ASTM A193 B8	ASTM A193 B8	
2a	*****	Top Cover Screw	ASTM A193 B8	ASTM A193 B8	
3	1	Stem Fire Seal	Graphite	Graphite	
3a	1	Top Cover Fire Seal	Graphite	Graphite	
5	1	Upper Stem	ASTM A276/479 F316	ASTM A276/479 F316	
6	1	Top Cover	ASTM A350 LF2	ASTM A276/479 F316	
6a	1	Upper Flange	ASTM A350 LF2	ASTM A276/479 F316	
7	1	Thrust Washer	Reinforced PTFE	Reinforced PTFE	
8	2	Stem "O" Ring	VITON	VITON	
8a	1	Top Cover "O" Ring	VITON	VITON	
9	1	Ball	ASTM A276/479 F316	ASTM A276/479 F316	
10a	2	Seat Ring	ASTM A276/479 F316	ASTM A276/479 F316	
11	2	Adaptor Fire Seal	Graphite	Graphite	
12	1	Body	ASTM A350 LF2	ASTM A276/479 F316	
13	2	Adaptor Flange	ASTM A350 LF2	ASTM A276/479 F316	
14	1	Stem Key	Carbon Steel	Carbon Steel	
15	4	Top Cover / Upper Flange Pin	INCONEL X -750	INCONEL X -750	
15a	4	Plate Pin	INCONEL X -750	INCONEL X -750	
16	*****	Stud Bolts	ASTM A320 L7M	ASTM A193 B8M	
16a	*****	Nuts	ASTM A194 GR 4	ASTM A194 GR8 M	
30	2	Ball Bearing	ASTM A276/479 F316	ASTM A276/479 F316	
30a - 30b	1+1	Stem - Body Bearing	ASTM A276/479 F316	ASTM A276/479 F316	
30c	1	Plate Bearing	PTFE	PTFE	
31	*****	Seat Spring	INCONEL X - 750	INCONEL X - 750	
32	2	Plate	ASTM A276/479 F316	ASTM A276/479 F316	
33	2	Seat Fire Seal	Graphite	Graphite	
34	2	Seat "O" Ring	VITON	VITON	
35	2	Adaptor "O" Ring	VITON	VITON	
36	1	Vent valve / bleeder	ASTM A276/479 F316	ASTM A276/479 F316	
36a	2	Vent "O" Ring	VITON	VITON	
37	1	Drain Plug	ASTM A276/479 F316	ASTM A276/479 F316	
37a	1	Drain "O" Ring	VITON	VITON	
38	2	Lifting Lug	ASTM A350 LF2	ASTM A276/479 F316	
39	2	Foot	ASTM A350 LF2	ASTM A276/479 F316	

Recommended spare parts



FULL BORE												
VALVE SIZE		DIMENSIONS [mm]								WEIGHT [Kg]		
INCH	mm	A				BORE	C	E	F	RF	RTJ	SW-BW
		RF	RTJ	SW	BW							
8" x 8"	200 x 200	832	841	832	832	195	360	492	800	855	865	850
10" x 10"	250 x 250	991	1000	991	991	240	401.5	562	800	1377	1385	1300

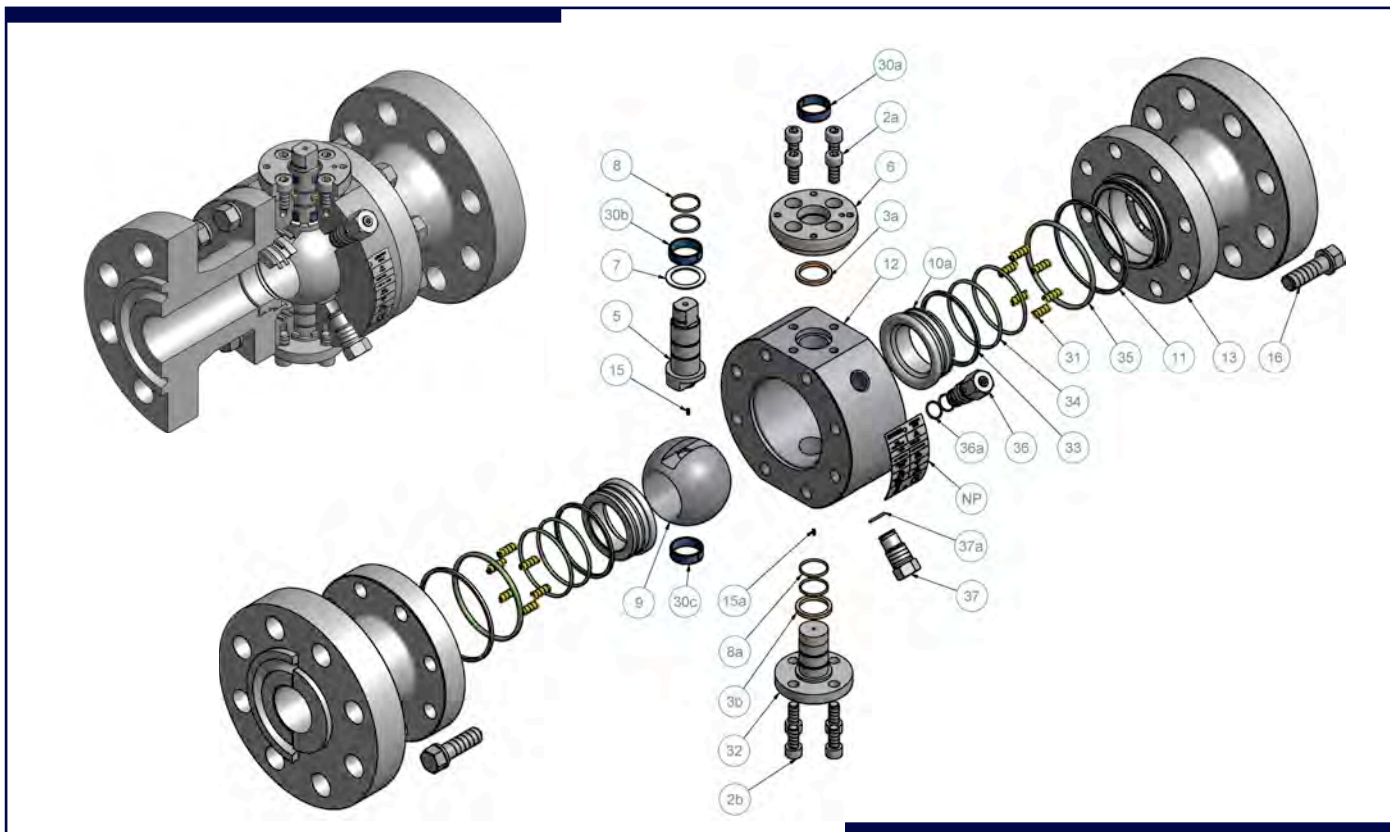
MANUAL GEAR OPERATION OR AUTOMATION						
DIMENSIONS [mm]						ISO 5211
V	L	D	G	N	T	
65	18	96.5	69	254	18	F25
70	20	102.5	74.5	298	21	F30

REDUCED BORE												
VALVE SIZE		DIMENSIONS [mm]								WEIGHT [Kg]		
INCH	mm	A				BORE	C	E	F	RF	RTJ	SW-BW
		RF	RTJ	SW	BW							
10" x 8"	250 x 200	991	1000	991	991	195	360	492	800	1107	1120	1100
12" x 10"	300 x 250	1130	1146	1130	1130	240	401.5	562	800	1479	1587	1450

MANUAL GEAR OPERATION OR AUTOMATION						
DIMENSIONS [mm]						ISO 5211
V	L	D	G	N	T	
65	18	96.5	69	254	18	F25
70	20	102.5	74.5	298	21	F30

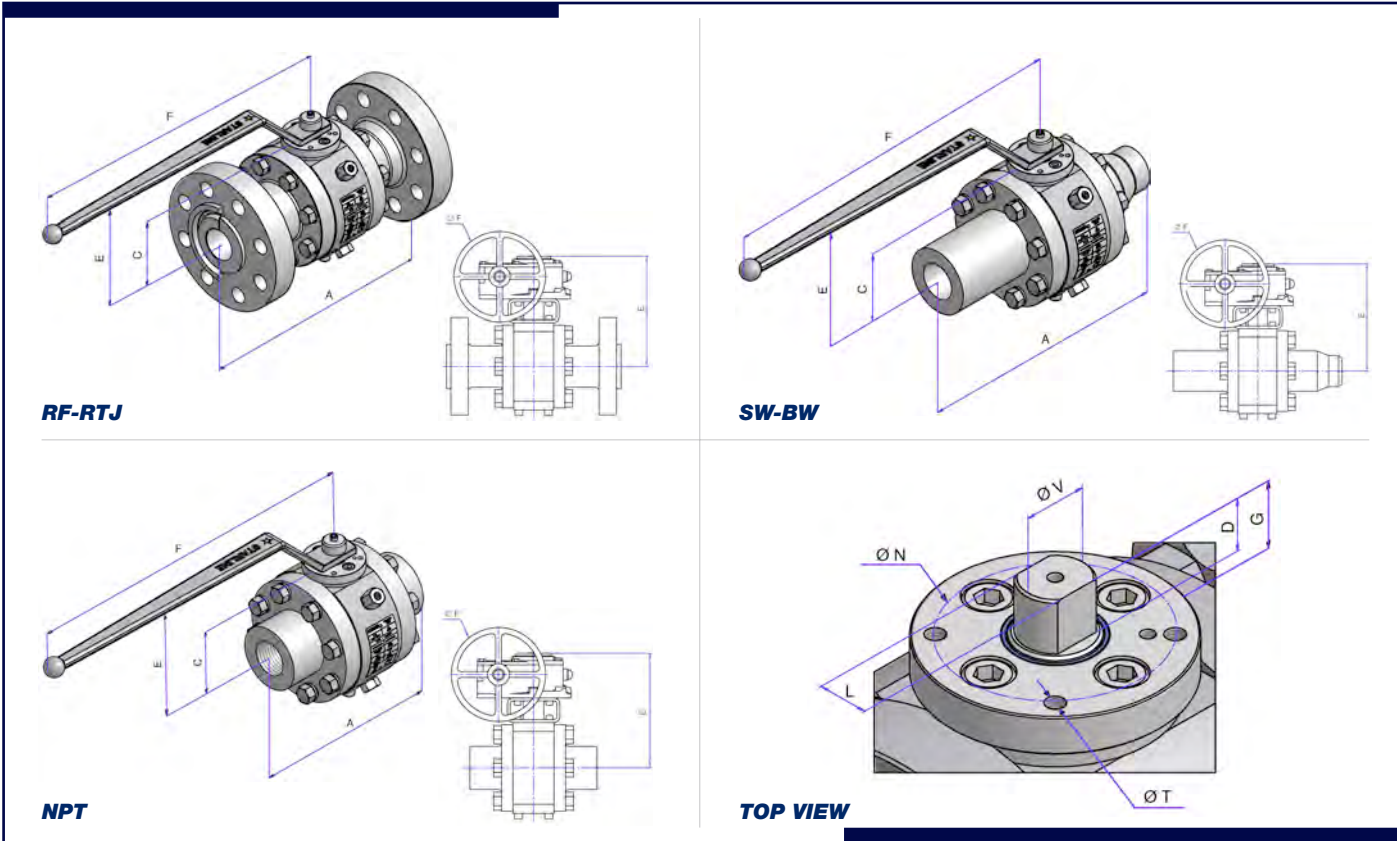
Gear Operated

Dimensions and weights are subject to change without notice.
Face to face dimensions not listed in industry standards are subject to change without notice.



ITEM NO.	Q. TY	PART NAME	MATERIAL (LF2/F316)	MATERIAL (F316/F316)	SPECIAL
NP	1	Name Plate	Stainless Steel	Stainless Steel	
2a	*****	Top Cover Screw	ASTM A193 B8	ASTM A193 B8	
2b	*****	Trunnion Screw	ASTM A193 B8	ASTM A193 B8	
3a	1	Stem Fire Seal	Graphite	Graphite	
3b	1	Trunnion Fire Seal	Graphite	Graphite	
5	1	Upper Stem	ASTM A276/479 F316	ASTM A276/479 F316	
6	1	Top Cover	ASTM A350 LF2	ASTM A276/479 F316	
7	1	Thrust Washer	Reinforced PTFE	Reinforced PTFE	
8	*****	Stem "O" Ring	VITON	VITON	
8a	*****	Trunnion "O" Ring	VITON	VITON	
9	1	Ball	ASTM A276/479 F316	ASTM A276/479 F316	
10a	2	Seat Ring	ASTM A276/479 F316	ASTM A276/479 F316	
11	2	Adaptor Fire Seal	Graphite	Graphite	
12	1	Body	ASTM A350 LF2	ASTM A276/479 F316	
13	2	Adaptor Flange	ASTM A350 LF2	ASTM A276/479 F316	
15 - 15a	2	Antistatic Spring	INCONEL X -750	INCONEL X -750	
16	*****	Adaptor Bolts	ASTM A320 L7M	ASTM A193 B8M	
30a - 30b - 30c	1+1+1	Bearing	ASTM A276/479 F316	ASTM A276/479 F316	
31	*****	Seat Spring	INCONEL X - 750	INCONEL X - 750	
32	1	Trunnion	ASTM A276/479 F316	ASTM A276/479 F316	
33	2	Seat Fire Seal	Graphite	Graphite	
34	*****	Seat "O" Ring	VITON	VITON	
35	2	Adaptor "O" Ring	VITON	VITON	
36	1	Vent valve / bleeder	ASTM A276/479 F316	ASTM A276/479 F316	
36a	2	Vent "O" Ring	VITON	VITON	
37	1	Drain Plug	ASTM A276/479 F316	ASTM A276/479 F316	
37a	1	Drain "O" Ring	VITON	VITON	

Recommended spare parts



FULL BORE													
VALVE SIZE		DIMENSIONS [mm]								WEIGHT [Kg]			
INCH	mm	A				BORE	C	E	F	RF	RTJ	SW-BW	NPT/F
		RF	RTJ	SW-BW	NPT/F								
1/2" x 1/2"	15 x 15	263	263	263	7	12.7	49	103	218	10	10	8	8
3/4" x 3/4"	20 x 20	273	273	273	12	16	49	103	218	20	20	15	15
1" x 1"	25 x 25	308	308	308	18	21	62	116	218	26	26	20	20
1.1/2" x 1.1/2"	40 x 40	42	387	384	27	34	85	142	420	44	44	38	40
2" x 2"	50 x 50	451	454	451	40	44.5	100	158	420	72	75	42	45
3" x 3"	80 x 80	578	584	578	-	64	142	335	400	160	163	120	-

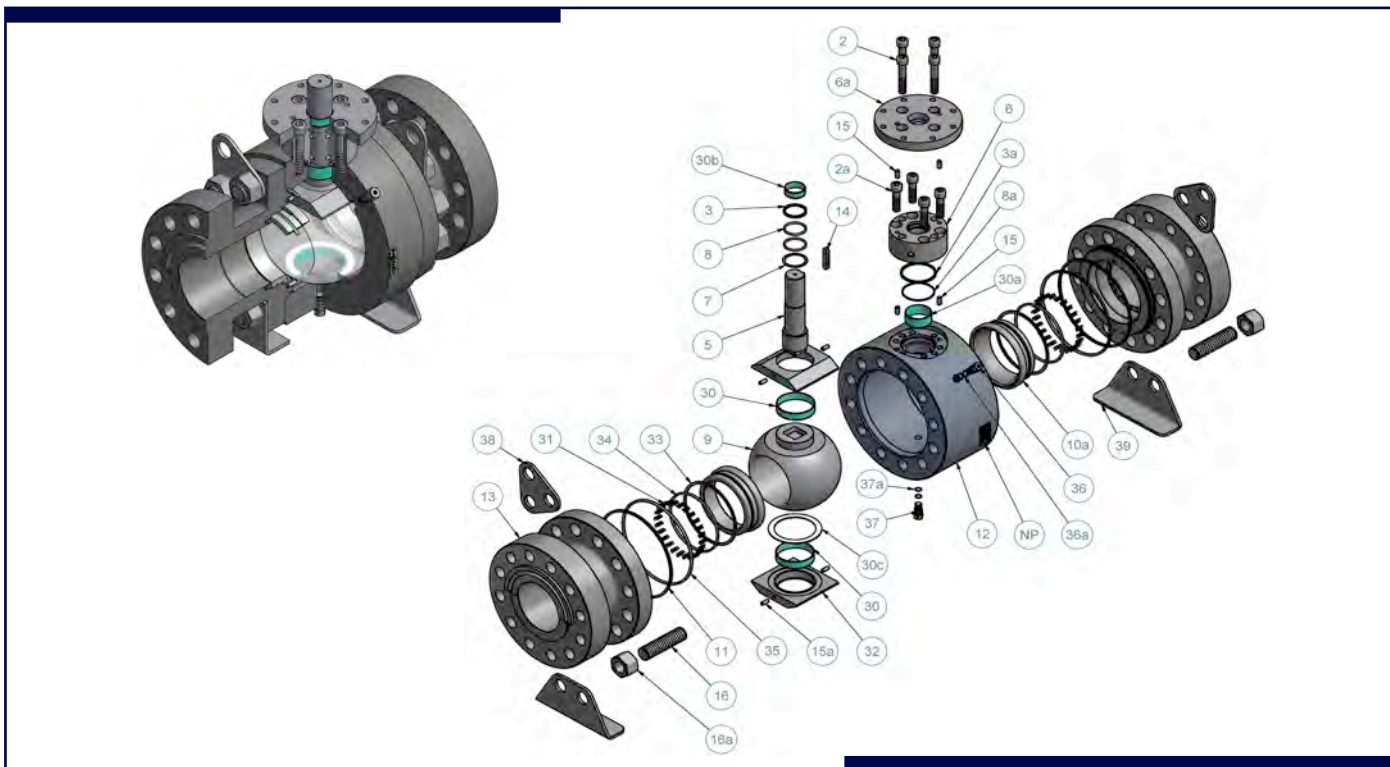
MANUAL GEAR OPERATION OR AUTOMATION							
DIMENSIONS [mm]							ISO 5211
V	L	D	G	N	T		
15	9	7.5	8.5	50	M6	F05	
15	9	7.5	8.5	50	M6	F05	
15	9	9	10	50	M6	F05	
22	16	14.5	16	70	M8	F07	
24	18	19	22	70	M8	F07	
40	30	30	31	102	M10	F10	

REDUCED BORE													
VALVE SIZE		DIMENSIONS [mm]								WEIGHT [Kg]			
INCH	mm	A				BORE	C	E	F	RF	RTJ	SW-BW	NPT/F
		RF	RTJ	SW-BW	NPT/F								
3/4" x 1/2"	20 x 15	229	229	229	7	12.7	40	95	172.5	6.5	6.5	4	4
1" x 3/4"	25 x 20	254	254	254	12	19	48	102	218	13	13	11	11
1.1/4" x 1"	32 x 25	280	280	280	18	25.4	61	115	218	22	22	16	16
1.1/2" x 1"	40 x 25	305	305	305	18	25.4	61	115	218	25	25	17	17
2" x 1.1/2"	50 x 40	368	371	368	38	38	90	147	420	40	40	33	33
3" x 2"	80 x 50	470	473	470	-	51	100	158	420	68	69	48	-
4" x 3"	100 x 80	546	549	546	-	76	148	335	400	120	122	75	-

MANUAL GEAR OPERATION OR AUTOMATION							
DIMENSIONS [mm]							ISO 5211
V	L	D	G	N	T		
12	7.5	5	6.5	42	M5	F04	
15	9	7.5	8.5	50	M6	F05	
15	9	9	10	50	M6	F05	
15	9	9	10	50	M6	F05	
22	16	14.5	16	70	M8	F07	
24	18	19	22	70	M8	F07	
40	30	30	32	102	M10	F10	

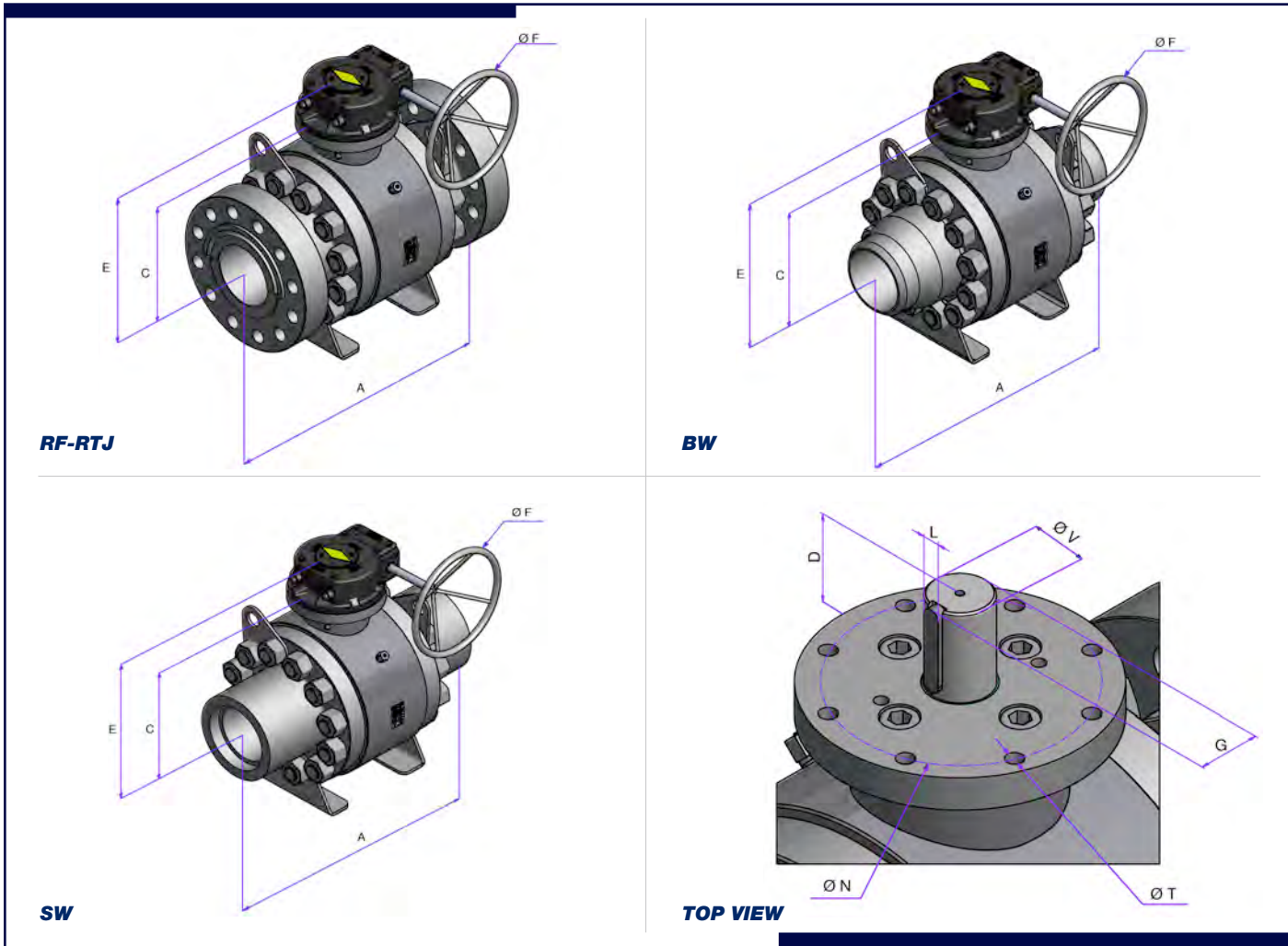
Gear Operated

Dimensions and weights are subject to change without notice.
Face to face dimensions not listed in industry standards are subject to change without notice.



ITEM NO.	Q. TY	PART NAME	MATERIAL (LF2/F316)	MATERIAL (F316/F316)	SPECIAL
NP	1	Name Plate	Stainless Steel	Stainless Steel	
2	*****	Upper Flange Screw	ASTM A193 B8	ASTM A193 B8	
2a	*****	Top Cover Screw	ASTM A193 B8	ASTM A193 B8	
3	1	Stem Fire Seal	Graphite	Graphite	
3a	1	Top Cover Fire Seal	Graphite	Graphite	
5	1	Upper Stem	ASTM A276/479 F316	ASTM A276/479 F316	
6	1	Top Cover	ASTM A350 LF2	ASTM A276/479 F316	
6a	1	Upper Flange	ASTM A350 LF2	ASTM A276/479 F316	
7	1	Thrust Washer	Reinforced PTFE	Reinforced PTFE	
8	2	Stem "O" Ring	VITON	VITON	
8a	1	Top Cover "O" Ring	VITON	VITON	
9	1	Ball	ASTM A276/479 F316	ASTM A276/479 F316	
10a	2	Seat Ring	ASTM A276/479 F316	ASTM A276/479 F316	
11	2	Adaptor Fire Seal	Graphite	Graphite	
12	1	Body	ASTM A350 LF2	ASTM A276/479 F316	
13	2	Adaptor Flange	ASTM A350 LF2	ASTM A276/479 F316	
14	1	Stem Key	Carbon Steel	Carbon Steel	
15	4	Top Cover / Upper Flange Pin	INCONEL X -750	INCONEL X -750	
15a	4	Plate Pin	INCONEL X -750	INCONEL X -750	
16	*****	Stud Bolts	ASTM A320 L7M	ASTM A193 B8M	
16a	*****	Nuts	ASTM A194 GR 4	ASTM A194 GR8 M	
30	2	Ball Bearing	ASTM A276/479 F316	ASTM A276/479 F316	
30a - 30b	1+1	Stem - Body Bearing	ASTM A276/479 F316	ASTM A276/479 F316	
30c	1	Plate Bearing	PTFE	PTFE	
31	*****	Seat Spring	INCONEL X - 750	INCONEL X - 750	
32	2	Plate	ASTM A276/479 F316	ASTM A276/479 F316	
33	2	Seat Fire Seal	Graphite	Graphite	
34	2	Seat "O" Ring	VITON	VITON	
35	2	Adaptor "O" Ring	VITON	VITON	
36	1	Vent valve / bleeder	ASTM A276/479 F316	ASTM A276/479 F316	
36a	2	Vent "O" Ring	VITON	VITON	
37	1	Drain Plug	ASTM A276/479 F316	ASTM A276/479 F316	
37a	1	Drain "O" Ring	VITON	VITON	
38	2	Lifting Lug	ASTM A350 LF2	ASTM A276/479 F316	
39	2	Foot	ASTM A350 LF2	ASTM A276/479 F316	

Recommended spare parts



FULL BORE												
VALVE SIZE		DIMENSIONS [mm]								WEIGHT [Kg]		
INCH	mm	A				BORE	C	E	F	RF	RTJ	SW-BW
		RF	RTJ	SW	BW							
6" x 6"	150 x 150	914.5	927	914.5	914.5	131	343	475	800	1000	1010	1005
8" x 8"	200 x 200	1022	1038	1022	1022	180	404	600	800	1509	1520	1500

MANUAL GEAR OPERATION OR AUTOMATION							
DIMENSIONS [mm]							ISO 5211
V	L	D	G	N	T		
65	18	96.5	69	254	18	F25	
70	20	102.5	74.5	298	21	F30	

REDUCED BORE												
VALVE SIZE		DIMENSIONS [mm]								WEIGHT [Kg]		
INCH	mm	A				BORE	C	E	F	RF	RTJ	SW-BW
		RF	RTJ	SW	BW							
8" x 6"	200 x 150	1022	1038	1022	1022	131	343	475	800	1100	1110	1095
10" x 8"	250 x 200	1270	1292	1270	1270	180	404	600	800	1689	1290	1650

MANUAL GEAR OPERATION OR AUTOMATION							
DIMENSIONS [mm]							ISO 5211
V	L	D	G	N	T		
65	18	96.5	69	254	18	F25	
70	20	102.5	74.5	298	21	F30	

Gear Operated

Dimensions and weights are subject to change without notice.
Face to face dimensions not listed in industry standards are subject to change without notice.