

**Project: FIRE TEST FOR SOFT-SEATED
BALL VALVE**

Certificate No.: 156/06 - 9587

Client: J.C. FÁBRICA DE VÁLVULAS, S.A.

Office: Sant Joan Despí (BCN)

Client's Order No.: ---

Date: 25.04.06

Inspection dates

First: 21.04.06

Order Status: Complete

Final: 21.04.06

This certificate is issued to

Messrs. **J.C. FABRICA DE VÁLVULAS, S.A.**, upon their request that the undersigned Suveryor to this Society did attend their premises at their works in Sant Boi de Llobregat - Barcelona (Spain) for the purpose of witnessing the FIRE TEST in accordance with the requirements specified in ISO 10497:2004, on the following type of valve:

A manually operate soft seated ball valve of 3" bore 3", symetric Valve as per fig. 515 IIT class 150#.

Body and Connector material CF8M (ASTM A-351)

Seats: SEE DRAWING 5594

Ball material: SEE DRAWING 5594

Stem: SEE DRAWING 5594

Marks:

- BODY : Col. 9PLZ
- CONNECTOR : Col. 56FK

The test conducted on the valve previously subject to hydraulic pressure was as follows:

The valve in the closed position, filled with water under test pressure, was put in a box and exposed to flames with an environmental temperature in the region 750° C for a period of 30 minutes and established the leakage trough the seat and external to atmosphere during this period. The temperature was checked and recorded every two minutes, while leakages were determined using containers collecting the water leaked during burn period. Afterwards cool-down to 100° C. The valve seat and external hydrostatically tested to the appropriate test pressure and leakages recorded accordingly. Subsequently manually opened up under test pressure differential and finally the valve was fully hydrottested and leakages recorded.

All the following values were determined and recorded together with temperatures, times and pressures as shown on manufacturers Fire Safe Test Report nº C156/06

SGS Tecnos, S.A.

1. Through-valve leakage during burn period - SATISFACTORY.
2. External leakage during burn and cool-down period - SATISFACTORY.
3. Through-valve leakage during operational test - SATISFACTORY.
4. External leakage during operational test - SATISFACTORY.
5. Operability to full open position and external leakage - SATISFACTORY.

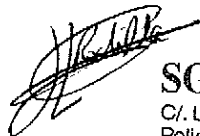
The valve was subject to a visual examination with satisfactory results and subsequently dismantled in order to verify that valves components comply with the drawing and parts list supplied by the manufacturer, while seat rings were found completely destroyed.

The manufacturers Fire Safe Test Report nº C156/06 and drawing 5594 herewith attached were satisfactory checked and signed.

The above is considered in accordance with the mentioned specifications requirements, therefore the subject valve has satisfactory passed the prescribed fire test and can be also qualified as follows.

DN	CLASS RATING	PN RATING
80, 100, 125, 150	150# , 300#	10; 16; 25; 40

Surveyor José Luis Rodilla



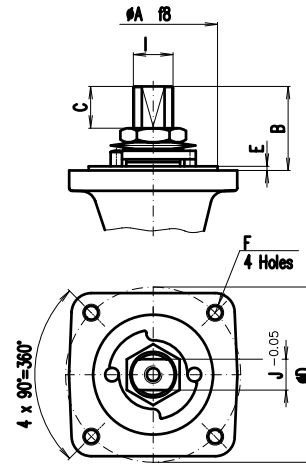
SGS Tecnos, S.A.

C/. Las Planas nº 1, Nave B
Polígono Industrial Font Santa
08970 Sant Joan Despí (Barcelona)
Tel.: (34) 93 477 01 71 - 93 477 01 69
Fax.: (34) 93 373 15 00

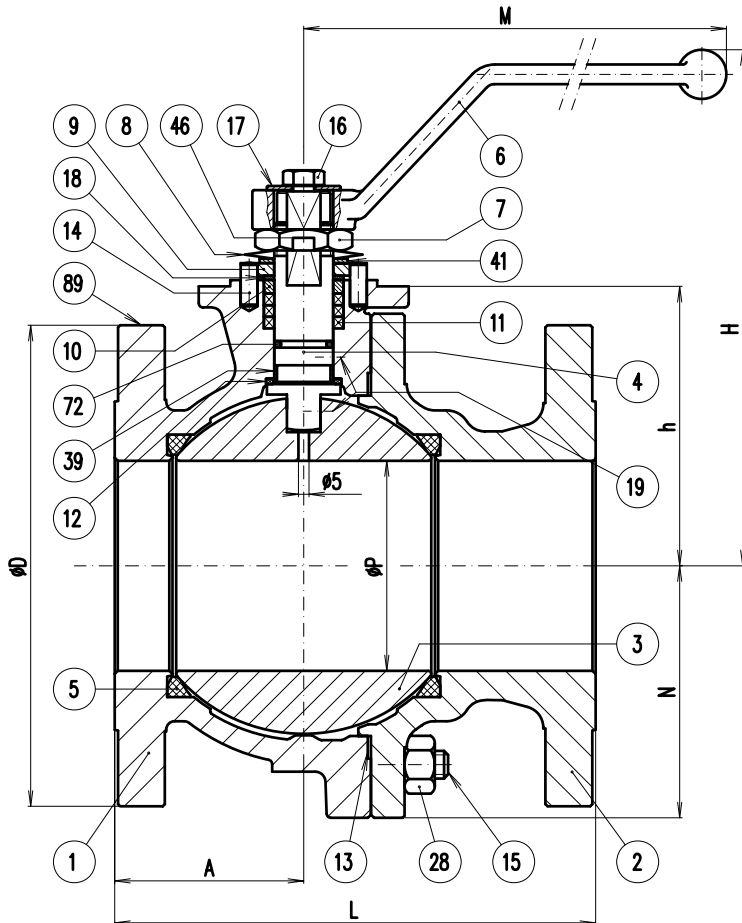
DOCUMENTS ATTACHED:
Sheets reviewed and stamped
Accordingly.

5594

DN	L	ØD	ØP	A	M	H	h	N
3"	203	191	78	90	450	234,8	111	--



BALL VALVES STEM DIMENSIONS										WEIGHT (Kg.)	QUANTITY	ITEM
DN	ØA	B	C	ØD	E	F	I	J				
3"	70	44,5	18,7	102	3	M10	M25x1,5	18	23			



(*) RECOMMENDED SPARE PARTS

	2	PLASTIC CAP	PLASTIC	3" CLASS 150
	89	1 IDENTIFICATION PLATE	STAINLESS ST.	100 x 13
	72	1 "O" RING	FKM	* ø12,37 x 2,62
	46	1 LOCKING WASHER	AISI 304	* 5280/46 0 3-86
	41	1 SPACER	AISI 304	200080/41 0 5-87
	39	1 STEM BUSHING	25% G.F. + TFM	ø17,5 x 16,5 x 12,5
	28	8 NUT (DN=3/4" ~ DN=6")	A 194 Gr. 2HM	5150/28 0 6-85
	19	2 ANTISTATIC DEVICE	STAINLESS ST.	5115/20 0 12-86
	18	1 THRUST WASHER	25% G.F. + PTFE	* ø35 x 25 x 2
	17	1 WASHER	AISI 304	5180/17 0 5-87
	16	1 BOLT	DIN-933 A4 - 70	DIN 933 M10 x 16
	15	8 STUD	A 193 Gr. B8M	S53050 M2 6-85
	14	2 STOP PIN	STAINLESS STEEL	DIN 6325 8 x 18
	13	1 BODY CONNECTOR SEAL	AISI 316L + PTFE + GRAPHITE	* JCL080TG 0 3-06
	12	1 STEM THRUST SEAL	25% G.F. + PTFE	* ø25,7 x 19 x 2
	11	2 GLAND PACKING	GRAPHITE	* ø35 x 25 x 5
	10	1 GLAND	AISI 316	5180/10-1 0 5-87
	9	1 STOP PLATE	AISI 304	00800930 0 7-92
	8	2 DISK SPRING	ENP CARBON STEEL	DIN 2093 B50
	7	1 GLAND NUT	AISI 303	5180/07 0 5-87
	6	1 WRENCH	NODULAR IRON	M80ND M1 1-94
	5	2 SEAT RING	PTFE	* 00800530 0 1-90
	4	1 STEM	A 479 Tp.316	EPI80Q 1 1-02
	3	1 BALL	A 351 Gr. CF8M	00800311 M1 6-89
	2	1 BODY CONNECTOR	A 351 Gr. CF8M	0515080LN 1 1-05
	1	1 BODY	A 351 Gr. CF8M	0515080CN 3 2-05

POS.	QUAN.	DENOMINATION	MATERIAL	DRAWING N°.	REV	DATE
0	1	First issue		3-06	RB	

Rev.	Modification	Drawn	27-03-06	RB	Date	Nam.	RB	Apprv.
mm.	Checked	27-03-06	JR					
Weight:	Appr. Eng.							
Substitutes:	Scale:	JC Ball Valves JC Fábrica de válvulas, s.a. 08830 Sant Boi de Llobregat (Spain) Tel. + (34) 936 54 86 86 // Fax + (34) 936 86 87 e.mail: technical@jc-ballvalves.com				Ref.:		
Substitutes by:						GENERAL DIMENSIONS FIG. 515 IIT DN-3" CLASS 150 RF FB		Drawing n°.: 5594

This drawing is our property. It is strictly forbidden to use the drawing, to give it to third parties or to reproduce it totally or partially without our permission.