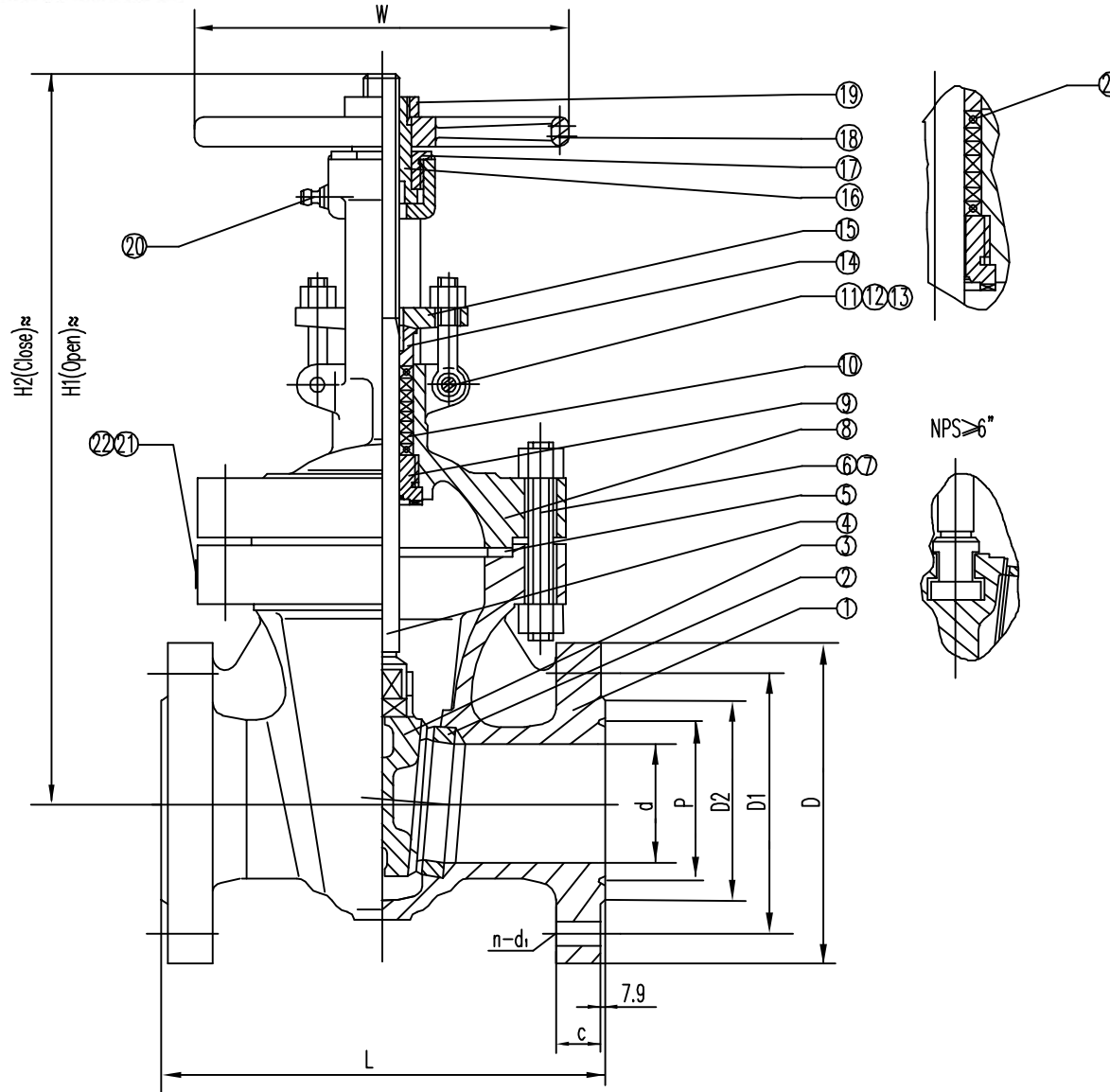




**AUSTRALIAN PIPELINE VALVE®**  
www.australianpipelinevalve.com.au

**STEAMCO®**



12"	765	521	450.9	413	314.3	57.4	12-ø35	600	792	1142	381	600
NPS	L	D	D1	D2	d	c	n-d1	W	H2	H1	P	WT.kg

TECHNICAL PERFORMANCE	
BORE	12 3/8"
CLASS	400Lb
SHELL TEST PRESSURE	10.3 MPa
SEAT TEST PRESSURE	7.5 MPa
AIR TEST PRESSURE	0.6 MPa
SUITABLE TEMPERATURE	-29~425°C
SUITABLE MEDIUM	STEAM
BODY MATERIAL	ASTM A216 WCB

**NOTES:**

1. Special bore size 12 3/8"
2. Design and Manufacture: API 600
3. Face-to-Face: ASME B16.10
4. Connection End: ASME B16.5
5. Inspection and Test: API 598
6. NACE MR-0175
7. Investment Cast

No.	Part Name	Material	No.	Part Name	Material
13	Nut	ASTM A194 2H	1	Body	ASTM A216 WCB
14	Gland	ASTM A276 420	2	Seat ring	ASTM A105+STL#6
15	Gland flange	ASTM A216 WCB	3	Wedge	ASTM A216 WCB+STL#6
16	Stem Nut	Aluminium Bronze	4	Stem	ASTM 17-4PH
17	Nut	C.S.	5	Gasket	316 Jacketed Graphite
18	Handwheel	Malleable Iron	6	Stud	ASTM A193 B7
19	Retaining nut	C.S.	7	Nut	ASTM A194 2H
20	Lubricator	Assembly	8	Bonnet	ASTM A216 WCB
21	Nameplate	304SS	9	Back seat	Hardface STL+No #6
22	Rivet	Bronze	10	Packing lower	Flexible Graphite*
23	Packing upper	Braided Graphite*	11	Pin	C.S.
			12	Eyebolt	ASTM A193 B7

\* Chesterton #1724 treated PTFE packing can be used for temperatures up to 260° C

12"
ANSI 400Lb
GATE VALVE
ASSEMBLY DRAWING
A-S-300-4-S-1

Australian Pipeline Valve / Steamco



**AUSTRALIAN PIPELINE VALVE®**  
www.australianpipelinevalve.com.au

**STEAMCO®**

3"	359	210	168	146	79.38	32	8-Ø22	300	460	550	123.7	60
NPS	L	D	D1	D2	d	c	n-d1	W	H2	H1	P	WT.kg

TECHNICAL PERFORMANCE	
BORE	3 1/8"
CLASS	600Lb
SHELL TEST PRESSURE	15.4 MPa
SEAT TEST PRESSURE	11.5 MPa
AIR TEST PRESSURE	0.6 MPa
SUITABLE TEMPERATURE	-29~425°C
SUITABLE MEDIUM	STEAM
BODY MATERIAL	ASTM A216 WCB

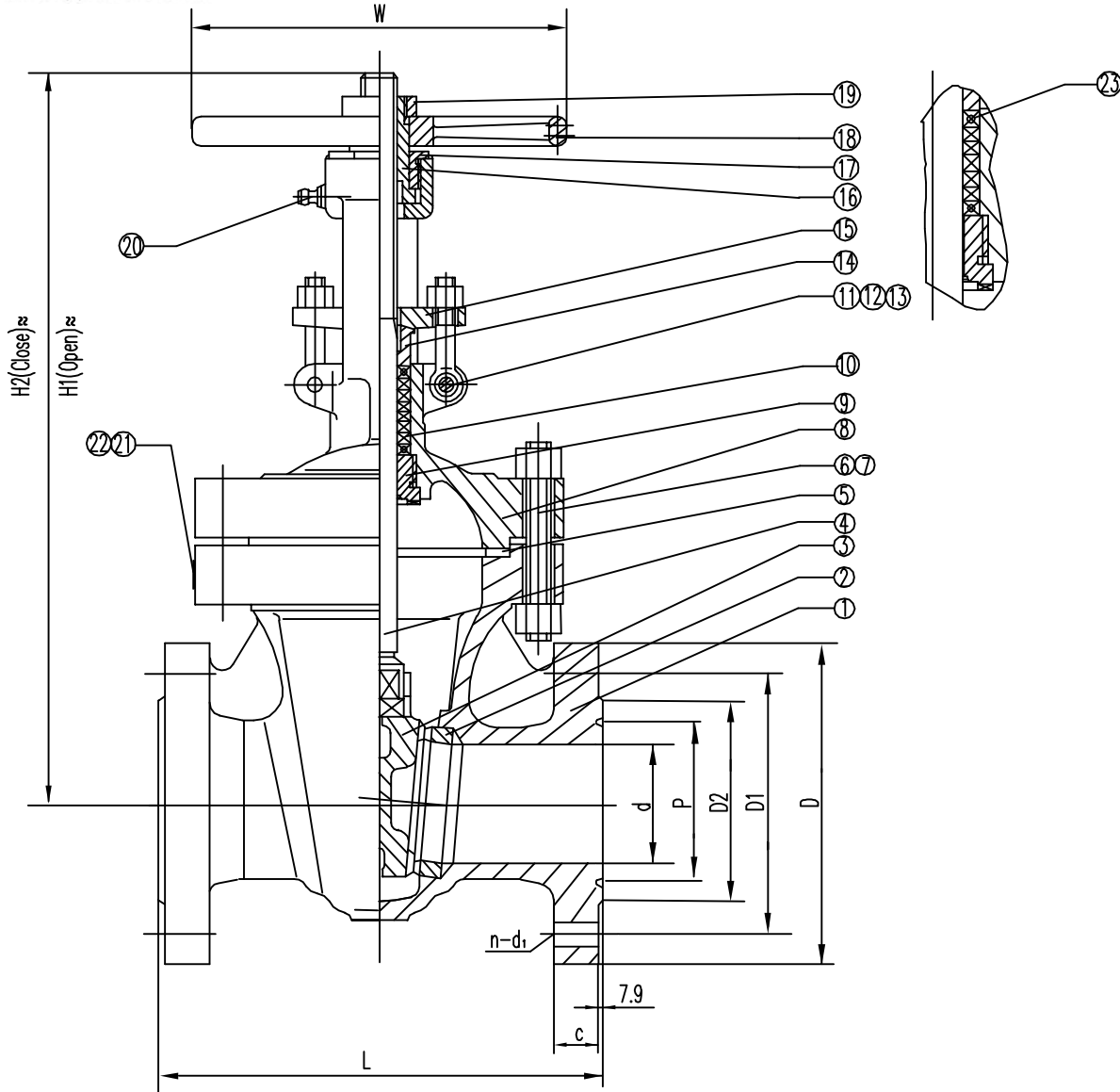
**NOTES:**

1. Special bore size 3 1/8"
2. Design and Manufacture: API 600
3. Face-to-Face: ASME B16.10
4. Connection End: ASME B16.5
5. Inspection and Test: API 598
6. NACE MR-0175
7. Investment Cast

No.	Part Name	Material	No.	Part Name	Material
13	Nut	ASTM A194 2H	1	Body	ASTM A216 WCB
14	Gland	ASTM A276 420	2	Seat ring	ASTM A105+STL#6
15	Gland flange	ASTM A216 WCB	3	Wedge	ASTM A216 WCB+STL#6
16	Stem Nut	Aluminium Bronze	4	Stem	17-4PH
17	Nut	C.S.	5	Gasket	304 Jacketed Graphite
18	Handwheel	Malleable Iron	6	Stud	ASTM A193 B7
19	Retaining nut	C.S.	7	Nut	ASTM A194 2H
20	Lubricator	Assembly	8	Bonnet	ASTM A216 WCB
21	Nameplate	304SS	9	Back seat	Hardface STL #6
22	Rivet	Bronze	10	Packing lower	Flexible Graphite*
23	Packing upper	Braided Graphite*	11	Pin	C.S.
			12	Eyebolt	ASTM A193 B7

\* Chesterton #1724 treated, PTFE packing can be used for temperatures up to 260°C

3"
ANSI 600LB
GATE VALVE
ASSEMBLY DRAWING

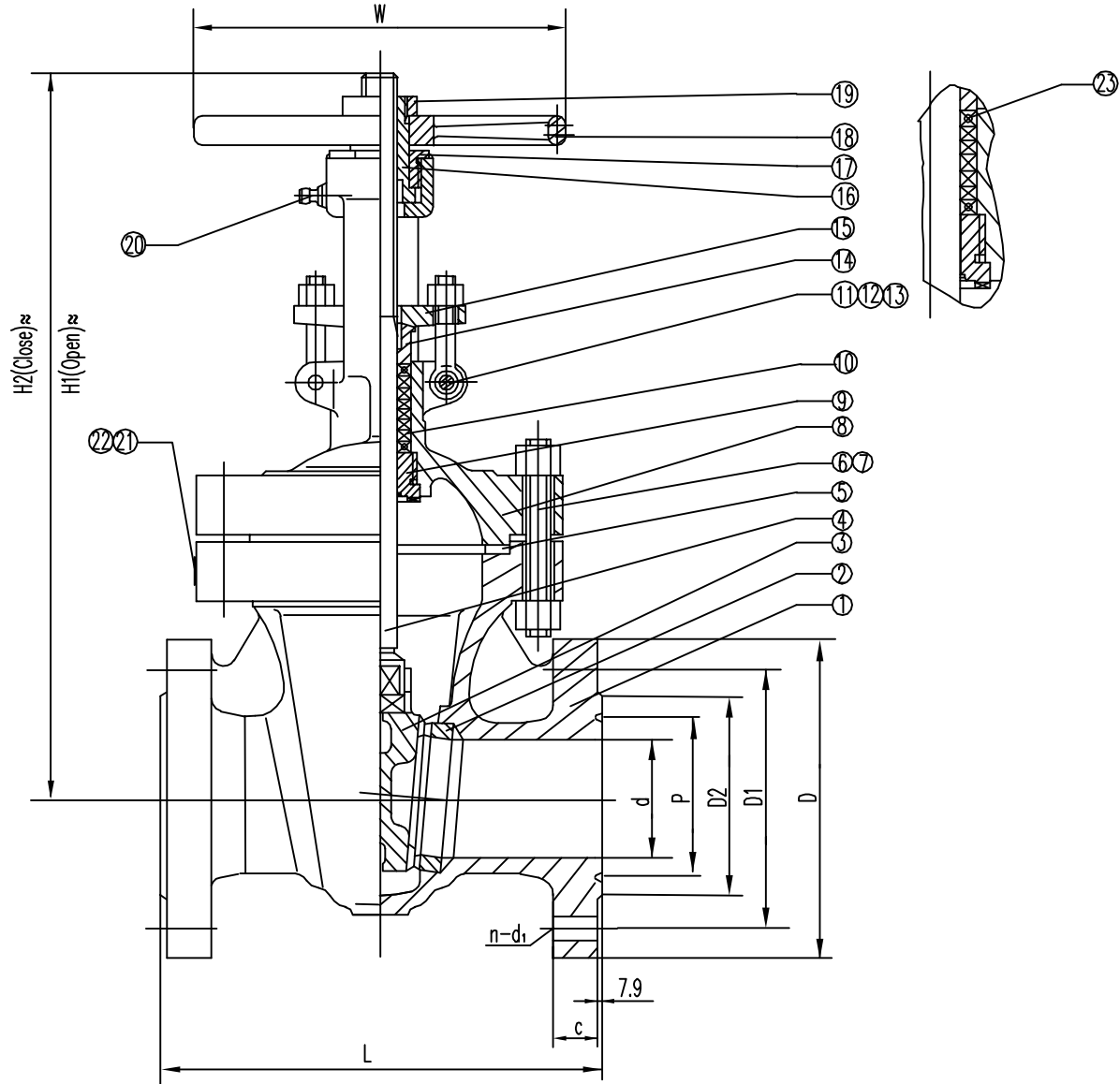




**AUSTRALIAN PIPELINE VALVE®**  
www.australianpipelinevalve.com.au

**STEAMCO®**

10"	473.1	444	387.5	356	257.18	46.1	16-#29	500	998	1275	323.85	290
NPS	L	D	D1	D2	d	c	n-d1	W	H2	H1	P	WT.kg



TECHNICAL PERFORMANCE	
BORE	10 1/8"
CLASS	300Lb
SHELL TEST PRESSURE	7.7 MPa
SEAT TEST PRESSURE	5.7 MPa
AIR TEST PRESSURE	0.6 MPa
SUITABLE TEMPERATURE	-29~425°C
SUITABLE MEDIUM	STEAM
BODY MATERIAL	ASTM A216 WCB

NOTES:

1. Special bore size 10 1/8"
2. Design and Manufacture: API 600
3. Face-to-Face: ASME B16.10
4. Connection End: ASME B16.5
5. Inspection and Test: API 598
6. NACE MR-0175
7. Investment Cast

No.	Part Name	Material	No.	Part Name	Material
13	Nut	ASTM A194 2H	1	Body	ASTM A216 WCB
14	Gland	ASTM A276 420	2	Seat ring	ASTM A105+STL #6
15	Gland flange	ASTM A216 WCB	3	Wedge	ASTM A216 WCB+STL #6
16	Stem Nut	Aluminium Bronze	4	Stem	17-4PH
17	Nut	C.S.	5	Gasket	304 Jacketed Graphite
18	Handwheel	Malleable Iron	6	Stud	ASTM A193 B7
19	Retaining nut	C.S.	7	Nut	ASTM A194 2H
20	Lubricator	Assembly	8	Bonnet	ASTM A216 WCB
21	Nameplate	304SS	9	Back seat	STELLITE #6
22	Rivet	Bronze	10	Packing lower	Flexible Graphite*
23	Packing upper	Braided Graphite*	11	Pin	C.S.
			12	Eyebolt	ASTM A193 B7

\* Chesterton #1724 treated PTFE packing can be used for temperatures up to 260°C

10"
ANSI 300Lb
GATE VALVE
ASSEMBLY DRAWING