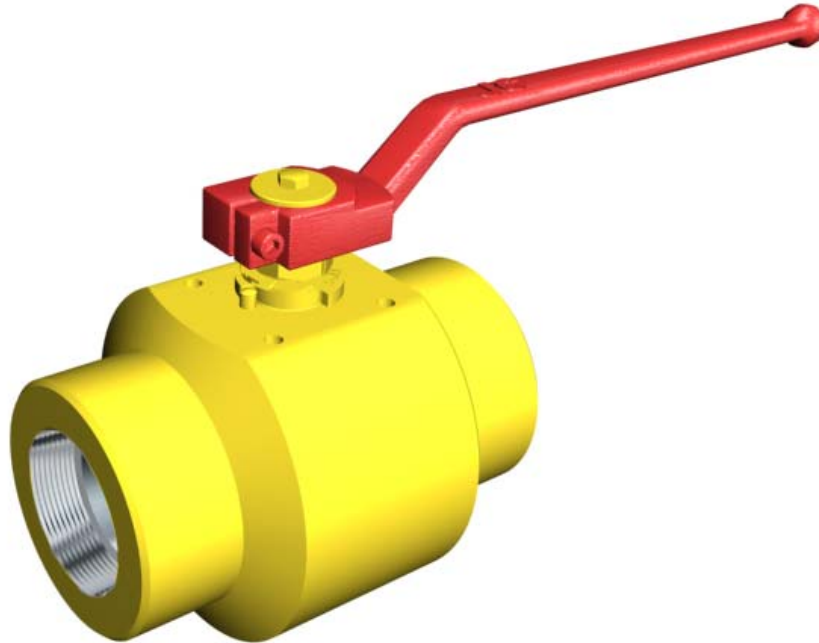




# Ball Valves Class 800 LICG & IICG Type DN ½" – 2"

**Index**



## SERIES 411 REDUCED BORE

NPT Ends

Face to face dimensions Manufacturer's Standard

Manufacturing program:



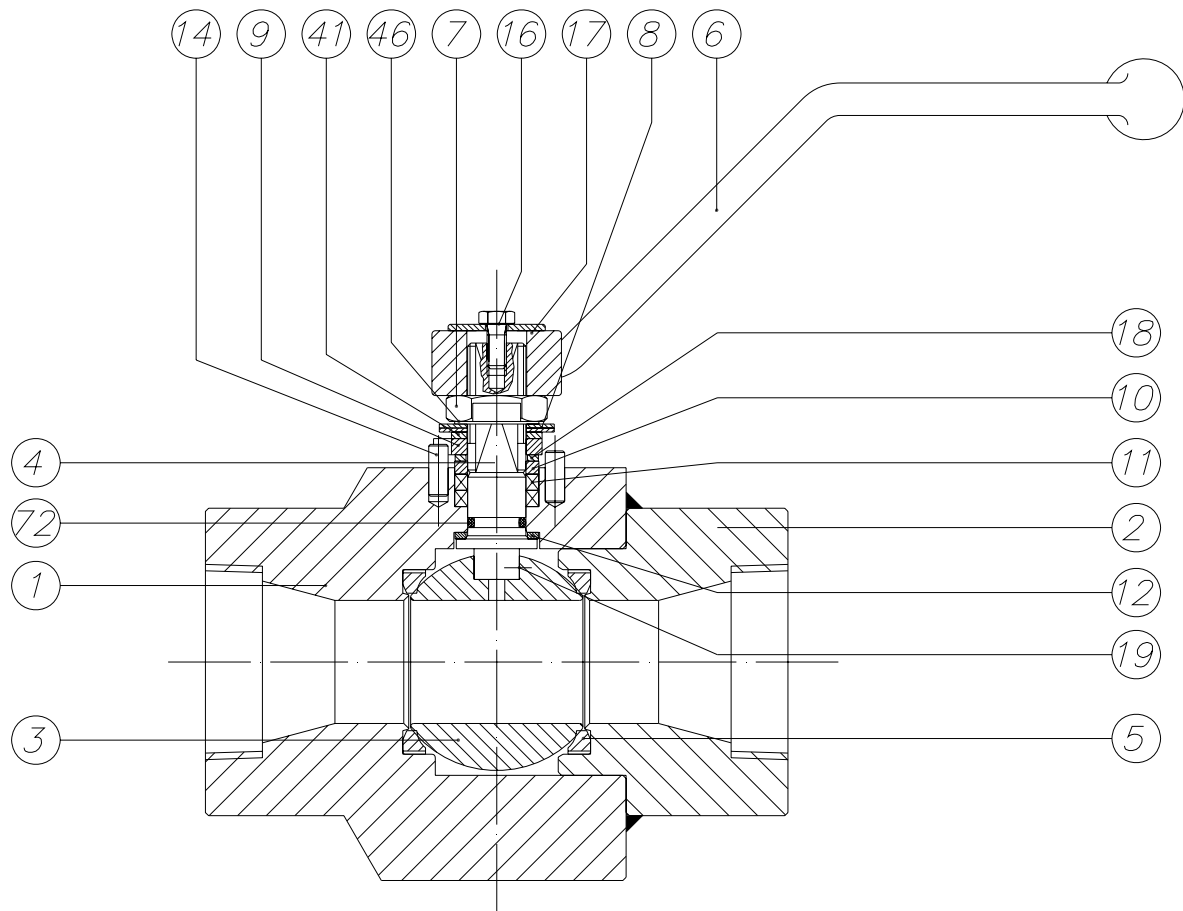
Quality & Environmental Management:





# Ball Valves Class 800 LICG & IICG Type

## Parts and materials

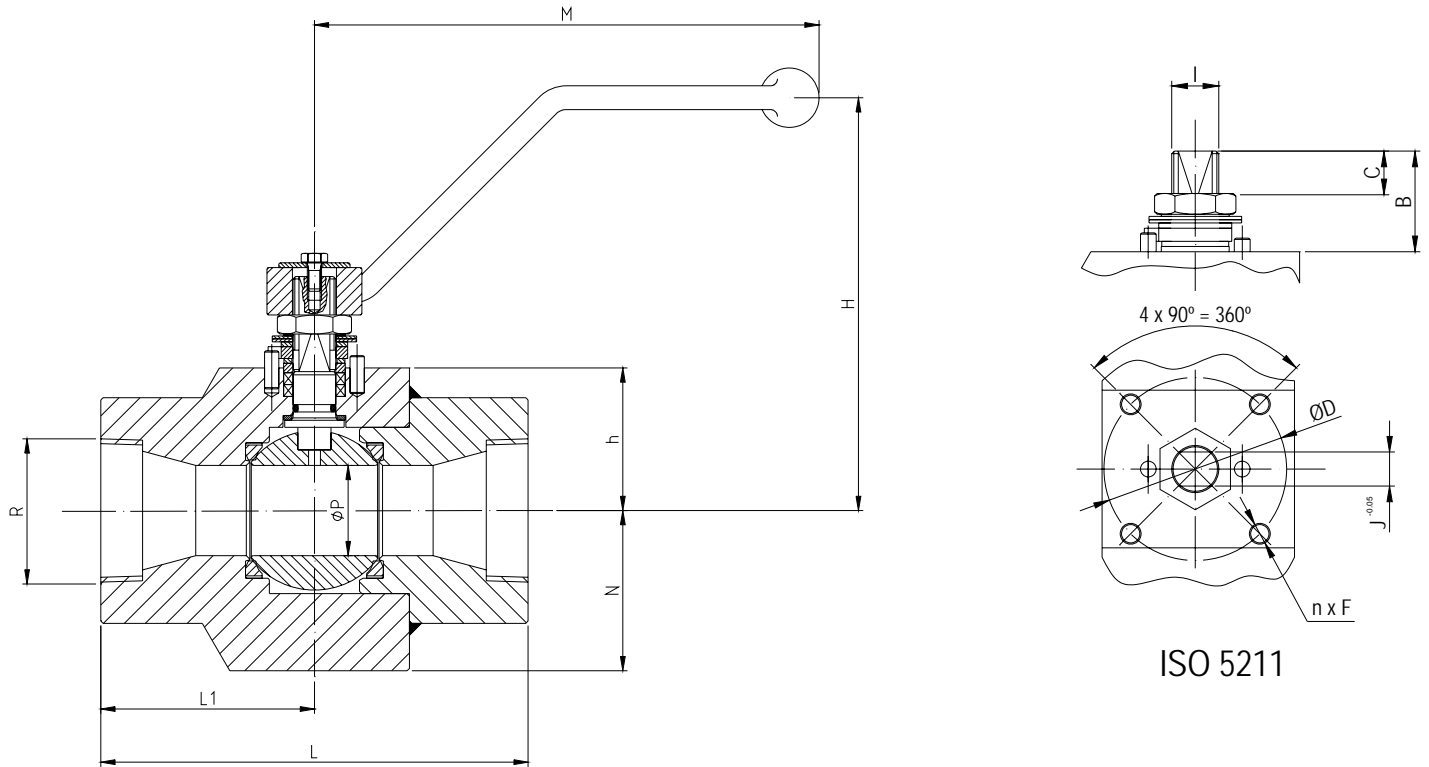


Item	Description	Material	
		L.T.C.S. BODY	S.S. BODY
1	Body	A 350 Gr. LF2	A 479 Gr. 316
2	Body connector	A 350 Gr. LF2	A 479 Gr. 316
3	Ball	A276/479 Tp. 316	
4	Stem	A276/479 Tp. 316	
5	Seat ring	Carbon graphite filled PTFE	
6	Wrench	Nodular iron	
7	Gland nut	AISI 303	
8	Disk spring	E.N.P. Carbon St.	
9	Stop plate	AISI 304	
10	Gland	AISI 316	
11	Gland packing	Graphite	
12	Stem thrust seal	AISI 316 + HT-65	
14	Stop pin	Stainless St.	
16	Bolt	DIN 933 A2	
17	Washer	Stainless St.	
18	Thrust washer	25% G.F. PTFE	
19	Antistatic device	Stainless St.	
41	Spacer	Stainless St.	
46	Washer	AISI 304	
72	O Ring stem	FKM	



# Ball Valves Class 800 LICG & ICG Type

## Dimensions



**FIG. 411 CLASS 800**

DN	L	L1	R	ØP	N	h	H	M	Weight
½"	90	45	NPT	15	37,5	32	101	164	3,5
¾"	110	55	NPT	15	37,5	32	101	164	4,5
1"	120	60	NPT	20	42,5	35,5	105	164	5
1½"	150	75	NPT	28	60	50	111	210	6
2"	180	90	NPT	36	67,5	60	128	213	10

(\* ) Dimensions in mm and weight in kg.

**ACTUATOR CONNECTION**

ISO 5211	B	C	ØD	n x F	I	J
F04	18,7	7,8	42	4 x M5	M12x1,5	9
F04	18,7	7,8	42	4 x M5	M12x1,5	9
F05	20	8,6	50	4 x M6	M12x1,5	9
F05	31,5	15,5	50	4 x M6	M16x1,5	12
F07	38,5	19,2	70	4 x M8	M18x1,5	13

(\* ) Dimensions in mm and weight in kg.



# Ball Valves Class 800 LICG & ICG Type

## General Characteristics, P&T Rating, Torque

GENERAL CHARACTERISTICS	Fig. 411, Series <b>WFR</b>	<b>W</b> elded	<b>F</b> loating	<b>R</b> educed
<b>DESIGN STANDARDS</b>				
Valves design		EN ISO 17292		
Shell thickness		EN ISO 17292		
End to end dimensions	Manufacturer's standard			
Actuator mounting piece	ISO 5211			
Marking	EN 19	CE Mark > DN1"	A TEX	EN ISO 17292
<b>TESTS AND CERTIFICATES</b>				
Quality Assurance	ISO 9001			
Fire safe Certification	ISO 10497	BS 6755 Part 2	API 6FA	
Pressure testing	API 598		ISO 17292	EN 12266
Other	ISO 14001	A TEX		

### Torque Values in Nm

VALVE SIZE	AT DIFFERENTIAL PRESSURE	AT DIFFERENTIAL PRESSURE	AT DIFFERENTIAL PRESSURE		
	20 bar	55 bar	138 bar		
½"	7	10	16		
¾"	7	10	16		
1"	9	14	25		
1½"	19	34	71		
2"	43	79	164		

### Pressure-Temperature

P Bar

