

Ball Valves PN 16 HIT Construction (Grey Cast Iron)

Index



Fig. 512

Face to face dimensions DIN 3202 F18 / EN 558 Series 27

Manufacturing program:



Quality & Environmental Management:

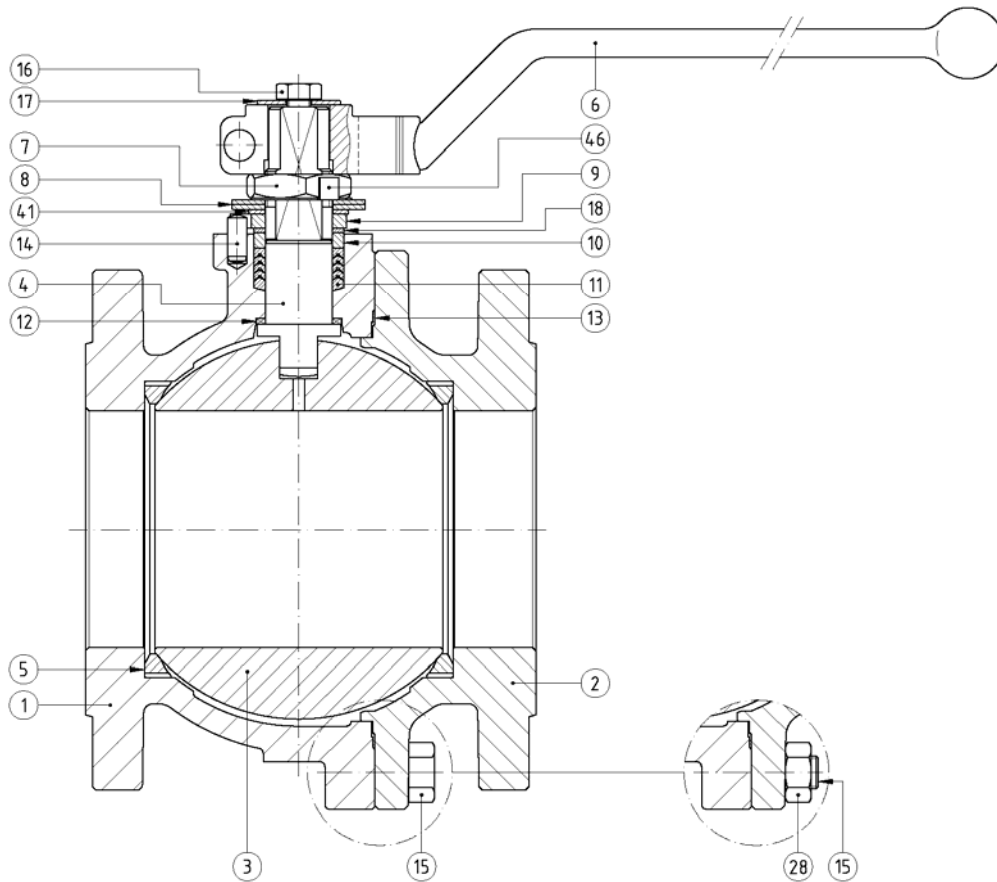




Ball Valves PN 16

DN 15 - 200 PN 16

Parts and materials



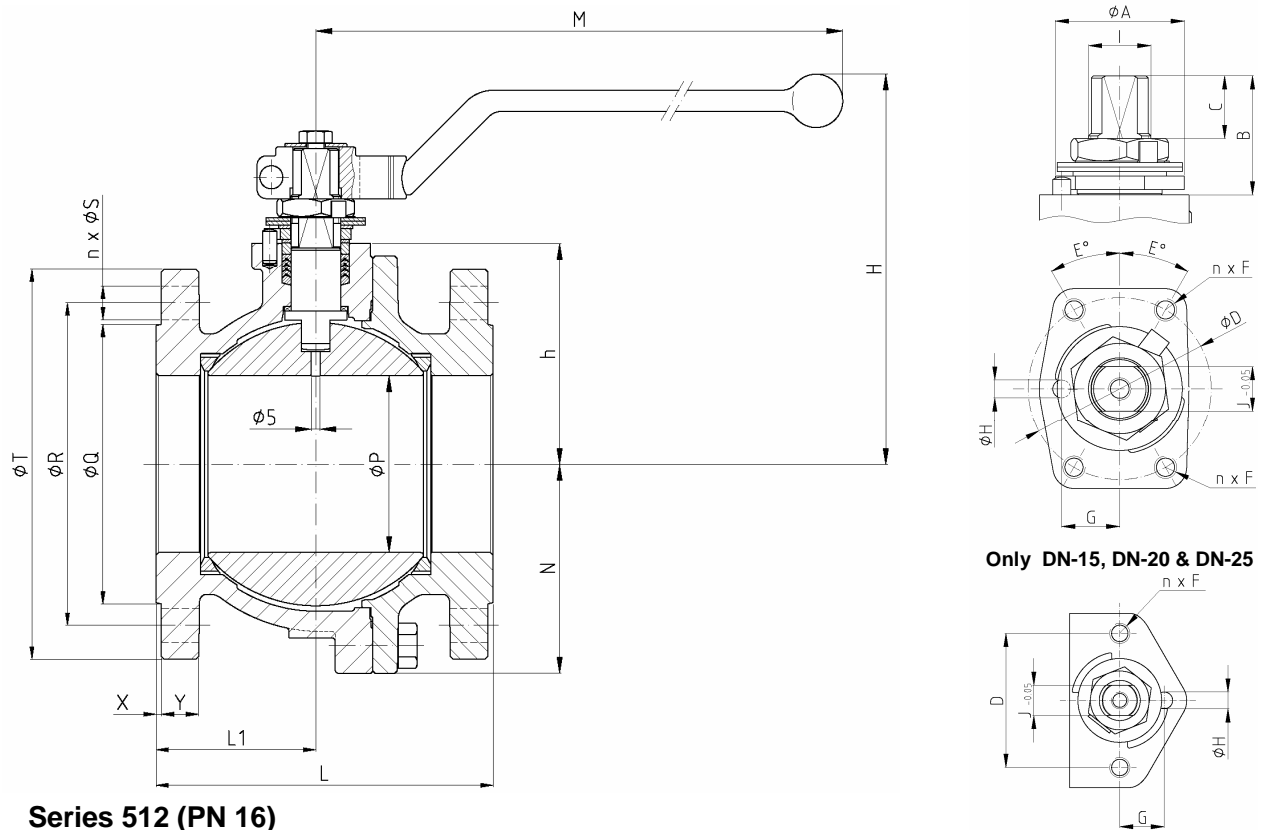
Item	Description	Material
1	Body	EN-GJL-250
2	Body connector	EN-GJL-250
3	Ball	AISI 410
4	Stem	AISI 303
5	Seat ring	PTFE
6	Wrench	Nodular Iron
7	Gland nut	Zinc plated carbon steel
8	Disk spring	Carbon St.
9	Stop plate	Carbon St.
10	Gland	AISI 303
11	Gland packing	PTFE
12	Stem thrust seal	25% G.F. PTFE
13	Body connector seal	PTFE
14	Stop pin	Carbon St.
15	Bolt (DN 100 Stud)	DIN 933 5.6 (DN-100 : F111)
16	Bolt	DIN 933 5.6 Zinc plated
17	Washer	Zinc plated carbon steel
18	Thrust washer	25% G.F. PTFE
28	Nut (only DN 100)	DIN 934 14.5
41	Spacer (DN 40 to 200)	Carbon St.
46	Washer	AISI 304
89	Identification plate	Stainless St.



Ball Valves PN 16

DN 15 - 200 PN 16

Dimensions



Series 512 (PN 16)

DN	ØP	L	L1	ØQ	ØR	n x ØS	ØT	X	Y	h	N	H	M	WEIGHT
15	15	115	50	46	65	4x14	95	2	12	29	---	99	164	2,39
20	20	120	52	56	75	4x14	105	2	14	32	---	102	164	3,19
25	25	125	52	65	85	4x14	115	3	13	36	---	106	164	3,9
32	32	130	54	76	100	4x18	140	3	15	54	---	117	210	6,3
40	40	140	55	84	110	4x18	150	3	15	64,5	---	133	213	8
50	50	150	61	99	125	4x18	165	3	17	72	---	141	213	10,7
65	65	170	75	118	145	4x18	185	3	17	83,5	---	152	348	15,4
80	80	180	78,5	132	160	8x18	200	3	19	95,5	---	189	445	20,2
100	100	190	90	156	180	8x18	220	3	21	125	118	220	495	25,8
125	125	325	141	184	210	8x18	250	3	23	151	143	254	698	49,5
150	150	350	160	211	240	8x22	285	3	23	170	168	281	698	74,1
200	200	400	200	266	295	12x22	340	3	27	224	208	338	868	110,5

(*) Dimensions in mm and weight in kg.

Actuator connection

DN	ØA	B	C	D	E	n x F	G	ØH	I	J
15	29	20	8,5	40	-	2x M6	13,3	5	M12x1.5	9
20	29	20	8,5	40	-	2x M6	13,3	5	M12x1.5	9
25	29	20	8,5	40	-	2x M6	13,3	5	M12x1.5	9
32	34	30	13	Ø50	30°	4xM6	15	5	M16x1.5	12
40	39	40,5	20	Ø56	30°	4x M10	18	6	M18x1.5	13
50	39	40,5	20	Ø56	30°	4x M10	18	6	M18x1.5	13
65	47	41	18,5	Ø65	30°	4x M10	22	6	M22x1.5	16
80	55	41,5	18,5	Ø74	30°	4x M10	24	8	M25x1.5	18
100	59	53,5	28,2	Ø82	30°	4x M10	26	8	M28x1.5	20
125	68	53	27,5	Ø100	40°	4x M12	30	8	M35x2	25
150	74	65	38,5	Ø104	40°	4x M12	33	8	M40x2	29
200	94	66	37	Ø130	40°	4x M16	42	10	M45x2	32

(*) Dimensions in mm and weight in kg.



Ball Valves PN 16

DN 15 - 200 PN 16

General Characteristics, Torque & Kv, P&T Rating

GENERAL CHARACTERISTICS	Fig.512 Series SFF	Split Body	Floating Ball	Full Bore
DESIGN STANDARDS				
Valves design	EN 1983	EN 1983		
Body design	EN 12516			
Flanges				
Flanges	DIN 2501 / EN 1092	EN 1092-2		
Face to face dimensions	EN 558 Series 27	EN 558 Series 27		
Actuator mounting flange	Manufacturer's Standard			
Marking	EN 19	CE - PED		
TESTS AND CERTIFICATES				
Quality Assurance	ISO 9001	CE-PED		
Pressure testing	DIN 3230 / EN 12266	EN 12266	EN 12266	
Other	ISO 14001	ATEX		

Torque Values in Nm

VALVE SIZE	AT DIFFERENTIAL PRESSURE		VALVE SIZE	AT DIFFERENTIAL PRESSURE	
	16 bar			16 bar	
DN 15	8		DN 65	55	
DN 20	10		DN 80	85	
DN 25	15		DN 100	130	
DN 32	22		DN 125	180	
DN 40	25		DN 150	250	
DN 50	40		DN 200	580	

Kv Values in m³/h

DN 15	DN 20	DN 25	DN 32	DN 40	DN 50
20	40	75	130	170	270
DN 65	DN 80	DN 100	DN 125	DN 150	DN 200
550	1000	1650	3000	4200	9000

Pressure-Temperature

