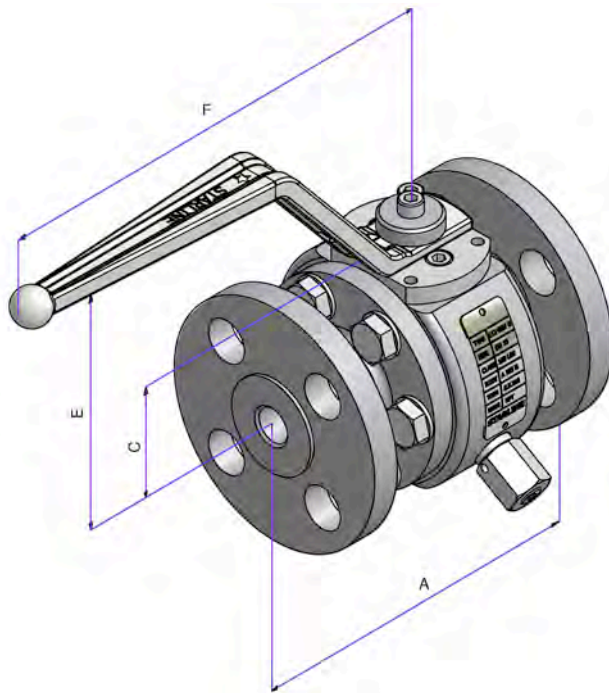
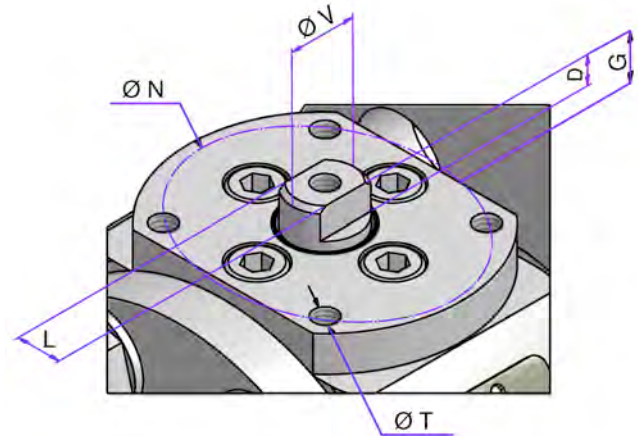


| ITEM NO. | Q. TY | PART NAME | MATERIAL (LF2/F316) | MATERIAL (F316/F316) | SPECIAL |
|-----------------|-------|--------------------|---|---|--------------|
| NP | 1 | Name Plate | Stainless Steel | Stainless Steel | |
| 2a | ***** | Top Cover Screw | ASTM A193 B8 | ASTM A193 B8 | |
| 2b | ***** | Trunnion Screw | ASTM A193 B8 | ASTM A193 B8 | |
| 3a | 1 | Stem Fire Seal | Graphite | Graphite | |
| 3b | 1 | Trunnion Fire Seal | Graphite | Graphite | |
| 5 | 1 | Upper Stem | ASTM A276/479 F316 | ASTM A276/479 F316 | |
| 6 | 1 | Top Cover | ASTM A350 LF2 | ASTM A276/479 F316 | |
| 7 | 1 | Thrust Washer | Reinforced PTFE | Reinforced PTFE | |
| 8 | ***** | Stem "O" Ring | VITON | VITON | |
| 8a | ***** | Trunnion "O" Ring | VITON | VITON | |
| 9 | 1 | Ball | ASTM A276/479 F316 | ASTM A276/479 F316 | |
| 10 | 2 | Insert Seat | T-R-S LOW PRESSURE N-D-P-E HIGH PRESSURE | T-R-S LOW PRESSURE N-D-P-E HIGH PRESSURE | METAL SEATED |
| 10a | 2 | Seat Ring | ASTM A276/479 F316 | ASTM A276/479 F316 | |
| 11 | 1 | Adaptor Fire Seal | Graphite | Graphite | |
| 12 | 1 | Body | ASTM A350 LF2 | ASTM A276/479 F316 | |
| 13 | 1 | Adaptor Flange | ASTM A350 LF2 | ASTM A276/479 F316 | |
| 15 - 15a | 2 | Antistatic Spring | INCONEL X -750 | INCONEL X -750 | |
| 16 | ***** | Adaptor Bolts | ASTM A320 L7M | ASTM A193 B8M | |
| 30a - 30b - 30c | 1+1+1 | Bearing | ASTM A276/479 F316 | ASTM A276/479 F316 | |
| 31 | ***** | Seat Spring | INCONEL X - 750 | INCONEL X - 750 | |
| 32 | 1 | Trunnion | ASTM A276/479 F316 | ASTM A276/479 F316 | |
| 33 | 2 | Seat Fire Seal | Graphite | Graphite | |
| 34 | ***** | Seat "O" Ring | VITON | VITON | |
| 35 | 1 | Adaptor "O" Ring | VITON | VITON | |
| 37 | 1 | Drain Plug | ASTM A276/479 F316 | ASTM A276/479 F316 | |
| 37a | 1 | Drain "O" Ring | VITON | VITON | |

Recommended spare parts

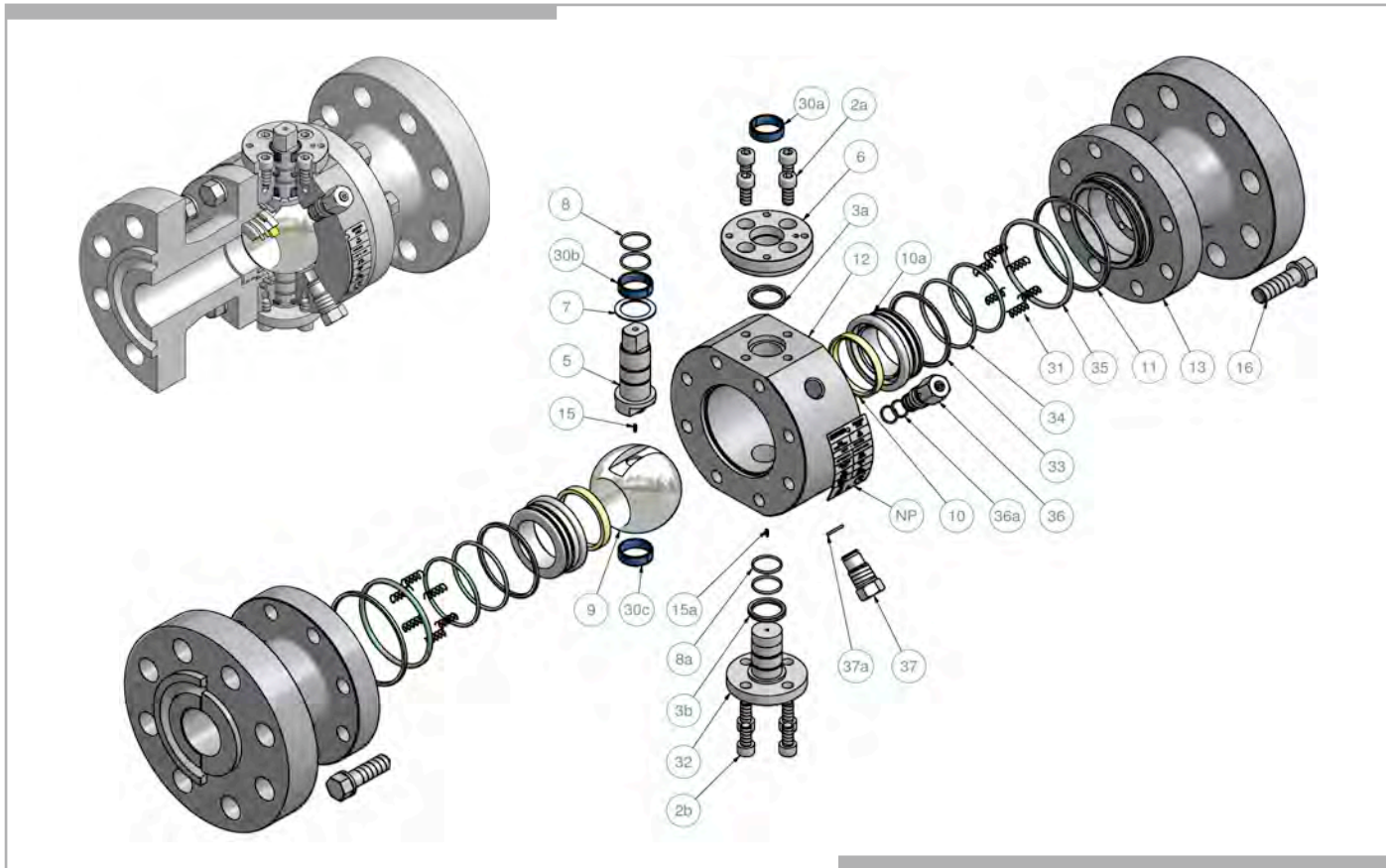
**RF-RTJ****TOP VIEW**

| FULL BORE | | | | | | | | | | | | | | |
|-------------|---------|-------------------|-------|-------|-------|------|----|-----|-------|---------------|-----|-------|-------|--|
| VALVE SIZE | | DIMENSIONS [mm] | | | | | | | | WEIGHT [Kg] | | | | |
| INCH | mm | A | | | | BORE | C | E | F | RF | RTJ | SW-BW | NPT/F | |
| | | RF | RTJ | SW-BW | NPT/F | | | | | | | | | |
| 1/2" x 1/2" | 15 x 15 | 108 | - | 165 | 2.5 | 12.7 | 40 | 95 | 172.5 | 3.5 | 4 | 3 | 3 | |
| 3/4" x 3/4" | 20 x 20 | 117.5 | - | 191 | 5.5 | 19 | 48 | 102 | 218 | 6 | 6.5 | 6 | 6 | |
| 1" x 1" | 25 x 25 | 127 | 139.5 | 216 | 8.5 | 25.4 | 61 | 115 | 218 | 8.5 | 9.5 | 9 | 9 | |

| MANUAL GEAR OPERATION OR AUTOMATION | | | | | | | |
|-------------------------------------|-----|-----|-----|----|----|-----|----------|
| DIMENSIONS [mm] | | | | | | | ISO 5211 |
| V | L | D | G | N | T | | |
| 12 | 7.5 | 5 | 6.5 | 42 | M5 | F04 | |
| 15 | 9 | 7.5 | 8.5 | 50 | M6 | F05 | |
| 15 | 9 | 9 | 10 | 50 | M6 | F05 | |

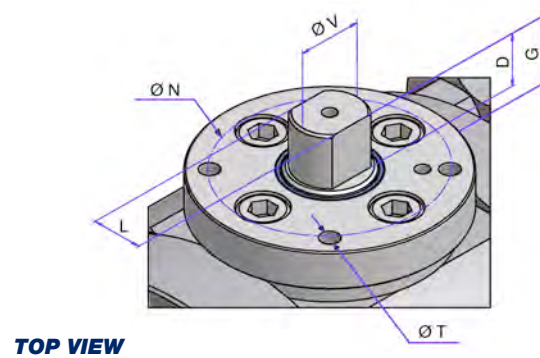
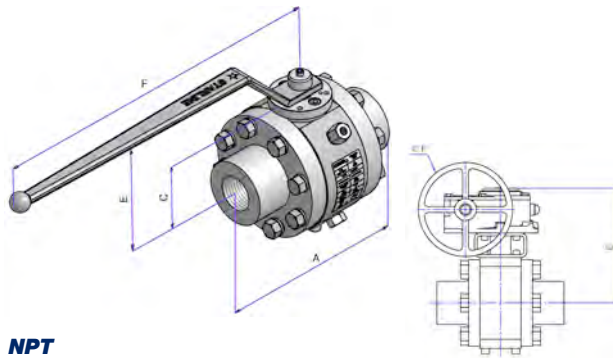
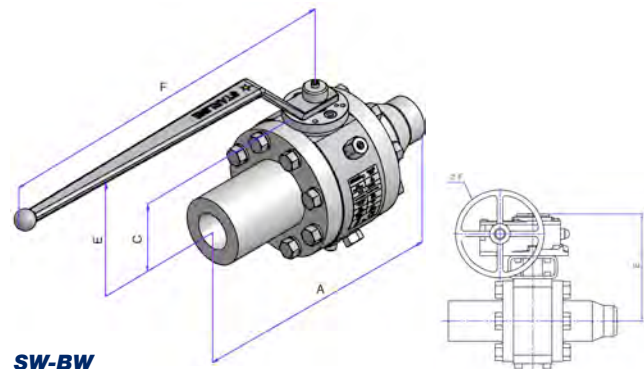
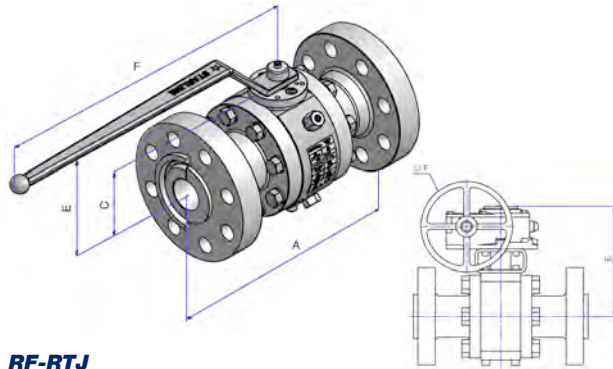
| REDUCED BORE | | | | | | | | | | | | | | |
|--------------|---------|-------------------|-------|-------|-------|------|----|-----|-------|---------------|-----|-------|-------|--|
| VALVE SIZE | | DIMENSIONS [mm] | | | | | | | | WEIGHT [Kg] | | | | |
| INCH | mm | A | | | | BORE | C | E | F | RF | RTJ | SW-BW | NPT/F | |
| | | RF | RTJ | SW-BW | NPT/F | | | | | | | | | |
| 3/4" x 1/2" | 20 x 15 | 117.5 | - | 191 | 2.5 | 12.7 | 40 | 95 | 172.5 | 5 | 5.5 | 3.5 | 3.5 | |
| 1" x 3/4" | 25 x 20 | 127 | 139.5 | 216 | 5.5 | 19 | 48 | 102 | 218 | 6.5 | 7 | 6.5 | 6.5 | |
| 1.1/4" x 1" | 32 x 25 | 139.5 | 152.5 | 229 | 8.5 | 25.4 | 61 | 115 | 218 | 10 | 11 | 9.5 | 9.5 | |
| 1.1/2" x 1" | 40 x 25 | 165 | 178 | 241 | 8.5 | 25.4 | 61 | 115 | 218 | 12 | 13 | 9.5 | 9.5 | |

| MANUAL GEAR OPERATION OR AUTOMATION | | | | | | | |
|-------------------------------------|-----|-----|-----|----|----|-----|----------|
| DIMENSIONS [mm] | | | | | | | ISO 5211 |
| V | L | D | G | N | T | | |
| 12 | 7.5 | 5 | 6.5 | 42 | M5 | F04 | |
| 15 | 9 | 7.5 | 8.5 | 50 | M6 | F05 | |
| 15 | 9 | 9 | 10 | 50 | M6 | F05 | |
| 15 | 9 | 9 | 10 | 50 | M6 | F05 | |



| ITEM NO. | Q. TY | PART NAME | MATERIAL (LF2/F316) | MATERIAL (F316/F316) | SPECIAL |
|-----------------|-------|----------------------|---|---|--------------|
| NP | 1 | Name Plate | Stainless Steel | Stainless Steel | |
| 2 a | ***** | Top Cover Screw | ASTM A193 B8 | ASTM A193 B8 | |
| 2 b | ***** | Trunnion Screw | ASTM A193 B8 | ASTM A193 B8 | |
| 3 a | 1 | Stem Fire Seal | Graphite | Graphite | |
| 3 b | 1 | Trunnion Fire Seal | Graphite | Graphite | |
| 5 | 1 | Upper Stem | ASTM A276/479 F316 | ASTM A276/479 F316 | |
| 6 | 1 | Top Cover | ASTM A350 LF2 | ASTM A276/479 F316 | |
| 7 | 1 | Thrust Washer | Reinforced PTFE | Reinforced PTFE | |
| 8 | ***** | Stem "O" Ring | VITON | VITON | |
| 8 a | ***** | Trunnion "O" Ring | VITON | VITON | |
| 9 | 1 | Ball | ASTM A276/479 F316 | ASTM A276/479 F316 | |
| 10 | 2 | Insert Seat | T-R-S LOW PRESSURE N-D-P-E HIGH PRESSURE | T-R-S LOW PRESSURE N-D-P-E HIGH PRESSURE | METAL SEATED |
| 10 a | 2 | Seat Ring | ASTM A276/479 F316 | ASTM A276/479 F316 | |
| 11 | 2 | Adaptor Fire Seal | Graphite | Graphite | |
| 12 | 1 | Body | ASTM A350 LF2 | ASTM A276/479 F316 | |
| 13 | 2 | Adaptor Flange | ASTM A350 LF2 | ASTM A276/479 F316 | |
| 15 - 15 a | 2 | Antistatic Spring | INCONEL X -750 | INCONEL X -750 | |
| 16 | ***** | Adaptor Bolts | ASTM A320 L7M | ASTM A193 B8M | |
| 30a - 30b - 30c | 1+1+1 | Bearing | ASTM A276/479 F316 | ASTM A276/479 F316 | |
| 31 | ***** | Seat Spring | INCONEL X - 750 | INCONEL X - 750 | |
| 32 | 1 | Trunnion | ASTM A276/479 F316 | ASTM A276/479 F316 | |
| 33 | 2 | Seat Fire Seal | Graphite | Graphite | |
| 34 | ***** | Seat "O" Ring | VITON | VITON | |
| 35 | 2 | Adaptor "O" Ring | VITON | VITON | |
| 36 | 1 | Vent valve / bleeder | ASTM A276/479 F316 | ASTM A276/479 F316 | |
| 36 a | 2 | Vent "O" Ring | VITON | VITON | |
| 37 | 1 | Drain Plug | ASTM A276/479 F316 | ASTM A276/479 F316 | |
| 37 a | 1 | Drain "O" Ring | VITON | VITON | |

Recommended spare parts



| FULL BORE | | | | | | | | | | | | | |
|-----------------|-----------|-------------------|-------|-------|-------|-------|-----|-----|-------|---------------|-----|-------|-------|
| VALVE SIZE | | DIMENSIONS [mm] | | | | | | | | WEIGHT [Kg] | | | |
| INCH | mm | A | | | | BORE | C | E | F | RF | RTJ | SW-BW | NPT/F |
| | | RF | RTJ | SW-BW | NPT/F | | | | | | | | |
| 1/2" x 1/2" | 15 x 15 | - | - | 165 | 130 | 12.7 | 40 | 95 | 172.5 | - | - | 3 | 3 |
| 3/4" x 3/4" | 20 x 20 | - | - | 191 | 145 | 19 | 48 | 102 | 218 | - | - | 6 | 6 |
| 1" x 1" | 25 x 25 | - | - | 216 | 170 | 25.4 | 61 | 115 | 218 | - | - | 9 | 9 |
| 1.1/2" x 1.1/2" | 40 x 40 | 165 | 178 | 241 | 210 | 38 | 72 | 130 | 420 | 14 | 15 | 12.5 | 12.5 |
| 2" x 2" | 50 x 50 | 178 | 190.5 | 292 | 230 | 51 | 88 | 146 | 420 | 21 | 25 | 22 | 22 |
| 3" x 3" | 80 x 80 | 203 | 216 | 356 | - | 76 | 120 | 177 | 420 | 55 | 57 | 48 | - |
| 4" x 4" | 100 x 100 | 228.5 | 241 | 432 | - | 101.6 | 160 | 350 | 400 | 105 | 110 | 100 | - |

| MANUAL GEAR OPERATION OR AUTOMATION | | | | | | | |
|-------------------------------------|-----|------|-----|-----|-----|-----|----------|
| DIMENSIONS [mm] | | | | | | | ISO 5211 |
| V | L | D | G | N | T | | |
| 12 | 7.5 | 5 | 6.5 | 42 | M5 | F04 | |
| 15 | 9 | 7.5 | 8.5 | 50 | M6 | F05 | |
| 15 | 9 | 9 | 10 | 50 | M6 | F05 | |
| 22 | 16 | 16 | 19 | 70 | M8 | F07 | |
| 22 | 16 | 16 | 19 | 70 | M8 | F07 | |
| 24 | 18 | 22.5 | 24 | 70 | M8 | F07 | |
| 40 | 30 | 30 | 32 | 102 | M10 | F10 | |

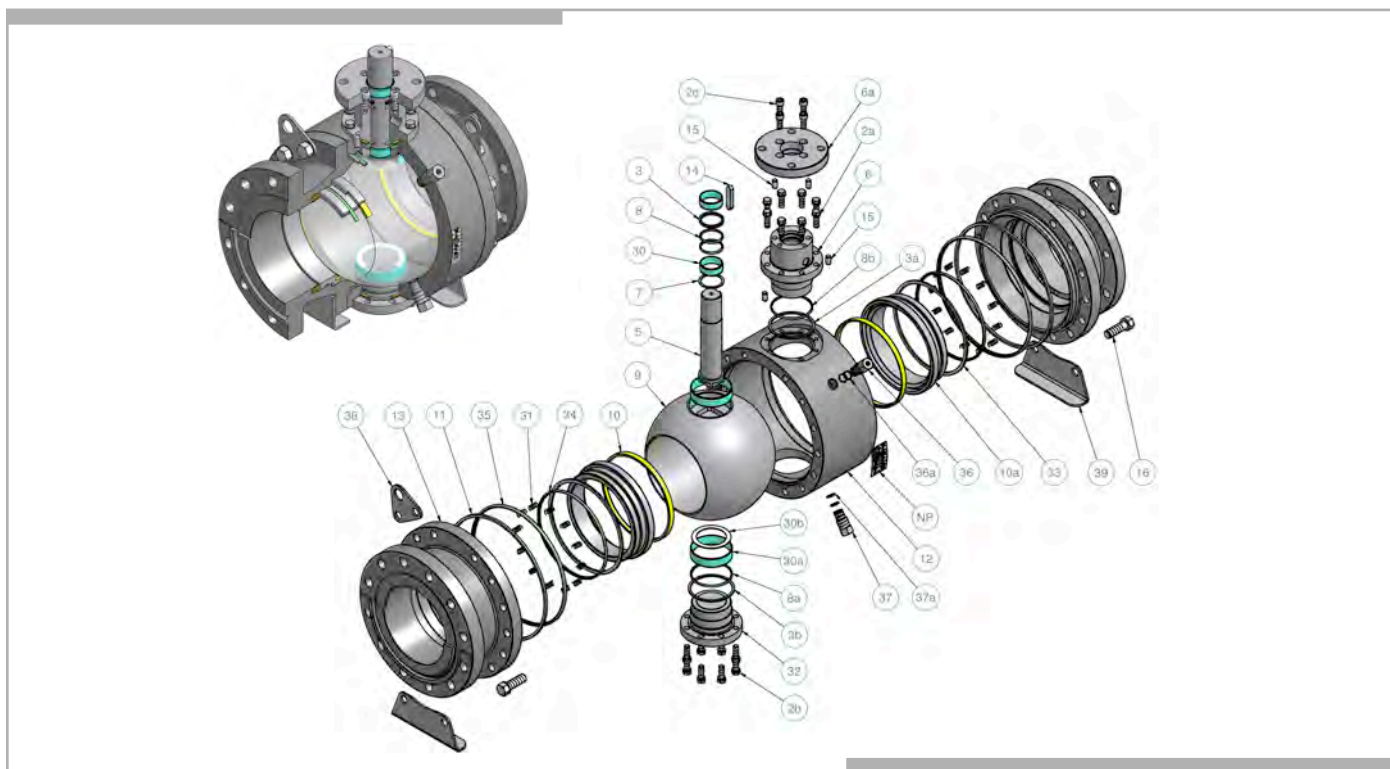
| REDUCED BORE | | | | | | | | | | | | | |
|--------------|-----------|-------------------|-------|-------|-------|-------|-----|-----|-------|---------------|-----|-------|-------|
| VALVE SIZE | | DIMENSIONS [mm] | | | | | | | | WEIGHT [Kg] | | | |
| INCH | mm | A | | | | BORE | C | E | F | RF | RTJ | SW-BW | NPT/F |
| | | RF | RTJ | SW-BW | NPT/F | | | | | | | | |
| 3/4" x 1/2" | 20 x 15 | - | - | 191 | 130 | 12.7 | 40 | 95 | 172.5 | - | - | 3.5 | 3.5 |
| 1" x 3/4" | 25 x 20 | - | - | 216 | 145 | 19 | 48 | 102 | 218 | - | - | 6.5 | 6.5 |
| 1.1/4" x 1" | 32 x 25 | - | - | 229 | 170 | 25.4 | 61 | 115 | 218 | - | - | 9.5 | 9.5 |
| 1.1/2" x 1" | 40 x 25 | - | - | 241 | 170 | 25.4 | 61 | 115 | 218 | - | - | 9.5 | 9.5 |
| 2" x 1.1/2" | 50 x 40 | 178 | 190.5 | 292 | 210 | 38 | 72 | 130 | 420 | 21 | 25 | 13.5 | 13.5 |
| 3" x 2" | 80 x 50 | 203 | 216 | 356 | - | 51 | 88 | 146 | 420 | 55 | 57 | 55 | - |
| 4" x 3" | 100 x 80 | 228.5 | 241 | 432 | - | 76 | 120 | 177 | 420 | 75 | 78 | 112 | - |
| 6" x 4" | 150 x 100 | 394 | 406.5 | 559 | - | 101.6 | 160 | 350 | 400 | 115 | 118 | 112 | - |

| MANUAL GEAR OPERATION OR AUTOMATION | | | | | | | |
|-------------------------------------|-----|------|-----|-----|-----|-----|----------|
| DIMENSIONS [mm] | | | | | | | ISO 5211 |
| V | L | D | G | N | T | | |
| 12 | 7.5 | 5 | 6.5 | 42 | M6 | F04 | |
| 15 | 9 | 7.5 | 8.5 | 50 | M6 | F05 | |
| 15 | 9 | 9 | 10 | 50 | M6 | F05 | |
| 15 | 9 | 9 | 10 | 50 | M6 | F05 | |
| 22 | 16 | 16 | 19 | 70 | M8 | F07 | |
| 22 | 16 | 16 | 19 | 70 | M8 | F07 | |
| 24 | 18 | 22.5 | 24 | 70 | M8 | F07 | |
| 40 | 30 | 30 | 32 | 102 | M10 | F10 | |

 Gear Operated

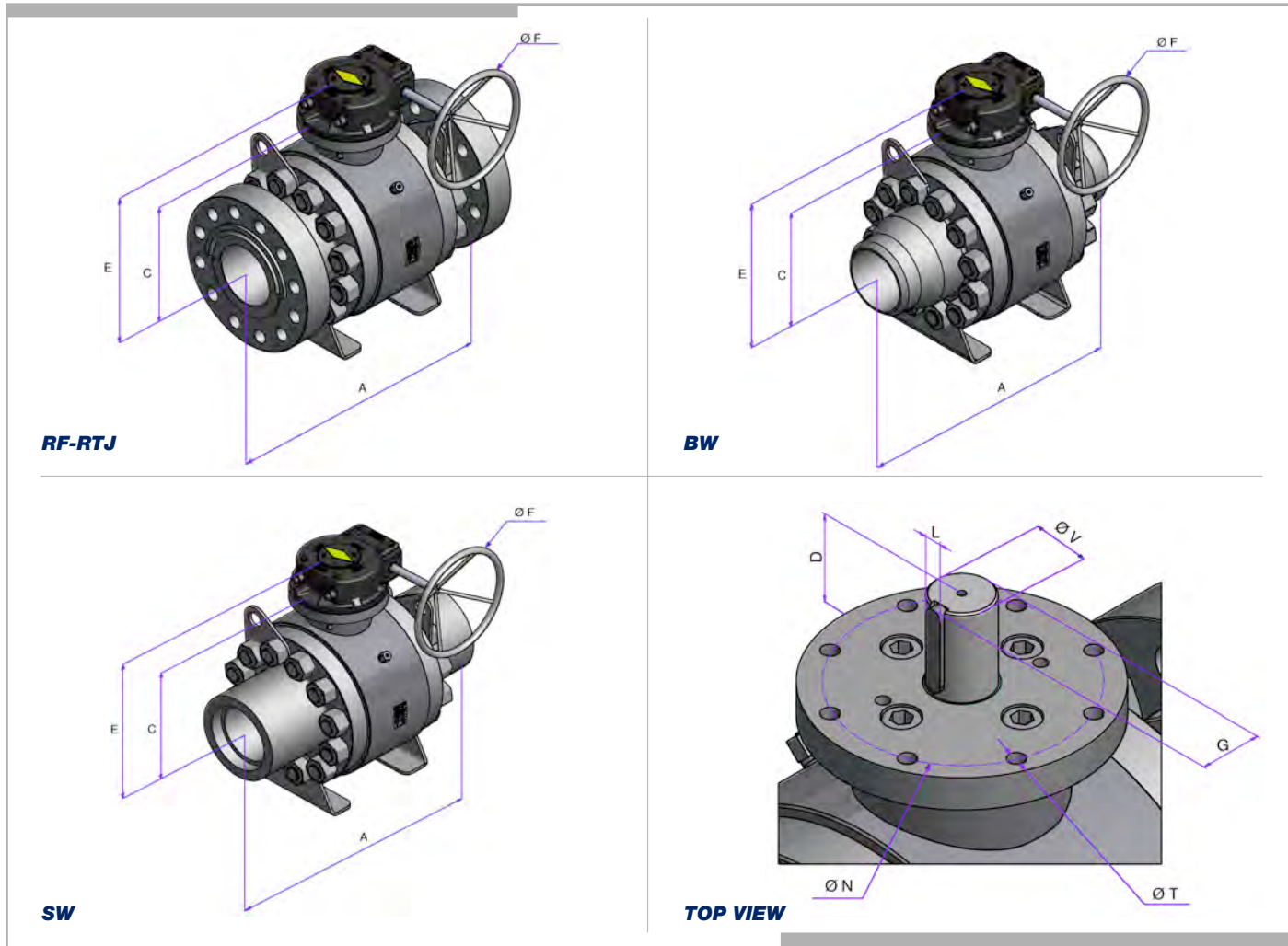
 Split Body Construction

Dimensions and weights are subject to change without notice.
 Face to face dimensions not listed in industry standards are subject to change without notice.



| ITEM NO. | Q.TY | PART NAME | MATERIAL (LF2/F316) | MATERIAL (F316/F316) | SPECIAL |
|----------------|-------|------------------------------------|---|---|--------------|
| NP | 1 | Name Plate | Stainless Steel | Stainless Steel | |
| 2a | ***** | Top Cover Screw | ASTM A193 B8 | ASTM A193 B8 | |
| 2b | ***** | Trunnion Screw | ASTM A193 B8 | ASTM A193 B8 | |
| 2c | ***** | Upper Flange Screw | ASTM A193 B8 | ASTM A193 B8 | |
| 3 | 1 | Stem Fire Seal | Graphite | Graphite | |
| 3a | 1 | Top Cover Fire Seal | Graphite | Graphite | |
| 3b | 1 | Trunnion Fire Seal | Graphite | Graphite | |
| 5 | 1 | Upper Stem | ASTM A276/479 F316 | ASTM A276/479 F316 | |
| 6 | 1 | Top Cover | ASTM A350 LF2 | ASTM A276/479 F316 | |
| 6a | 1 | Upper Flange | ASTM A350 LF2 | ASTM A276/479 F316 | |
| 7 | 1 | Thrust Washer | Reinforced PTFE | Reinforced PTFE | |
| 8 - 8a - 8b | ***** | Stem - Trunnion Top Cover "O" Ring | VITON | VITON | |
| 9 | 1 | Ball | ASTM A276/479 F316 | ASTM A276/479 F316 | |
| 10 | 2 | Insert Seat | T-R-S LOW PRESSURE N-D-P-E HIGH PRESSURE | T-R-S LOW PRESSURE N-D-P-E HIGH PRESSURE | METAL SEATED |
| 10a | 2 | Seat Ring | ASTM A276/479 F316 | ASTM A276/479 F316 | |
| 11 | 2 | Adaptor Fire Seal | Graphite | Graphite | |
| 12 | 1 | Body | ASTM A350 LF2 | ASTM A276/479 F316 | |
| 13 | 2 | Adaptor Flange | ASTM A350 LF2 | ASTM A276/479 F316 | |
| 14 | 1 | Stem Key | Carbon Steel | Carbon Steel | |
| 15 | 4 | Top Cover / Upper Flange Pin | INCONEL X - 750 | INCONEL X - 750 | |
| 16 | ***** | Adaptor Bolts | ASTM A320 L7M | ASTM A193 B8M | |
| 30 - 30a - 30b | 2+2+1 | Stem - Ball - Trunnion Bearing | ASTM A276/479 F316 | ASTM A276/479 F316 | |
| 31 | ***** | Seat Spring | INCONEL X - 750 | INCONEL X - 750 | |
| 32 | 1 | Trunnion | ASTM A276/479 F316 | ASTM A276/479 F316 | |
| 33 | 2 | Seat Fire Seal | Graphite | Graphite | |
| 34 | 2 | Seat "O" Ring | VITON | VITON | |
| 35 | 2 | Adaptor "O" Ring | VITON | VITON | |
| 36 | 1 | Vent valve / bleeder | ASTM A276/479 F316 | ASTM A276/479 F316 | |
| 36a | 2 | Vent "O" Ring | VITON | VITON | |
| 37 | 1 | Drain Plug | ASTM A276/479 F316 | ASTM A276/479 F316 | |
| 37a | 1 | Drain "O" Ring | VITON | VITON | |
| 38 | 2 | Lifting Lug | ASTM A350 LF2 | ASTM A276/479 F316 | |
| 39 | 2 | Foot | ASTM A350 LF2 | ASTM A276/479 F316 | |

Recommended spare parts



| FULL BORE | | | | | | | | | | | | |
|------------|-----------|-------------------|-------|-----|-----|------|-------|-----|-----|---------------|-----|-------|
| VALVE SIZE | | DIMENSIONS [mm] | | | | | | | | WEIGHT [Kg] | | |
| INCH | mm | A | | | | BORE | C | E | F | RF | RTJ | SW-BW |
| | | RF | RTJ | SW | BW | | | | | | | |
| 6" x 6" | 150 x 150 | 394 | 406.5 | 559 | 559 | 152 | 249 | 340 | 500 | 230 | 235 | 225 |
| 8" x 8" | 200 x 200 | 457 | 470 | 521 | 521 | 201 | 293.5 | 417 | 800 | 270 | 280 | 265 |
| 10" x 10" | 250 x 250 | 533 | 546 | 559 | 559 | 252 | 335 | 461 | 800 | 500 | 510 | 450 |

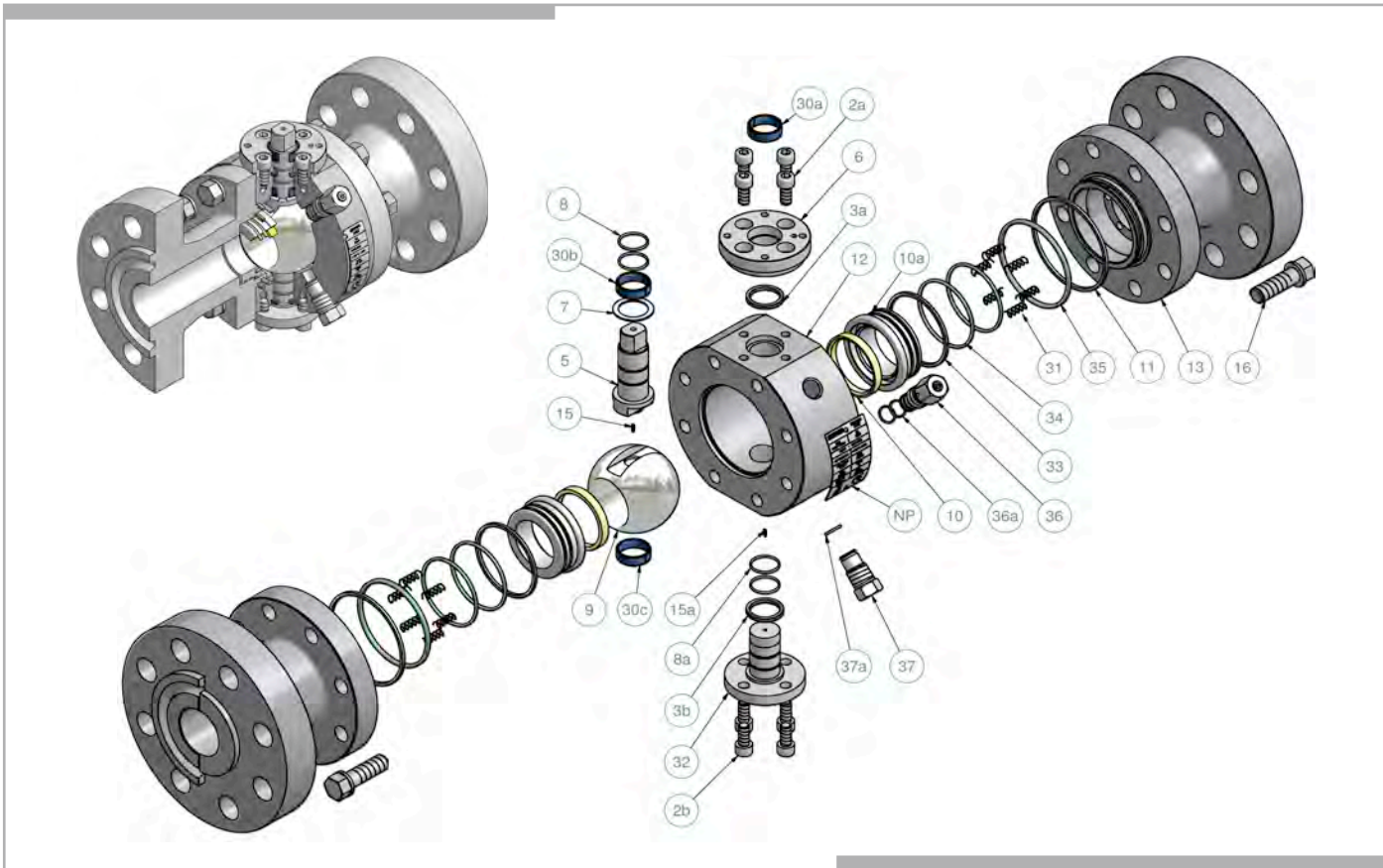
| MANUAL GEAR OPERATION OR AUTOMATION | | | | | | |
|-------------------------------------|----|------|------|-----|----|----------|
| DIMENSIONS [mm] | | | | | | ISO 5211 |
| V | L | D | G | N | T | |
| 48 | 14 | 68 | 51.5 | 140 | 18 | F14 |
| 48 | 14 | 81.5 | 51.5 | 140 | 18 | F14 |
| 58 | 16 | 82 | 62 | 165 | 21 | F16 |

| REDUCED BORE | | | | | | | | | | | | |
|--------------|-----------|-------------------|-----|-------|-------|------|-------|-----|-----|---------------|-----|-------|
| VALVE SIZE | | DIMENSIONS [mm] | | | | | | | | WEIGHT [Kg] | | |
| INCH | mm | A | | | | BORE | C | E | F | RF | RTJ | SW-BW |
| | | RF | RTJ | SW | BW | | | | | | | |
| 8" x 6" | 200 x 150 | 457 | 470 | 660.5 | 660.5 | 152 | 249 | 340 | 500 | 250 | 260 | 240 |
| 10" x 8" | 250 x 200 | 533 | 546 | 559 | 559 | 201 | 293.5 | 417 | 800 | 290 | 300 | 280 |
| 12" x 10" | 300 x 250 | 610 | 622 | 635 | 635 | 252 | 335 | 461 | 800 | 550 | 560 | 500 |

| MANUAL GEAR OPERATION OR AUTOMATION | | | | | | |
|-------------------------------------|----|------|------|-----|----|----------|
| DIMENSIONS [mm] | | | | | | ISO 5211 |
| V | L | D | G | N | T | |
| 48 | 14 | 68 | 51.5 | 140 | 18 | F14 |
| 48 | 14 | 81.5 | 51.5 | 140 | 18 | F14 |
| 58 | 16 | 82 | 62 | 165 | 21 | F16 |

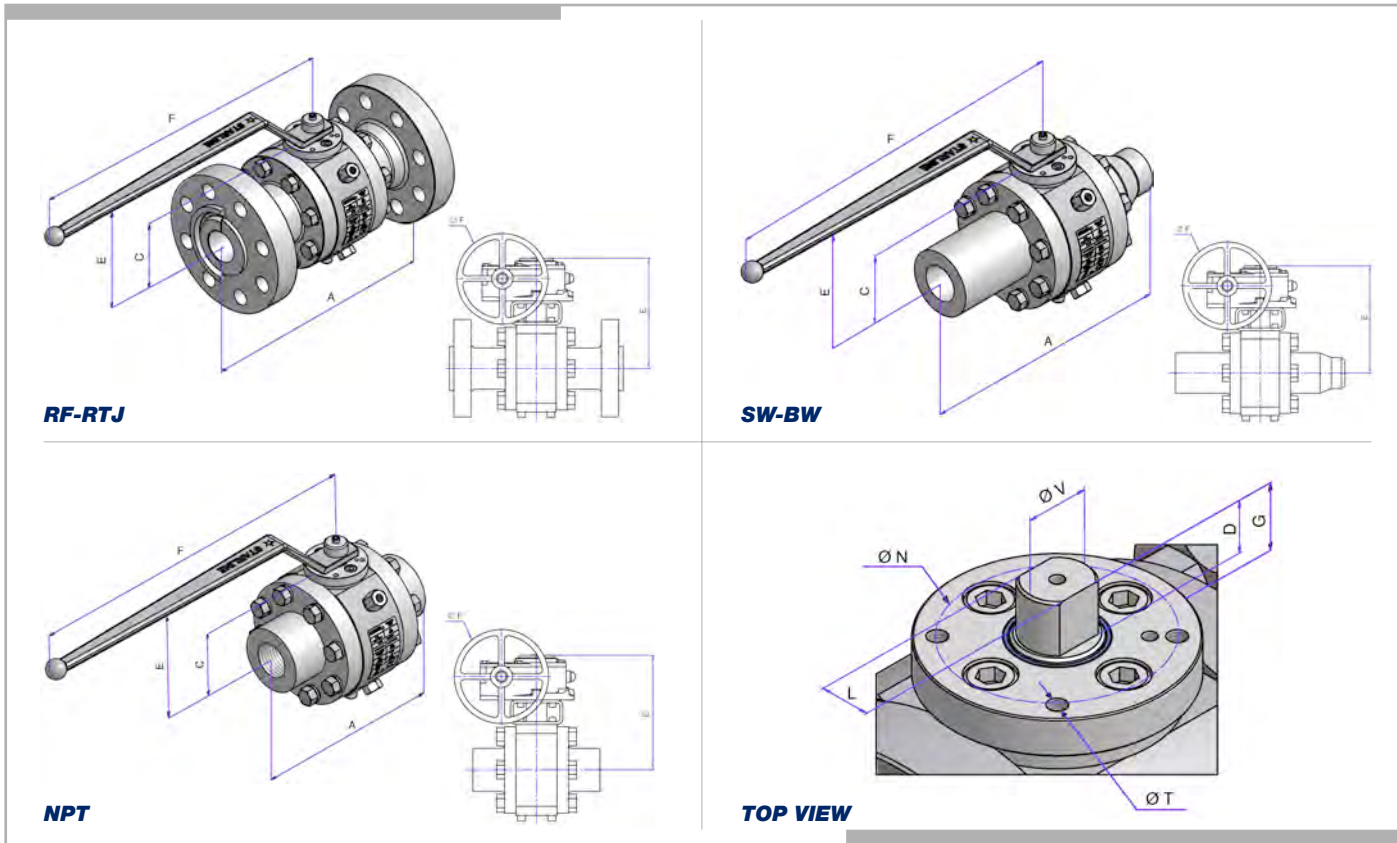
Gear Operated

Dimensions and weights are subject to change without notice.
 Face to face dimensions not listed in industry standards are subject to change without notice.



| ITEM NO. | Q. TY | PART NAME | MATERIAL (LF2/F316) | MATERIAL (F316/F316) | SPECIAL |
|-----------------|-------|----------------------|---|---|--------------|
| NP | 1 | Name Plate | Stainless Steel | Stainless Steel | |
| 2a | ***** | Top Cover Screw | ASTM A193 B8 | ASTM A193 B8 | |
| 2b | ***** | Trunnion Screw | ASTM A193 B8 | ASTM A193 B8 | |
| 3a | 1 | Stem Fire Seal | Graphite | Graphite | |
| 3b | 1 | Trunnion Fire Seal | Graphite | Graphite | |
| 5 | 1 | Upper Stem | ASTM A276/479 F316 | ASTM A276/479 F316 | |
| 6 | 1 | Top Cover | ASTM A350 LF2 | ASTM A276/479 F316 | |
| 7 | 1 | Thrust Washer | Reinforced PTFE | Reinforced PTFE | |
| 8 | ***** | Stem "O" Ring | VITON | VITON | |
| 8a | ***** | Trunnion "O" Ring | VITON | VITON | |
| 9 | 1 | Ball | ASTM A276/479 F316 | ASTM A276/479 F316 | |
| 10 | 2 | Insert Seat | T-R-S LOW PRESSURE N-D-P-E HIGH PRESSURE | T-R-S LOW PRESSURE N-D-P-E HIGH PRESSURE | METAL SEATED |
| 10a | 2 | Seat Ring | ASTM A276/479 F316 | ASTM A276/479 F316 | |
| 11 | 2 | Adaptor Fire Seal | Graphite | Graphite | |
| 12 | 1 | Body | ASTM A350 LF2 | ASTM A276/479 F316 | |
| 13 | 2 | Adaptor Flange | ASTM A350 LF2 | ASTM A276/479 F316 | |
| 15 - 15a | 2 | Antistatic Spring | INCONEL X -750 | INCONEL X -750 | |
| 16 | ***** | Adaptor Bolts | ASTM A320 L7M | ASTM A193 B8M | |
| 30a - 30b - 30c | 1+1+1 | Bearing | ASTM A276/479 F316 | ASTM A276/479 F316 | |
| 31 | ***** | Seat Spring | INCONEL X - 750 | INCONEL X - 750 | |
| 32 | 1 | Trunnion | ASTM A276/479 F316 | ASTM A276/479 F316 | |
| 33 | 2 | Seat Fire Seal | Graphite | Graphite | |
| 34 | ***** | Seat "O" Ring | VITON | VITON | |
| 35 | 2 | Adaptor "O" Ring | VITON | VITON | |
| 36 | 1 | Vent valve / bleeder | ASTM A276/479 F316 | ASTM A276/479 F316 | |
| 36a | 2 | Vent "O" Ring | VITON | VITON | |
| 37 | 1 | Drain Plug | ASTM A276/479 F316 | ASTM A276/479 F316 | |
| 37a | 1 | Drain "O" Ring | VITON | VITON | |

Recommended spare parts



| FULL BORE | | | | | | | | | | | | | | |
|-----------------|-----------|-------------------|-------|-------|-------|-------|-----|-----|-------|---------------|-----|-------|-------|--|
| VALVE SIZE | | DIMENSIONS [mm] | | | | | | | | WEIGHT [Kg] | | | | |
| INCH | mm | A | | | | BORE | C | E | F | RF | RTJ | SW-BW | NPT/F | |
| | | RF | RTJ | SW-BW | NPT/F | | | | | | | | | |
| 1/2" x 1/2" | 15 x 15 | 140 | 152 | 165 | 2.5 | 12.7 | 40 | 95 | 172.5 | 4 | 4.5 | 3 | 3 | |
| 3/4" x 3/4" | 20 x 20 | 152 | 165 | 191 | 5.5 | 19 | 48 | 102 | 218 | 6.5 | 7 | 6 | 6 | |
| 1" x 1" | 25 x 25 | 165 | 178 | 216 | 8.5 | 25.4 | 61 | 115 | 218 | 9 | 10 | 9 | 9 | |
| 1.1/2" x 1.1/2" | 40 x 40 | 191 | 203 | 241 | 210 | 38 | 72 | 130 | 420 | 15 | 16 | 12.5 | 12.5 | |
| 2" x 2" | 50 x 50 | 216 | 232 | 292 | 230 | 51 | 88 | 146 | 420 | 22 | 26 | 22 | 22 | |
| 3" x 3" | 80 x 80 | 283 | 298 | 356 | - | 76 | 120 | 177 | 420 | 57 | 60 | 48 | - | |
| 4" x 4" | 100 x 100 | 305 | 320.5 | 432 | - | 101.6 | 160 | 350 | 400 | 110 | 112 | 98 | - | |

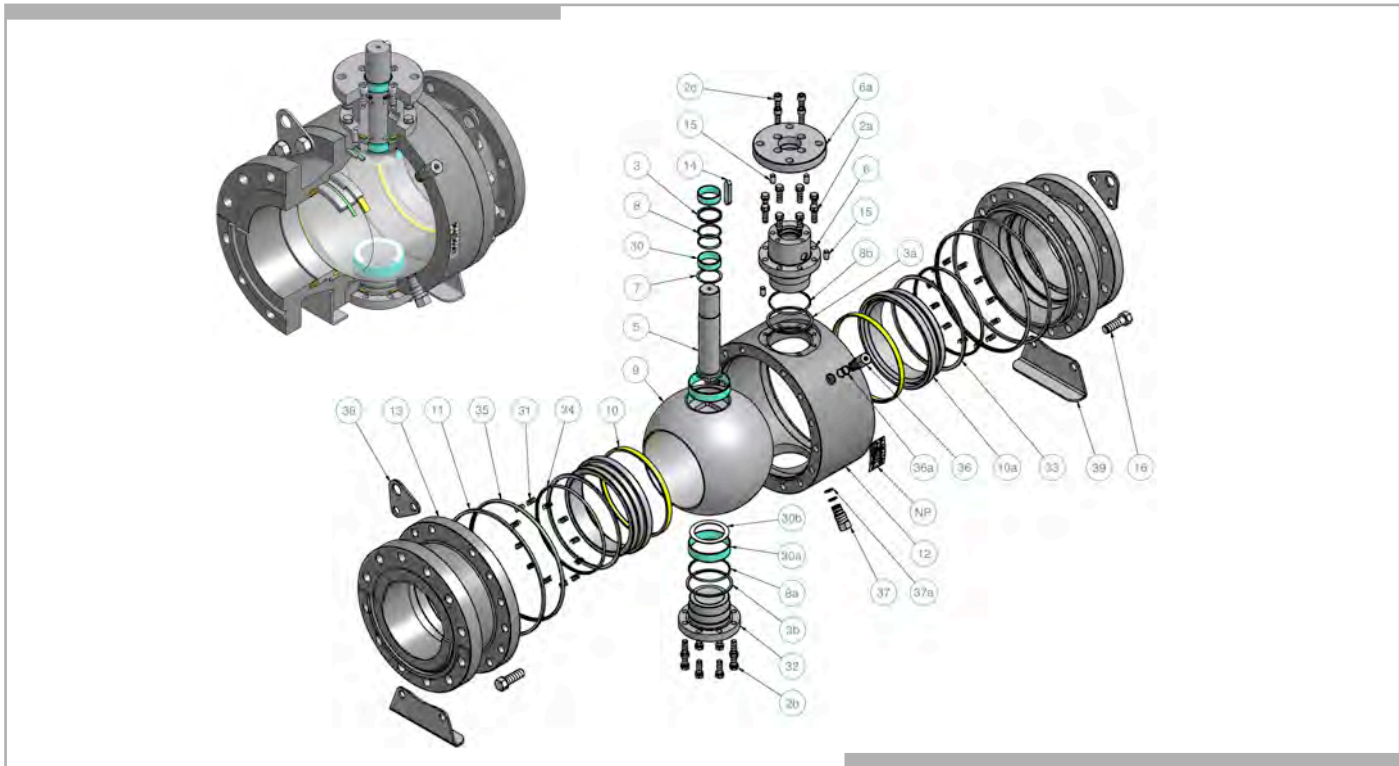
| MANUAL GEAR OPERATION OR AUTOMATION | | | | | | | |
|-------------------------------------|-----|------|-----|-----|-----|-----|----------|
| DIMENSIONS [mm] | | | | | | | ISO 5211 |
| V | L | D | G | N | T | | |
| 12 | 7.5 | 5 | 6.5 | 42 | M5 | F04 | |
| 15 | 9 | 7.5 | 8.5 | 50 | M6 | F05 | |
| 15 | 9 | 9 | 10 | 50 | M6 | F05 | |
| 22 | 16 | 16 | 19 | 70 | M8 | F07 | |
| 22 | 16 | 16 | 19 | 70 | M8 | F07 | |
| 24 | 18 | 22.5 | 24 | 70 | M8 | F07 | |
| 40 | 30 | 30 | 32 | 102 | M10 | F10 | |

| REDUCED BORE | | | | | | | | | | | | | | |
|--------------|-----------|-------------------|-------|-------|-------|-------|-----|-----|-------|---------------|-----|-------|-------|--|
| VALVE SIZE | | DIMENSIONS [mm] | | | | | | | | WEIGHT [Kg] | | | | |
| INCH | mm | A | | | | BORE | C | E | F | RF | RTJ | SW-BW | NPT/F | |
| | | RF | RTJ | SW-BW | NPT/F | | | | | | | | | |
| 3/4" x 1/2" | 20 x 15 | 152 | 165 | 191 | 2.5 | 12.7 | 40 | 95 | 172.5 | 5.5 | 6 | 3.5 | 3.5 | |
| 1" x 3/4" | 25 x 20 | 165 | 178 | 216 | 5.5 | 19 | 48 | 102 | 218 | 7 | 7.5 | 6.5 | 6.5 | |
| 1.1/4" x 1" | 32 x 25 | 178 | 191 | 229 | 8.5 | 25.4 | 61 | 115 | 218 | 11 | 12 | 9.5 | 9.5 | |
| 1.1/2" x 1" | 40 x 25 | 191 | 203 | 241 | 8.5 | 25.4 | 61 | 115 | 218 | 13 | 14 | 9.5 | 9.5 | |
| 2" x 1.1/2" | 50 x 40 | 216 | 232 | 292 | 12 | 38 | 72 | 130 | 420 | 21 | 22 | 13.5 | 13.5 | |
| 3" x 2" | 80 x 50 | 283 | 298 | 356 | - | 51 | 88 | 146 | 420 | 32 | 34 | 24 | - | |
| 4" x 3" | 100 x 80 | 305 | 320.5 | 432 | - | 76 | 120 | 177 | 420 | 75 | 82 | 55 | - | |
| 6" x 4" | 150 x 100 | 403 | 419 | 559 | - | 101.6 | 160 | 350 | 400 | 120 | 124 | 112 | - | |

| MANUAL GEAR OPERATION OR AUTOMATION | | | | | | | |
|-------------------------------------|-----|------|-----|-----|-----|-----|----------|
| DIMENSIONS [mm] | | | | | | | ISO 5211 |
| V | L | D | G | N | T | | |
| 12 | 7.5 | 5 | 6.5 | 42 | M5 | F04 | |
| 15 | 9 | 7.5 | 8.5 | 50 | M6 | F05 | |
| 15 | 9 | 9 | 10 | 50 | M6 | F05 | |
| 15 | 9 | 9 | 10 | 50 | M6 | F05 | |
| 22 | 16 | 16 | 19 | 70 | M8 | F07 | |
| 22 | 16 | 16 | 19 | 70 | M8 | F07 | |
| 24 | 18 | 22.5 | 24 | 70 | M8 | F07 | |
| 40 | 30 | 30 | 32 | 102 | M10 | F10 | |

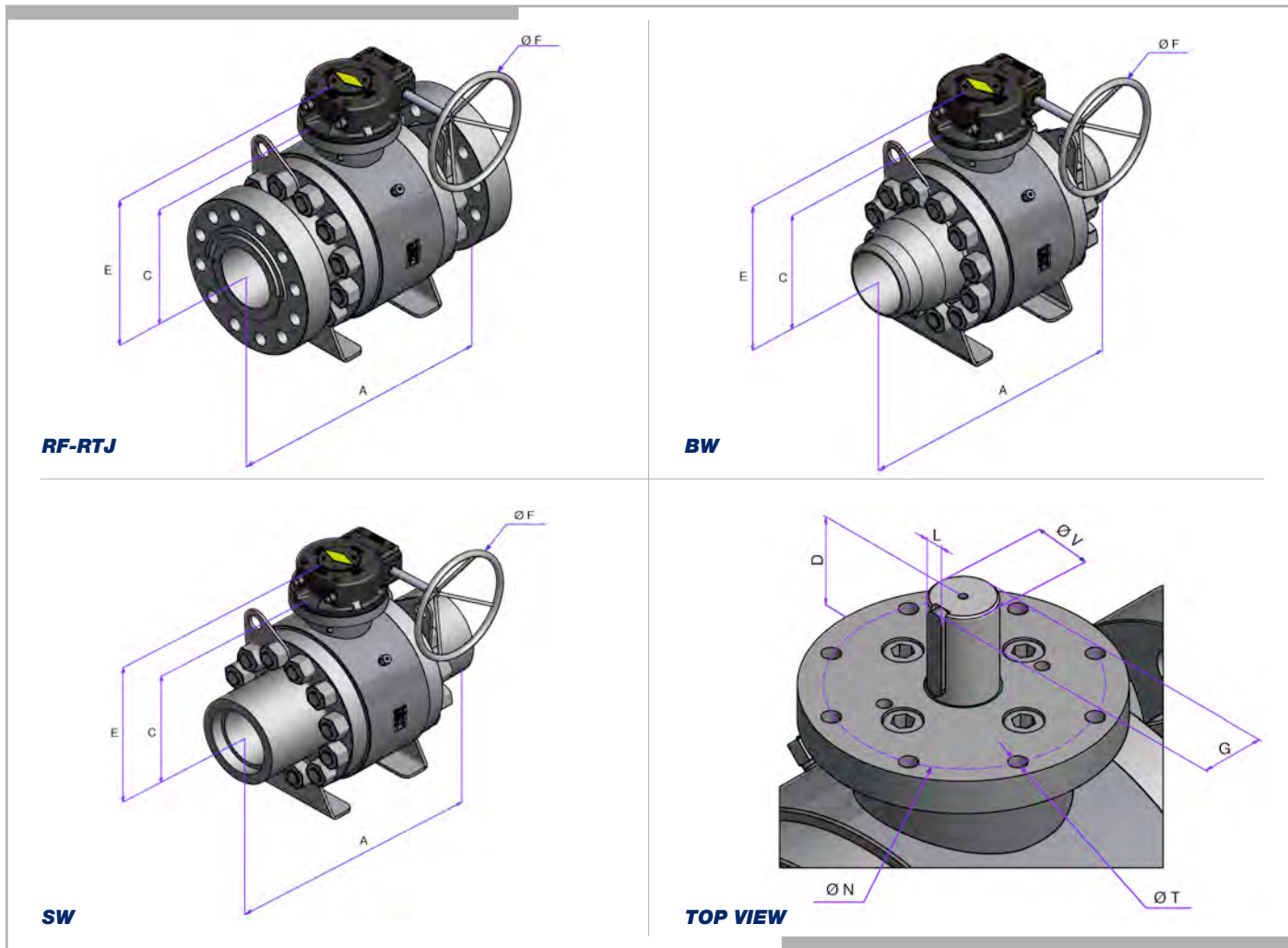
Gear Operated

Dimensions and weights are subject to change without notice.
 Face to face dimensions not listed in industry standards are subject to change without notice.



| ITEM NO. | Q.TY | PART NAME | MATERIAL (LF2/F316) | MATERIAL (F316/F316) | SPECIAL |
|----------------|-------|------------------------------------|---|---|--------------|
| NP | 1 | Name Plate | Stainless Steel | Stainless Steel | |
| 2a | ***** | Top Cover Screw | ASTM A193 B8 | ASTM A193 B8 | |
| 2b | ***** | Trunnion Screw | ASTM A193 B8 | ASTM A193 B8 | |
| 2c | ***** | Upper Flange Screw | ASTM A193 B8 | ASTM A193 B8 | |
| 3 | 1 | Stem Fire Seal | Graphite | Graphite | |
| 3a | 1 | Top Cover Fire Seal | Graphite | Graphite | |
| 3b | 1 | Trunnion Fire Seal | Graphite | Graphite | |
| 5 | 1 | Upper Stem | ASTM A276/479 F316 | ASTM A276/479 F316 | |
| 6 | 1 | Top Cover | ASTM A350 LF2 | ASTM A276/479 F316 | |
| 6a | 1 | Upper Flange | ASTM A350 LF2 | ASTM A276/479 F316 | |
| 7 | 1 | Thrust Washer | Reinforced PTFE | Reinforced PTFE | |
| 8 - 8a - 8b | ***** | Stem - Trunnion Top Cover "O" Ring | VITON | VITON | |
| 9 | 1 | Ball | ASTM A276/479 F316 | ASTM A276/479 F316 | |
| 10 | 2 | Insert Seat | T-R-S LOW PRESSURE N-D-P-E HIGH PRESSURE | T-R-S LOW PRESSURE N-D-P-E HIGH PRESSURE | METAL SEATED |
| 10a | 2 | Seat Ring | ASTM A276/479 F316 | ASTM A276/479 F316 | |
| 11 | 2 | Adaptor Fire Seal | Graphite | Graphite | |
| 12 | 1 | Body | ASTM A350 LF2 | ASTM A276/479 F316 | |
| 13 | 2 | Adaptor Flange | ASTM A350 LF2 | ASTM A276/479 F316 | |
| 14 | 1 | Stem Key | Carbon Steel | Carbon Steel | |
| 15 | 4 | Top Cover / Upper Flange Pin | INCONEL X -750 | INCONEL X -750 | |
| 16 | ***** | Adaptor Bolts | ASTM A320 L7M | ASTM A193 B8M | |
| 30 - 30a - 30b | 2+2+1 | Stem - Ball - Trunnion Bearing | ASTM A276/479 F316 | ASTM A276/479 F316 | |
| 31 | ***** | Seat Spring | INCONEL X - 750 | INCONEL X - 750 | |
| 32 | 1 | Trunnion | ASTM A276/479 F316 | ASTM A276/479 F316 | |
| 33 | 2 | Seat Fire Seal | Graphite | Graphite | |
| 34 | 2 | Seat "O" Ring | VITON | VITON | |
| 35 | 2 | Adaptor "O" Ring | VITON | VITON | |
| 36 | 1 | Vent valve / bleeder | ASTM A276/479 F316 | ASTM A276/479 F316 | |
| 36a | 2 | Vent "O" Ring | VITON | VITON | |
| 37 | 1 | Drain Plug | ASTM A276/479 F316 | ASTM A276/479 F316 | |
| 37a | 1 | Drain "O" Ring | VITON | VITON | |
| 38 | 2 | Lifting Lug | ASTM A350 LF2 | ASTM A276/479 F316 | |
| 39 | 2 | Foot | ASTM A350 LF2 | ASTM A276/479 F316 | |

Recommended spare parts



| FULL BORE | | | | | | | | | | | | |
|------------|-----------|-------------------|-----|-----|-----|------|-----|-----|-----|---------------|-----|-------|
| VALVE SIZE | | DIMENSIONS [mm] | | | | | | | | WEIGHT [Kg] | | |
| INCH | mm | A | | | | BORE | C | E | F | RF | RTJ | SW-BW |
| | | RF | RTJ | SW | BW | | | | | | | |
| 6" x 6" | 150 x 150 | 403 | 419 | 559 | 559 | 152 | 249 | 102 | 500 | 300 | 320 | 280 |
| 8" x 8" | 200 x 200 | 503 | 517 | 520 | 520 | 201 | 291 | 385 | 600 | 282 | 300 | 270 |
| 10" x 10" | 250 x 250 | 568 | 584 | 559 | 559 | 252 | 335 | 461 | 800 | 600 | 610 | 590 |

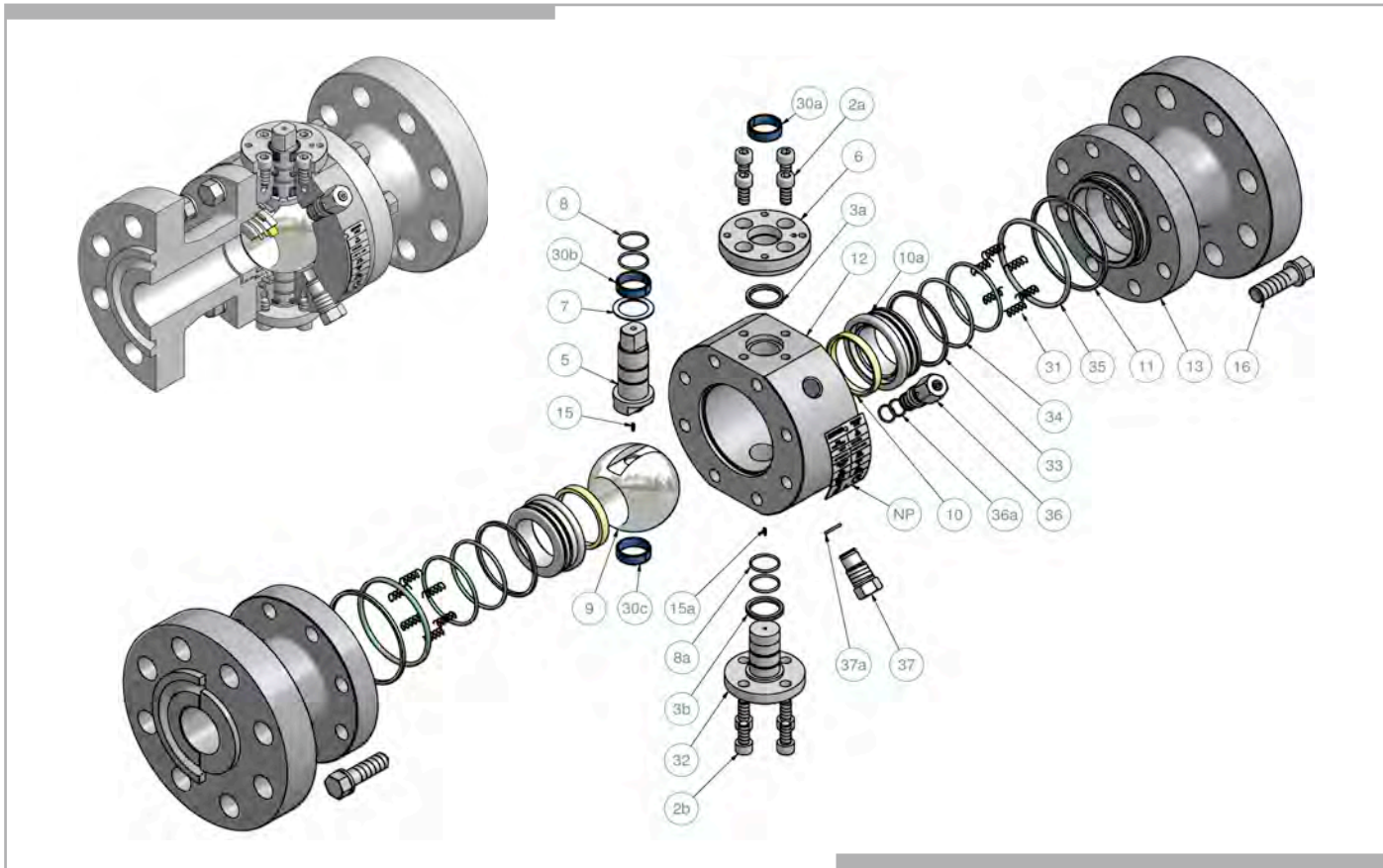
| MANUAL GEAR OPERATION OR AUTOMATION | | | | | | | |
|-------------------------------------|----|------|------|-----|----|-----|----------|
| DIMENSIONS [mm] | | | | | | | ISO 5211 |
| V | L | D | G | N | T | | |
| 48 | 14 | 68 | 51.5 | 140 | 18 | F14 | |
| 48 | 14 | 69.5 | 51.5 | 140 | 18 | F14 | |
| 58 | 16 | 82 | 62 | 165 | 21 | F16 | |

| REDUCED BORE | | | | | | | | | | | | |
|--------------|-----------|-------------------|-----|-------|-------|------|-----|-----|-----|---------------|-----|-------|
| VALVE SIZE | | DIMENSIONS [mm] | | | | | | | | WEIGHT [Kg] | | |
| INCH | mm | A | | | | BORE | C | E | F | RF | RTJ | SW-BW |
| | | RF | RTJ | SW | BW | | | | | | | |
| 8" x 6" | 200 x 150 | 502 | 518 | 660.5 | 660.5 | 152 | 249 | 102 | 500 | 320 | 340 | 300 |
| 10" x 8" | 250 x 200 | 568 | 584 | 520 | 520 | 201 | 291 | 385 | 600 | 300 | 320 | 290 |
| 12" x 10" | 300 x 250 | 684 | 664 | 635 | 635 | 252 | 335 | 461 | 800 | 630 | 340 | 530 |

| MANUAL GEAR OPERATION OR AUTOMATION | | | | | | | |
|-------------------------------------|----|------|------|-----|----|-----|----------|
| DIMENSIONS [mm] | | | | | | | ISO 5211 |
| V | L | D | G | N | T | | |
| 48 | 14 | 68 | 51.5 | 140 | 18 | F14 | |
| 48 | 14 | 69.5 | 51.5 | 140 | 18 | F14 | |
| 58 | 16 | 82 | 62 | 165 | 21 | F16 | |

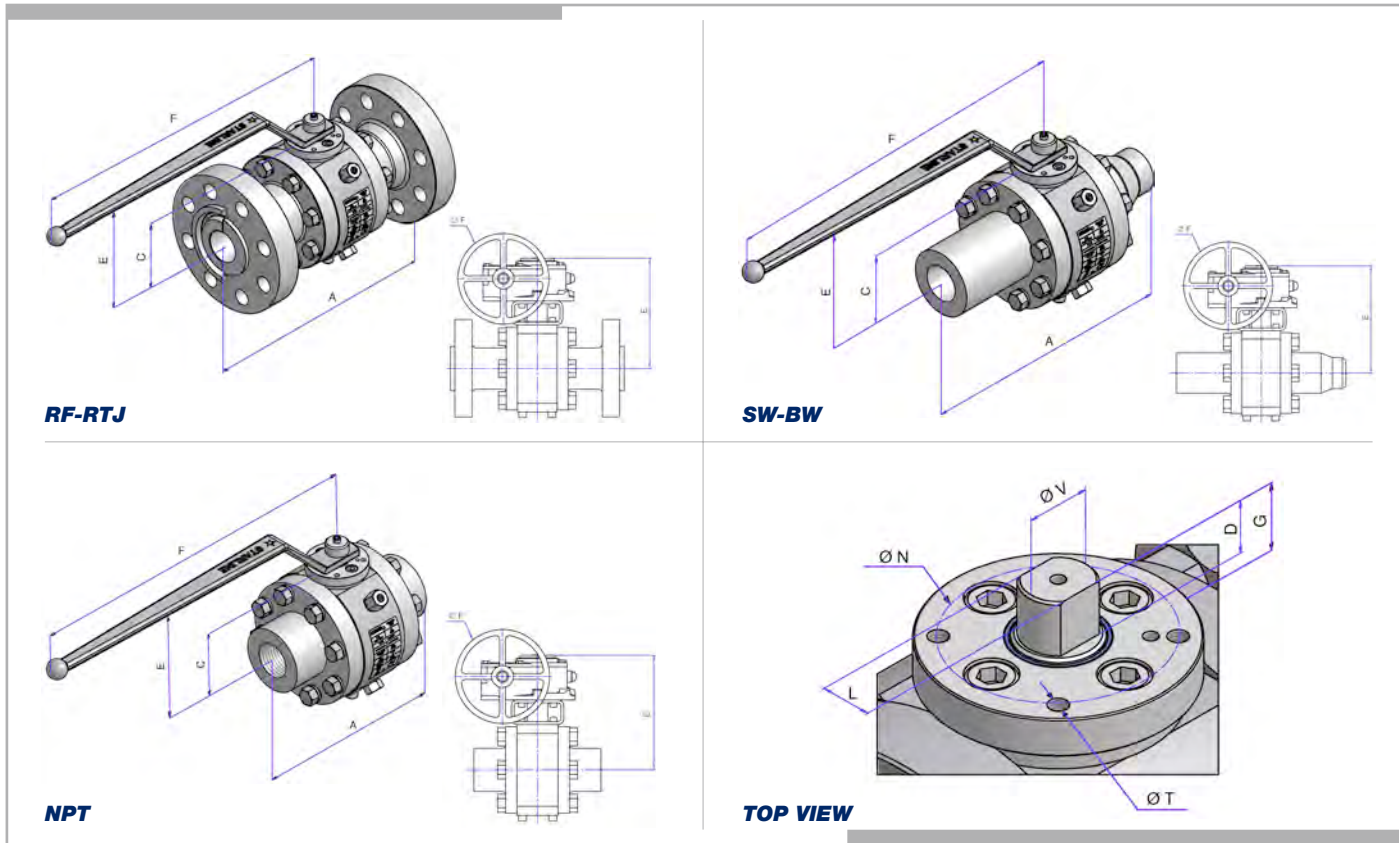
 Gear Operated

Dimensions and weights are subject to change without notice.
 Face to face dimensions not listed in industry standards are subject to change without notice.



| ITEM NO. | Q.TY | PART NAME | MATERIAL (LF2/F316) | MATERIAL (F316/F316) | SPECIAL |
|-----------------|-------|----------------------|---|---|--------------|
| NP | 1 | Name Plate | Stainless Steel | Stainless Steel | |
| 2a | ***** | Top Cover Screw | ASTM A193 B8 | ASTM A193 B8 | |
| 2b | ***** | Trunnion Screw | ASTM A193 B8 | ASTM A193 B8 | |
| 3a | 1 | Stem Fire Seal | Graphite | Graphite | |
| 3b | 1 | Trunnion Fire Seal | Graphite | Graphite | |
| 5 | 1 | Upper Stem | ASTM A276/479 F316 | ASTM A276/479 F316 | |
| 6 | 1 | Top Cover | ASTM A350 LF2 | ASTM A276/479 F316 | |
| 7 | 1 | Thrust Washer | Reinforced PTFE | Reinforced PTFE | |
| 8 | ***** | Stem "O" Ring | VITON | VITON | |
| 8a | ***** | Trunnion "O" Ring | VITON | VITON | |
| 9 | 1 | Ball | ASTM A276/479 F316 | ASTM A276/479 F316 | |
| 10 | 2 | Insert Seat | ASTM A276/479 F316 T-R-S LOW PRESSURE N-D-P-E HIGH PRESSURE | ASTM A276/479 F316 T-R-S LOW PRESSURE N-D-P-E HIGH PRESSURE | METAL SEATED |
| 10a | 2 | Seat Ring | ASTM A276/479 F316 | ASTM A276/479 F316 | |
| 11 | 2 | Adaptor Fire Seal | Graphite | Graphite | |
| 12 | 1 | Body | ASTM A350 LF2 | ASTM A276/479 F316 | |
| 13 | 2 | Adaptor Flange | ASTM A350 LF2 | ASTM A276/479 F316 | |
| 15 - 15a | 2 | Antistatic Spring | INCONEL X -750 | INCONEL X -750 | |
| 16 | ***** | Adaptor Bolts | ASTM A320 L7M | ASTM A193 B8M | |
| 30a - 30b - 30c | 1+1+1 | Bearing | ASTM A276/479 F316 | ASTM A276/479 F316 | |
| 31 | ***** | Seat Spring | INCONEL X - 750 | INCONEL X - 750 | |
| 32 | 1 | Trunnion | ASTM A276/479 F316 | ASTM A276/479 F316 | |
| 33 | 2 | Seat Fire Seal | Graphite | Graphite | |
| 34 | ***** | Seat "O" Ring | VITON | VITON | |
| 35 | 2 | Adaptor "O" Ring | VITON | VITON | |
| 36 | 1 | Vent valve / bleeder | ASTM A276/479 F316 | ASTM A276/479 F316 | |
| 36a | 2 | Vent "O" Ring | VITON | VITON | |
| 37 | 1 | Drain Plug | ASTM A276/479 F316 | ASTM A276/479 F316 | |
| 37a | 1 | Drain "O" Ring | VITON | VITON | |

Recommended spare parts



| FULL BORE | | | | | | | | | | | | | | |
|-----------------|-----------|-------------------|-------|-------|-------|-------|-----|-----|-------|---------------|-----|-------|-------|--|
| VALVE SIZE | | DIMENSIONS [mm] | | | | | | | | WEIGHT [Kg] | | | | |
| INCH | mm | A | | | | BORE | C | E | F | RF | RTJ | SW-BW | NPT/F | |
| | | RF | RTJ | SW-BW | NPT/F | | | | | | | | | |
| 1/2" x 1/2" | 15 x 15 | 165 | 163.5 | 165 | 2.5 | 12.7 | 40 | 95 | 172.5 | 4.5 | 4.5 | 3 | 3 | |
| 3/4" x 3/4" | 20 x 20 | 191 | 191 | 191 | 5.5 | 19 | 48 | 102 | 218 | 7 | 7 | 6 | 6 | |
| 1" x 1" | 25 x 25 | 216 | 216 | 216 | 8.5 | 25.4 | 61 | 115 | 218 | 10 | 10 | 9 | 9 | |
| 1.1/2" x 1.1/2" | 40 x 40 | 241 | 241 | 12 | 12 | 38 | 72 | 130 | 420 | 16 | 16 | 12.5 | 12.5 | |
| 2" x 2" | 50 x 50 | 292 | 26.8 | 292 | 21 | 51 | 88 | 146 | 420 | 26 | 27 | 22 | 22 | |
| 3" x 3" | 80 x 80 | 356 | 359 | 356 | - | 76 | 120 | 177 | 420 | 53 | 54 | 48 | - | |
| 4" x 4" | 100 x 100 | 432 | 435 | 432 | - | 101.6 | 160 | 350 | 400 | 120 | 122 | 110 | - | |

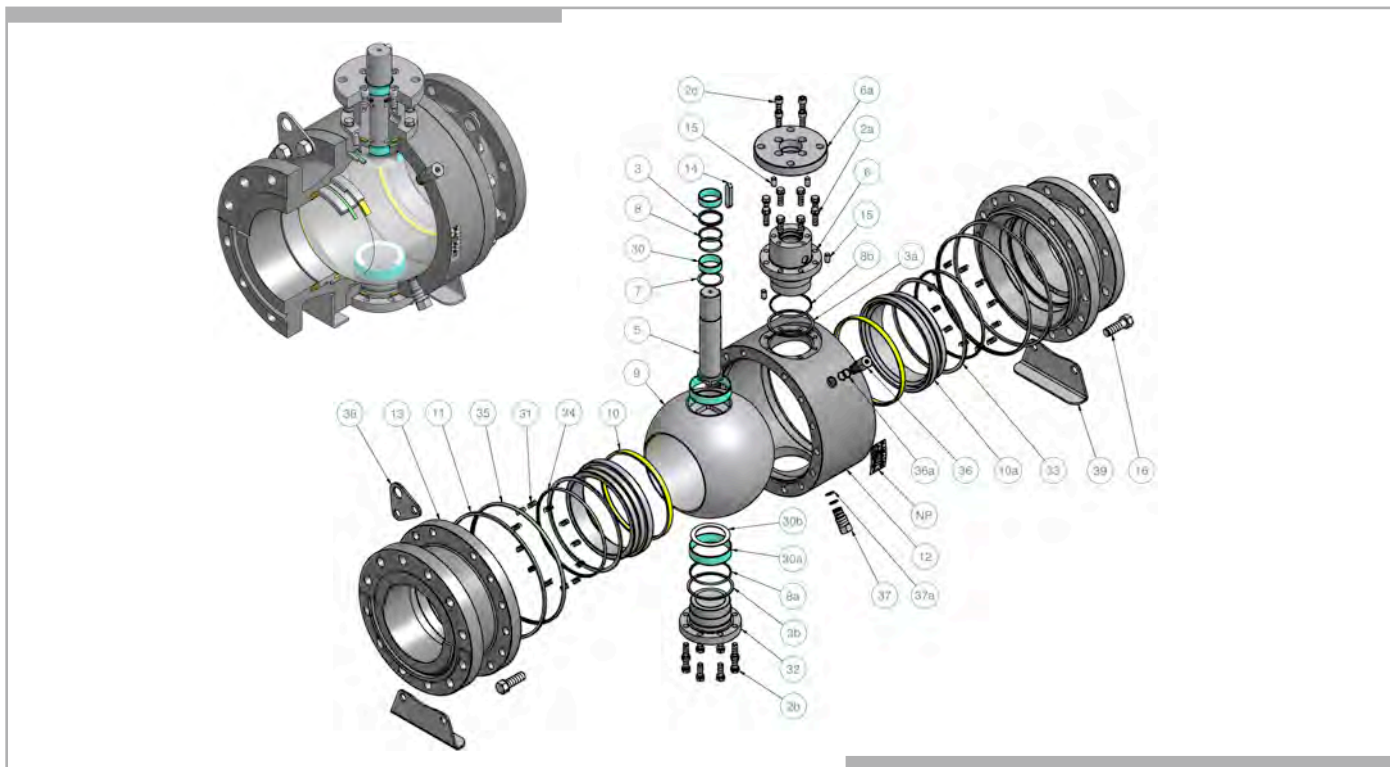
| MANUAL GEAR OPERATION OR AUTOMATION | | | | | | | |
|-------------------------------------|-----|------|-----|-----|-----|-----|----------|
| DIMENSIONS [mm] | | | | | | | ISO 5211 |
| V | L | D | G | N | T | | |
| 12 | 7.5 | 5 | 6.5 | 42 | M5 | F04 | |
| 15 | 9 | 7.5 | 8.5 | 50 | M6 | F05 | |
| 15 | 9 | 9 | 10 | 50 | M6 | F05 | |
| 22 | 16 | 16 | 19 | 70 | M8 | F07 | |
| 22 | 16 | 16 | 19 | 70 | M8 | F07 | |
| 24 | 18 | 22.5 | 24 | 70 | M8 | F07 | |
| 40 | 30 | 30 | 32 | 102 | M10 | F10 | |

| REDUCED BORE | | | | | | | | | | | | | | |
|--------------|-----------|-------------------|------|-------|-------|-------|-----|-----|-------|---------------|-----|-------|-------|--|
| VALVE SIZE | | DIMENSIONS [mm] | | | | | | | | WEIGHT [Kg] | | | | |
| INCH | mm | A | | | | BORE | C | E | F | RF | RTJ | SW-BW | NPT/F | |
| | | RF | RTJ | SW-BW | NPT/F | | | | | | | | | |
| 3/4" x 1/2" | 20 x 15 | 191 | 191 | 191 | 2.5 | 12.7 | 40 | 95 | 172.5 | 5.5 | 5.5 | 3.5 | 3.5 | |
| 1" x 3/4" | 25 x 20 | 216 | 216 | 216 | 5.5 | 19 | 48 | 102 | 218 | 8 | 8 | 6.5 | 6.5 | |
| 1.1/4" x 1" | 32 x 25 | 229 | 229 | 229 | 8.5 | 25.4 | 61 | 115 | 218 | 12 | 12 | 9.5 | 9.5 | |
| 1.1/2" x 1" | 40 x 25 | 241 | 241 | 241 | 8.5 | 25.4 | 61 | 115 | 218 | 15 | 15 | 9.5 | 9.5 | |
| 2" x 1.1/2" | 50 x 40 | 292 | 28.5 | 292 | 12 | 38 | 72 | 130 | 420 | 25 | 26 | 13.5 | 13.5 | |
| 3" x 2" | 80 x 50 | 356 | 359 | 356 | - | 51 | 88 | 146 | 420 | 35 | 36 | 24 | - | |
| 4" x 3" | 100 x 80 | 436 | 435 | 432 | - | 76 | 120 | 177 | 420 | 65 | 67 | 55 | - | |
| 6" x 4" | 150 x 100 | 559 | 562 | 559 | - | 101.6 | 160 | 350 | 400 | 160 | 165 | 112 | - | |

| MANUAL GEAR OPERATION OR AUTOMATION | | | | | | | |
|-------------------------------------|-----|------|-----|-----|-----|-----|----------|
| DIMENSIONS [mm] | | | | | | | ISO 5211 |
| V | L | D | G | N | T | | |
| 12 | 7.5 | 5 | 6.5 | 42 | M5 | F04 | |
| 15 | 9 | 7.5 | 8.5 | 50 | M6 | F05 | |
| 15 | 9 | 9 | 10 | 50 | M6 | F05 | |
| 15 | 9 | 9 | 10 | 50 | M6 | F05 | |
| 22 | 16 | 16 | 19 | 70 | M8 | F07 | |
| 22 | 16 | 16 | 19 | 70 | M8 | F07 | |
| 24 | 18 | 22.5 | 24 | 70 | M8 | F07 | |
| 40 | 30 | 30 | 32 | 102 | M10 | F10 | |

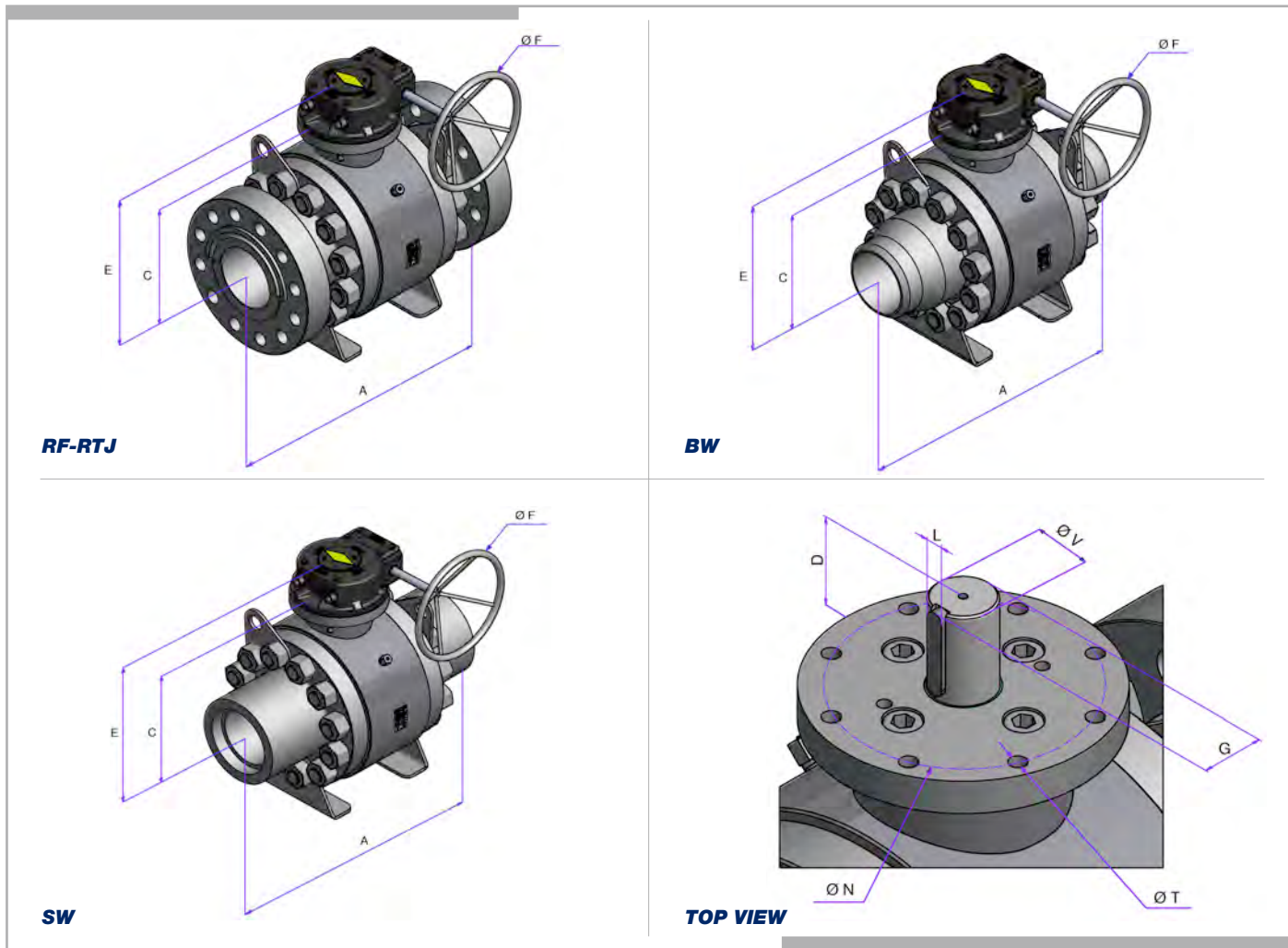
Gear Operated

Dimensions and weights are subject to change without notice.
 Face to face dimensions not listed in industry standards are subject to change without notice.



| ITEM NO. | Q.TY | PART NAME | MATERIAL (LF2/F316) | MATERIAL (F316/F316) | SPECIAL |
|----------------|-------|---------------------------------------|---|---|--------------|
| NP | 1 | Name Plate | Stainless Steel | Stainless Steel | |
| 2a | ***** | Top Cover Screw | ASTM A193 B8 | ASTM A193 B8 | |
| 2b | ***** | Trunnion Screw | ASTM A193 B8 | ASTM A193 B8 | |
| 2c | ***** | Upper Flange Screw | ASTM A193 B8 | ASTM A193 B8 | |
| 3 | 1 | Stem Fire Seal | Graphite | Graphite | |
| 3a | 1 | Top Cover Fire Seal | Graphite | Graphite | |
| 3b | 1 | Trunnion Fire Seal | Graphite | Graphite | |
| 5 | 1 | Upper Stem | ASTM A276/479 F316 | ASTM A276/479 F316 | |
| 6 | 1 | Top Cover | ASTM A350 LF2 | ASTM A276/479 F316 | |
| 6a | 1 | Upper Flange | ASTM A350 LF2 | ASTM A276/479 F316 | |
| 7 | 1 | Thrust Washer | Reinforced PTFE | Reinforced PTFE | |
| 8 - 8a - 8b | ***** | Stem - Trunnion Top Cover "O" Ring | VITON | VITON | |
| 9 | 1 | Ball | ASTM A276/479 F316 | ASTM A276/479 F316 | |
| 10 | 2 | Insert Seat | T-R-S LOW PRESSURE N-D-P-E HIGH PRESSURE | T-R-S LOW PRESSURE N-D-P-E HIGH PRESSURE | METAL SEATED |
| 10a | 2 | Seat Ring | ASTM A276/479 F316 | ASTM A276/479 F316 | |
| 11 | 2 | Adaptor Fire Seal | Graphite | Graphite | |
| 12 | 1 | Body | ASTM A350 LF2 | ASTM A276/479 F316 | |
| 13 | 2 | Adaptor Flange | ASTM A350 LF2 | ASTM A276/479 F316 | |
| 14 | 1 | Stem Key | Carbon Steel | Carbon Steel | |
| 15 | 4 | Top Cover / Upper Flange Pin | INCONEL X -750 | INCONEL X -750 | |
| 16 | ***** | Adaptor Bolts | ASTM A320 L7M | ASTM A193 B8M | |
| 30 - 30a - 30b | 2+2+1 | Stem - Ball - Trunnion Bearing | ASTM A276/479 F316 | ASTM A276/479 F316 | |
| 31 | ***** | Seat Spring | INCONEL X - 750 | INCONEL X - 750 | |
| 32 | 1 | Trunnion | ASTM A276/479 F316 | ASTM A276/479 F316 | |
| 33 | 2 | Seat Fire Seal | Graphite | Graphite | |
| 34 | 2 | Seat "O" Ring | VITON | VITON | |
| 35 | 2 | Adaptor "O" Ring | VITON | VITON | |
| 36 | 1 | Vent valve / bleeder | ASTM A276/479 F316 | ASTM A276/479 F316 | |
| 36a | 2 | Vent "O" Ring | VITON | VITON | |
| 37 | 1 | Drain Plug | ASTM A276/479 F316 | ASTM A276/479 F316 | |
| 37a | 1 | Drain "O" Ring | VITON | VITON | |
| 38 | 2 | Lifting Lug | ASTM A350 LF2 | ASTM A276/479 F316 | |
| 39 | 2 | Foot | ASTM A350 LF2 | ASTM A276/479 F316 | |

Recommended spare parts



| FULL BORE | | | | | | | | | | | | |
|------------|-----------|-------------------|-----|-----|-----|------|-------|-----|-----|---------------|-----|-------|
| VALVE SIZE | | DIMENSIONS [mm] | | | | | | | | WEIGHT [Kg] | | |
| INCH | mm | A | | | | BORE | C | E | F | RF | RTJ | SW-BW |
| | | RF | RTJ | SW | BW | | | | | | | |
| 6" x 6" | 150 x 150 | 559 | 562 | 559 | 559 | 152 | 249 | 340 | 500 | 255 | 263 | 230 |
| 8" x 8" | 200 x 200 | 660.5 | 664 | 660 | 660 | 200 | 293.5 | 417 | 800 | 462 | 475 | 455 |
| 10" x 10" | 250 x 250 | 788 | 791 | 787 | 787 | 252 | 332 | 528 | 800 | 715 | 725 | 690 |

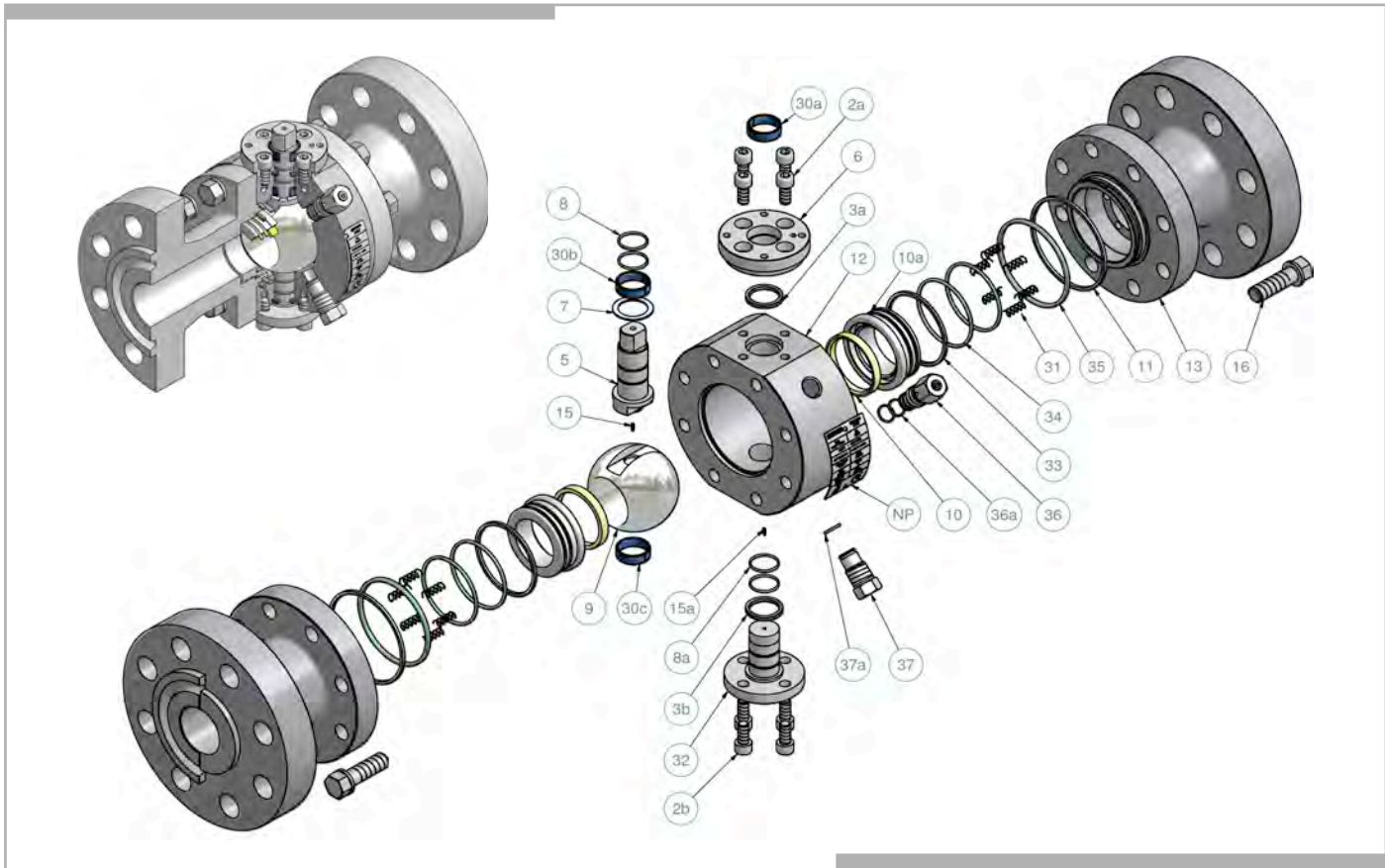
| MANUAL GEAR OPERATION OR AUTOMATION | | | | | | |
|-------------------------------------|----|------|------|-----|----|----------|
| DIMENSIONS [mm] | | | | | | ISO 5211 |
| V | L | D | G | N | T | |
| 48 | 14 | 68 | 51.5 | 140 | 18 | F14 |
| 48 | 14 | 81.5 | 51.5 | 254 | 18 | F25 |
| 58 | 16 | 85 | 62 | 254 | 18 | F25 |

| REDUCED BORE | | | | | | | | | | | | |
|--------------|-----------|-------------------|-----|-------|-------|------|-------|-----|-----|---------------|-----|-------|
| VALVE SIZE | | DIMENSIONS [mm] | | | | | | | | WEIGHT [Kg] | | |
| INCH | mm | A | | | | BORE | C | E | F | RF | RTJ | SW-BW |
| | | RF | RTJ | SW | BW | | | | | | | |
| 8" x 6" | 200 x 150 | 660.5 | 664 | 660.5 | 660.5 | 152 | 249 | 340 | 500 | 287 | 295 | 250 |
| 10" x 8" | 250 x 200 | 788 | 791 | 787 | 787 | 200 | 293.5 | 417 | 800 | 528 | 541 | 475 |
| 12" x 10" | 300 x 250 | 838 | 841 | 838 | 838 | 252 | 332 | 528 | 800 | 750 | 760 | 720 |

| MANUAL GEAR OPERATION OR AUTOMATION | | | | | | |
|-------------------------------------|----|------|------|-----|----|----------|
| DIMENSIONS [mm] | | | | | | ISO 5211 |
| V | L | D | G | N | T | |
| 48 | 14 | 68 | 51.5 | 140 | 18 | F14 |
| 48 | 14 | 81.5 | 51.5 | 254 | 18 | F25 |
| 58 | 16 | 85 | 62 | 254 | 18 | F25 |

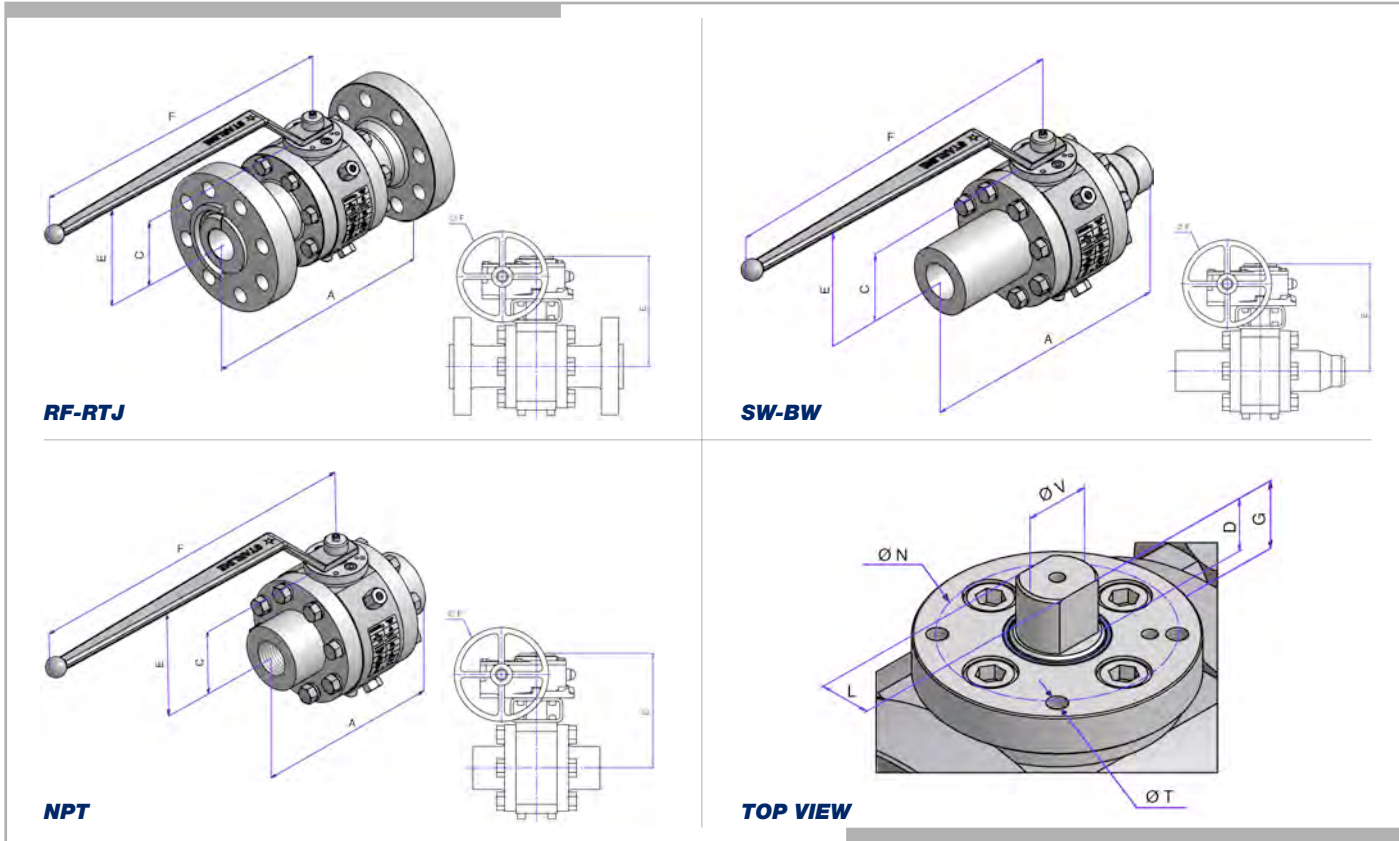
Gear Operated

Dimensions and weights are subject to change without notice.
 Face to face dimensions not listed in industry standards are subject to change without notice.



| ITEM NO. | Q. TY | PART NAME | MATERIAL (LF2/F316) | MATERIAL (F316/F316) | SPECIAL |
|-----------------|-------|----------------------|---|---|--------------|
| NP | 1 | Name Plate | Stainless Steel | Stainless Steel | |
| 2a | ***** | Top Cover Screw | ASTM A193 B8 | ASTM A193 B8 | |
| 2b | ***** | Trunnion Screw | ASTM A193 B8 | ASTM A193 B8 | |
| 3a | 1 | Stem Fire Seal | Graphite | Graphite | |
| 3b | 1 | Trunnion Fire Seal | Graphite | Graphite | |
| 5 | 1 | Upper Stem | ASTM A276/479 F316 | ASTM A276/479 F316 | |
| 6 | 1 | Top Cover | ASTM A350 LF2 | ASTM A276/479 F316 | |
| 7 | 1 | Thrust Washer | Reinforced PTFE | Reinforced PTFE | |
| 8 | ***** | Stem "O" Ring | VITON | VITON | |
| 8a | ***** | Trunnion "O" Ring | VITON | VITON | |
| 9 | 1 | Ball | ASTM A276/479 F316 | ASTM A276/479 F316 | |
| 10 | 2 | Insert Seat | T-R-S LOW PRESSURE N-D-P-E HIGH PRESSURE | T-R-S LOW PRESSURE N-D-P-E HIGH PRESSURE | METAL SEATED |
| 10a | 2 | Seat Ring | ASTM A276/479 F316 | ASTM A276/479 F316 | |
| 11 | 2 | Adaptor Fire Seal | Graphite | Graphite | |
| 12 | 1 | Body | ASTM A350 LF2 | ASTM A276/479 F316 | |
| 13 | 2 | Adaptor Flange | ASTM A350 LF2 | ASTM A276/479 F316 | |
| 15 - 15a | 2 | Antistatic Spring | INCONEL X - 750 | INCONEL X - 750 | |
| 16 | ***** | Adaptor Bolts | ASTM A320 L7M | ASTM A193 B8M | |
| 30a - 30b - 30c | 1+1+1 | Bearing | ASTM A276/479 F316 | ASTM A276/479 F316 | |
| 31 | ***** | Seat Spring | INCONEL X - 750 | INCONEL X - 750 | |
| 32 | 1 | Trunnion | ASTM A276/479 F316 | ASTM A276/479 F316 | |
| 33 | 2 | Seat Fire Seal | Graphite | Graphite | |
| 34 | ***** | Seat "O" Ring | VITON | VITON | |
| 35 | 2 | Adaptor "O" Ring | VITON | VITON | |
| 36 | 1 | Vent valve / bleeder | ASTM A276/479 F316 | ASTM A276/479 F316 | |
| 36a | 2 | Vent "O" Ring | VITON | VITON | |
| 37 | 1 | Drain Plug | ASTM A276/479 F316 | ASTM A276/479 F316 | |
| 37a | 1 | Drain "O" Ring | VITON | VITON | |

Recommended spare parts



| FULL BORE | | | | | | | | | | | | | |
|-----------------|-----------|-------------------|-----|-------|-------|-------|-----|-----|-------|---------------|-----|-------|-------|
| VALVE SIZE | | DIMENSIONS [mm] | | | | | | | | WEIGHT [Kg] | | | |
| INCH | mm | A | | | | BORE | C | E | F | RF | RTJ | SW-BW | NPT/F |
| | | RF | RTJ | SW-BW | NPT/F | | | | | | | | |
| 1/2" x 1/2" | 15 x 15 | 216 | 216 | 216 | 3 | 12.7 | 40 | 95 | 172.5 | 5 | 5 | 3.5 | 3.5 |
| 3/4" x 3/4" | 20 x 20 | 229 | 229 | 229 | 8.5 | 19 | 48 | 102 | 218 | 11 | 11 | 9.5 | 9.5 |
| 1" x 1" | 25 x 25 | 254 | 254 | 254 | 14 | 25.4 | 61 | 115 | 218 | 18 | 18 | 15 | 15 |
| 1.1/2" x 1.1/2" | 40 x 40 | 305 | 305 | 305 | 27 | 38 | 90 | 147 | 420 | 34 | 34 | 30 | 30 |
| 2" x 2" | 50 x 50 | 368 | 371 | 368 | 40 | 51 | 100 | 158 | 420 | 50 | 50 | 45 | 45 |
| 3" x 3" | 80 x 80 | 381 | 384 | 381 | - | 76 | 148 | 335 | 400 | 85 | 86 | 50 | - |
| 4" x 4" | 100 x 100 | 457 | 460 | 457 | - | 101.6 | 188 | 380 | 400 | 170 | 175 | 150 | - |

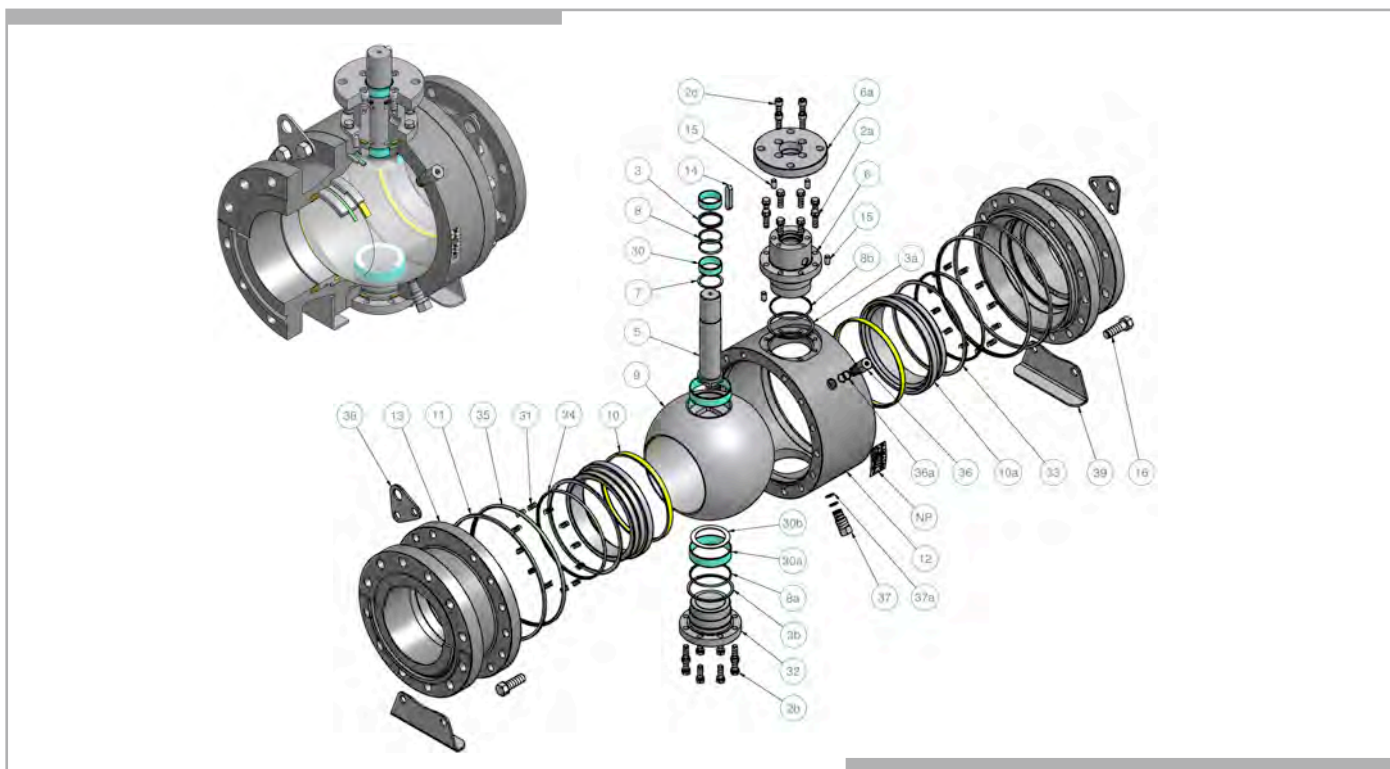
| MANUAL GEAR OPERATION OR AUTOMATION | | | | | | | |
|-------------------------------------|-----|------|-----|-----|-----|-----|----------|
| DIMENSIONS [mm] | | | | | | | ISO 5211 |
| V | L | D | G | N | T | | |
| 12 | 7.5 | 5 | 6.5 | 42 | M5 | F04 | |
| 15 | 9 | 7.5 | 8.5 | 50 | M6 | F05 | |
| 15 | 9 | 9 | 10 | 50 | M6 | F05 | |
| 22 | 16 | 14.5 | 16 | 70 | M8 | F07 | |
| 24 | 18 | 19 | 22 | 70 | M8 | F07 | |
| 40 | 30 | 30 | 32 | 102 | M10 | F10 | |
| 55 | 36 | 40 | 42 | 125 | M12 | F12 | |

| REDUCED BORE | | | | | | | | | | | | | |
|--------------|-----------|-------------------|-------|-------|-------|-------|-----|-----|-------|---------------|-----|-------|-------|
| VALVE SIZE | | DIMENSIONS [mm] | | | | | | | | WEIGHT [Kg] | | | |
| INCH | mm | A | | | | BORE | C | E | F | RF | RTJ | SW-BW | NPT/F |
| | | RF | RTJ | SW-BW | NPT/F | | | | | | | | |
| 3/4" x 1/2" | 20 x 15 | 229 | 229 | 229 | 3.5 | 12.7 | 40 | 95 | 172.5 | 6.5 | 6.5 | 4 | 4 |
| 1" x 3/4" | 25 x 20 | 254 | 254 | 254 | 10 | 19 | 48 | 102 | 218 | 13 | 13 | 11 | 11 |
| 1.1/4" x 1" | 32 x 25 | 280 | 280 | 280 | 14 | 25.4 | 61 | 115 | 218 | 22 | 22 | 16 | 16 |
| 1.1/2" x 1" | 40 x 25 | 305 | 305 | 305 | 14 | 25.4 | 61 | 115 | 218 | 25 | 25 | 17 | 17 |
| 2" x 1.1/2" | 50 x 40 | 368 | 371 | 28 | 27 | 38 | 90 | 147 | 420 | 40 | 41 | 33 | 33 |
| 3" x 2" | 80 x 50 | 381 | 384 | 384 | - | 51 | 100 | 158 | 420 | 55 | 56 | 50 | - |
| 4" x 3" | 100 x 80 | 457 | 460 | 457 | - | 76 | 148 | 335 | 400 | 110 | 115 | 60 | - |
| 6" x 4" | 150 x 100 | 609.5 | 612.5 | 609.5 | - | 101.6 | 188 | 380 | 400 | 205 | 210 | 145 | - |

| MANUAL GEAR OPERATION OR AUTOMATION | | | | | | | |
|-------------------------------------|-----|------|-----|-----|-----|-----|----------|
| DIMENSIONS [mm] | | | | | | | ISO 5211 |
| V | L | D | G | N | T | | |
| 12 | 7.5 | 5 | 6.5 | 42 | M5 | F04 | |
| 15 | 9 | 7.5 | 8.5 | 50 | M6 | F05 | |
| 15 | 9 | 9 | 10 | 50 | M6 | F05 | |
| 15 | 9 | 9 | 10 | 50 | M6 | F05 | |
| 22 | 16 | 14.5 | 16 | 70 | M8 | F07 | |
| 24 | 18 | 19 | 22 | 70 | M8 | F07 | |
| 40 | 30 | 30 | 32 | 102 | M10 | F10 | |
| 55 | 36 | 40 | 42 | 125 | M12 | F12 | |

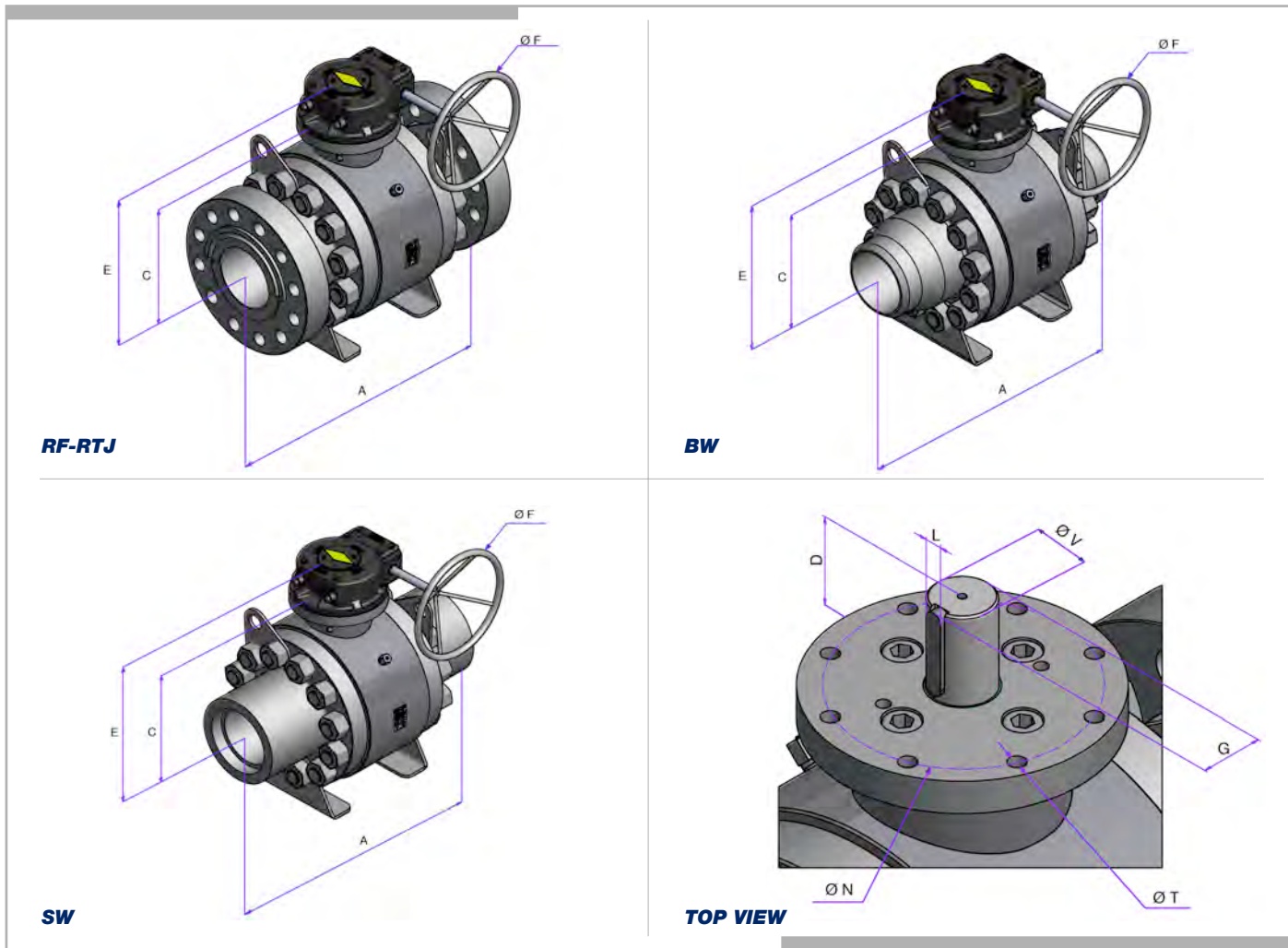
Gear Operated

Dimensions and weights are subject to change without notice.
 Face to face dimensions not listed in industry standards are subject to change without notice.



| ITEM NO. | Q.TY | PART NAME | MATERIAL (LF2/F316) | MATERIAL (F316/F316) | SPECIAL |
|----------------|-------|------------------------------------|---|---|--------------|
| NP | 1 | Name Plate | Stainless Steel | Stainless Steel | |
| 2a | ***** | Top Cover Screw | ASTM A193 B8 | ASTM A193 B8 | |
| 2b | ***** | Trunnion Screw | ASTM A193 B8 | ASTM A193 B8 | |
| 2c | ***** | Upper Flange Screw | ASTM A193 B8 | ASTM A193 B8 | |
| 3 | 1 | Stem Fire Seal | Graphite | Graphite | |
| 3a | 1 | Top Cover Fire Seal | Graphite | Graphite | |
| 3b | 1 | Trunnion Fire Seal | Graphite | Graphite | |
| 5 | 1 | Upper Stem | ASTM A276/479 F316 | ASTM A276/479 F316 | |
| 6 | 1 | Top Cover | ASTM A350 LF2 | ASTM A276/479 F316 | |
| 6a | 1 | Upper Flange | ASTM A350 LF2 | ASTM A276/479 F316 | |
| 7 | 1 | Thrust Washer | Reinforced PTFE | Reinforced PTFE | |
| 8 - 8a - 8b | ***** | Stem - Trunnion Top Cover "O" Ring | VITON | VITON | |
| 9 | 1 | Ball | ASTM A276/479 F316 | ASTM A276/479 F316 | |
| 10 | 2 | Insert Seat | T-R-S LOW PRESSURE N-D-P-E HIGH PRESSURE | T-R-S LOW PRESSURE N-D-P-E HIGH PRESSURE | METAL SEATED |
| 10a | 2 | Seat Ring | ASTM A276/479 F316 | ASTM A276/479 F316 | |
| 11 | 2 | Adaptor Fire Seal | Graphite | Graphite | |
| 12 | 1 | Body | ASTM A350 LF2 | ASTM A276/479 F316 | |
| 13 | 2 | Adaptor Flange | ASTM A350 LF2 | ASTM A276/479 F316 | |
| 14 | 1 | Stem Key | Carbon Steel | Carbon Steel | |
| 15 | 4 | Top Cover / Upper Flange Pin | INCONEL X -750 | INCONEL X -750 | |
| 16 | ***** | Adaptor Bolts | ASTM A320 L7M | ASTM A193 B8M | |
| 30 - 30a - 30b | 2+2+1 | Stem - Ball - Trunnion Bearing | ASTM A276/479 F316 | ASTM A276/479 F316 | |
| 31 | ***** | Seat Spring | INCONEL X - 750 | INCONEL X - 750 | |
| 32 | 1 | Trunnion | ASTM A276/479 F316 | ASTM A276/479 F316 | |
| 33 | 2 | Seat Fire Seal | Graphite | Graphite | |
| 34 | 2 | Seat "O" Ring | VITON | VITON | |
| 35 | 2 | Adaptor "O" Ring | VITON | VITON | |
| 36 | 1 | Vent valve / bleeder | ASTM A276/479 F316 | ASTM A276/479 F316 | |
| 36a | 2 | Vent "O" Ring | VITON | VITON | |
| 37 | 1 | Drain Plug | ASTM A276/479 F316 | ASTM A276/479 F316 | |
| 37a | 1 | Drain "O" Ring | VITON | VITON | |
| 38 | 2 | Lifting Lug | ASTM A350 LF2 | ASTM A276/479 F316 | |
| 39 | 2 | Foot | ASTM A350 LF2 | ASTM A276/479 F316 | |

Recommended spare parts



| FULL BORE | | | | | | | | | | | | |
|------------|-----------|-------------------|-------|-------|-------|------|-----|-------|-----|---------------|-----|-------|
| VALVE SIZE | | DIMENSIONS [mm] | | | | | | | | WEIGHT [Kg] | | |
| INCH | mm | A | | | | BORE | C | E | F | RF | RTJ | SW-BW |
| | | RF | RTJ | SW | BW | | | | | | | |
| 6" x 6" | 150 x 150 | 609.5 | 612.5 | 609.5 | 609.5 | 150 | 266 | 459.5 | 500 | 343 | 350 | 340 |
| 8" x 8" | 200 x 200 | 737 | 740 | 737 | 737 | 201 | 309 | 433 | 800 | 610 | 620 | 605 |

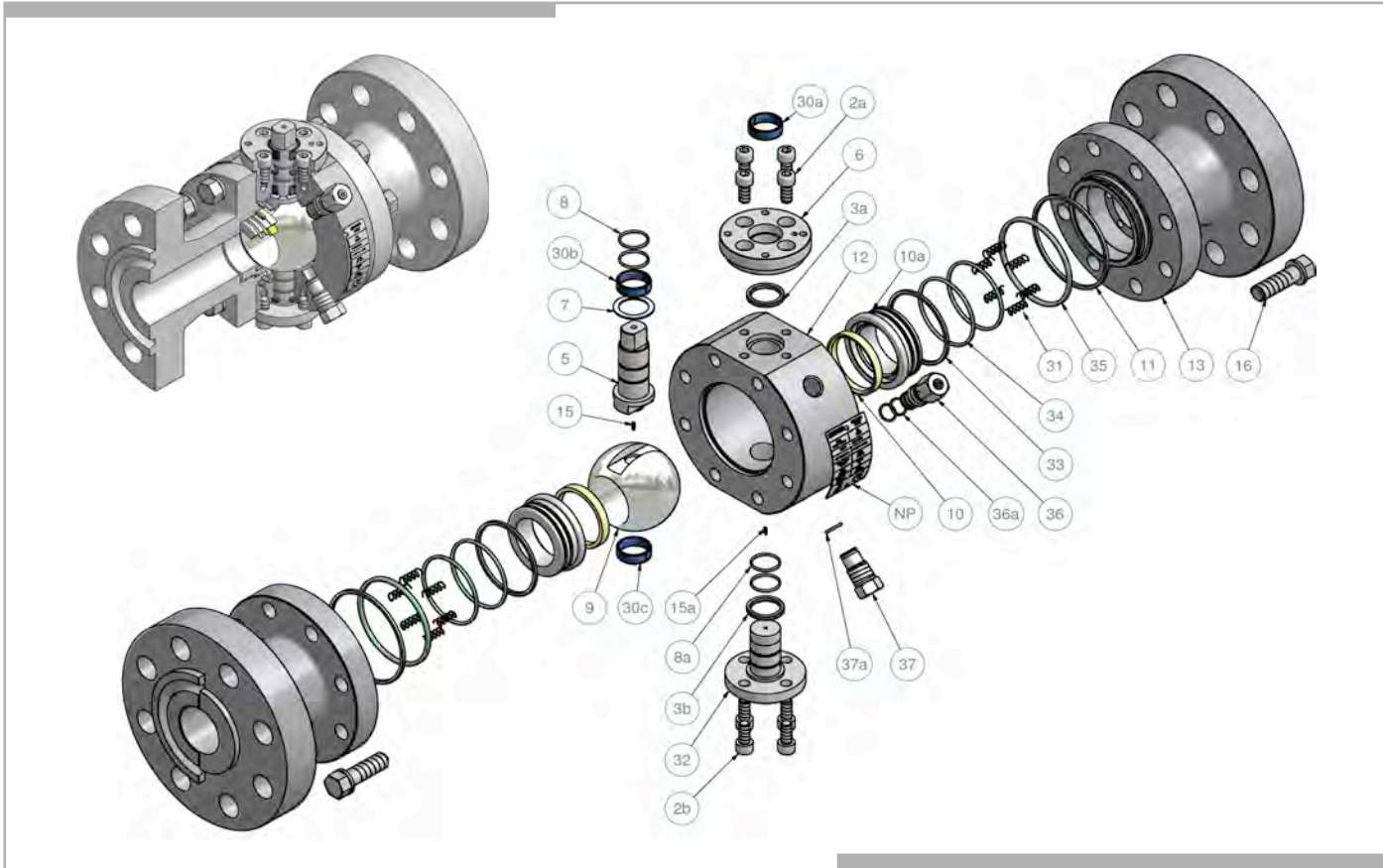
| MANUAL GEAR OPERATION OR AUTOMATION | | | | | | | |
|-------------------------------------|----|------|----|-----|----|-----|----------|
| DIMENSIONS [mm] | | | | | | | ISO 5211 |
| V | L | D | G | N | T | | |
| 48 | 14 | 68 | 53 | 140 | 18 | F14 | |
| 50 | 14 | 83.5 | 53 | 254 | 18 | F25 | |

| REDUCED BORE | | | | | | | | | | | | |
|--------------|-----------|-------------------|-----|-----|-----|------|-----|-------|-----|---------------|-----|-------|
| VALVE SIZE | | DIMENSIONS [mm] | | | | | | | | WEIGHT [Kg] | | |
| INCH | mm | A | | | | BORE | C | E | F | RF | RTJ | SW-BW |
| | | RF | RTJ | SW | BW | | | | | | | |
| 8" x 6" | 200 x 150 | 737 | 740 | 737 | 737 | 150 | 266 | 439.5 | 500 | 425 | 430 | 420 |
| 10" x 8" | 250 x 200 | 838 | 941 | 838 | 838 | 201 | 309 | 433 | 800 | 470 | 460 | 450 |

| MANUAL GEAR OPERATION OR AUTOMATION | | | | | | | |
|-------------------------------------|----|------|----|-----|----|-----|----------|
| DIMENSIONS [mm] | | | | | | | ISO 5211 |
| V | L | D | G | N | T | | |
| 48 | 14 | 68 | 53 | 140 | 18 | F14 | |
| 50 | 14 | 83.5 | 53 | 254 | 18 | F25 | |

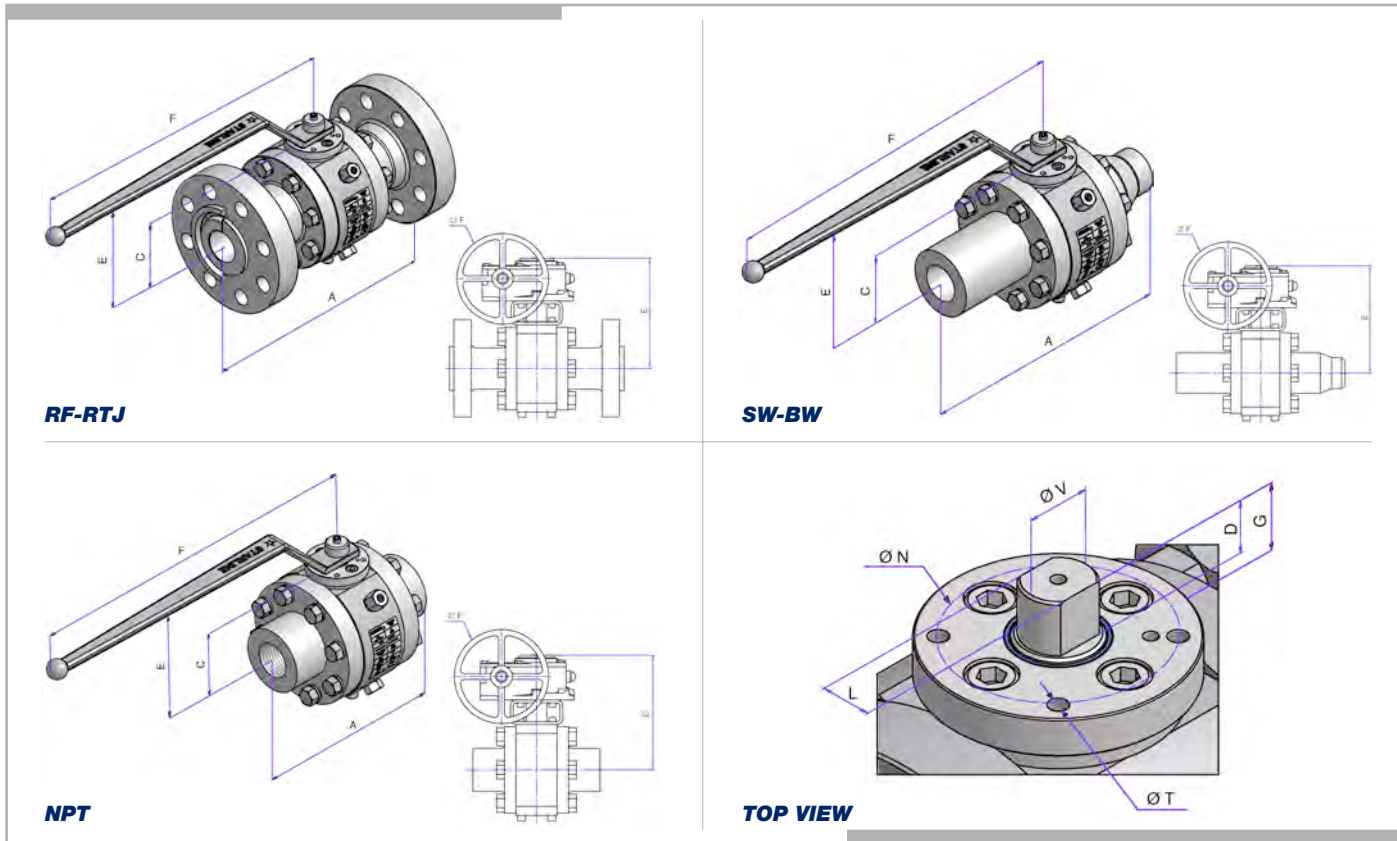
Gear Operated

Dimensions and weights are subject to change without notice.
 Face to face dimensions not listed in industry standards are subject to change without notice.



| ITEM NO. | Q. TY | PART NAME | MATERIAL (LF2/F316) | MATERIAL (F316/F316) | SPECIAL |
|-----------------|-------|----------------------|---|---|--------------|
| NP | 1 | Name Plate | Stainless Steel | Stainless Steel | |
| 2a | ***** | Top Cover Screw | ASTM A193 B8 | ASTM A193 B8 | |
| 2b | ***** | Trunnion Screw | ASTM A193 B8 | ASTM A193 B8 | |
| 3a | 1 | Stem Fire Seal | Graphite | Graphite | |
| 3b | 1 | Trunnion Fire Seal | Graphite | Graphite | |
| 5 | 1 | Upper Stem | ASTM A276/479 F316 | ASTM A276/479 F316 | |
| 6 | 1 | Top Cover | ASTM A350 LF2 | ASTM A276/479 F316 | |
| 7 | 1 | Thrust Washer | Reinforced PTFE | Reinforced PTFE | |
| 8 | ***** | Stem "O" Ring | VITON | VITON | |
| 8a | ***** | Trunnion "O" Ring | VITON | VITON | |
| 9 | 1 | Ball | ASTM A276/479 F316 | ASTM A276/479 F316 | |
| 10 | 2 | Insert Seat | T-R-S LOW PRESSURE N-D-P-E HIGH PRESSURE | T-R-S LOW PRESSURE N-D-P-E HIGH PRESSURE | METAL SEATED |
| 10a | 2 | Seat Ring | ASTM A276/479 F316 | ASTM A276/479 F316 | |
| 11 | 2 | Adaptor Fire Seal | Graphite | Graphite | |
| 12 | 1 | Body | ASTM A350 LF2 | ASTM A276/479 F316 | |
| 13 | 2 | Adaptor Flange | ASTM A350 LF2 | ASTM A276/479 F316 | |
| 15 - 15a | 2 | Antistatic Spring | INCONEL X - 750 | INCONEL X - 750 | |
| 16 | ***** | Adaptor Bolts | ASTM A320 L7M | ASTM A193 B8M | |
| 30a - 30b - 30c | 1+1+1 | Bearing | ASTM A276/479 F316 | ASTM A276/479 F316 | |
| 31 | ***** | Seat Spring | INCONEL X - 750 | INCONEL X - 750 | |
| 32 | 1 | Trunnion | ASTM A276/479 F316 | ASTM A276/479 F316 | |
| 33 | 2 | Seat Fire Seal | Graphite | Graphite | |
| 34 | ***** | Seat "O" Ring | VITON | VITON | |
| 35 | 2 | Adaptor "O" Ring | VITON | VITON | |
| 36 | 1 | Vent valve / bleeder | ASTM A276/479 F316 | ASTM A276/479 F316 | |
| 36a | 2 | Vent "O" Ring | VITON | VITON | |
| 37 | 1 | Drain Plug | ASTM A276/479 F316 | ASTM A276/479 F316 | |
| 37a | 1 | Drain "O" Ring | VITON | VITON | |

Recommended spare parts



| FULL BORE | | | | | | | | | | | | | |
|-----------------|-----------|-------------------|-----|-------|-------|-------|-----|-----|-------|---------------|-----|-------|-------|
| VALVE SIZE | | DIMENSIONS [mm] | | | | | | | | WEIGHT [Kg] | | | |
| INCH | mm | A | | | | BORE | C | E | F | RF | RTJ | SW-BW | NPT/F |
| | | RF | RTJ | SW-BW | NPT/F | | | | | | | | |
| 1/2" x 1/2" | 15 x 15 | 216 | 216 | 216 | 3 | 12.7 | 40 | 95 | 172.5 | 5 | 5 | 3.5 | 3.5 |
| 3/4" x 3/4" | 20 x 20 | 229 | 229 | 229 | 8.5 | 19 | 48 | 102 | 218 | 11 | 11 | 9.5 | 9.5 |
| 1" x 1" | 25 x 25 | 254 | 254 | 254 | 14 | 25.4 | 61 | 115 | 218 | 18 | 18 | 15 | 15 |
| 1.1/2" x 1.1/2" | 40 x 40 | 305 | 305 | 305 | 27 | 38 | 90 | 147 | 420 | 34 | 34 | 30 | 30 |
| 2" x 2" | 50 x 50 | 368 | 371 | 368 | 40 | 51 | 100 | 158 | 420 | 50 | 50 | 45 | 45 |
| 3" x 3" | 80 x 80 | 470 | 473 | 470 | - | 76 | 148 | 335 | 400 | 90 | 90 | 60 | - |
| 4" x 4" | 100 x 100 | 546 | 549 | 160 | - | 101.6 | 188 | 385 | 500 | 185 | 190 | 150 | - |

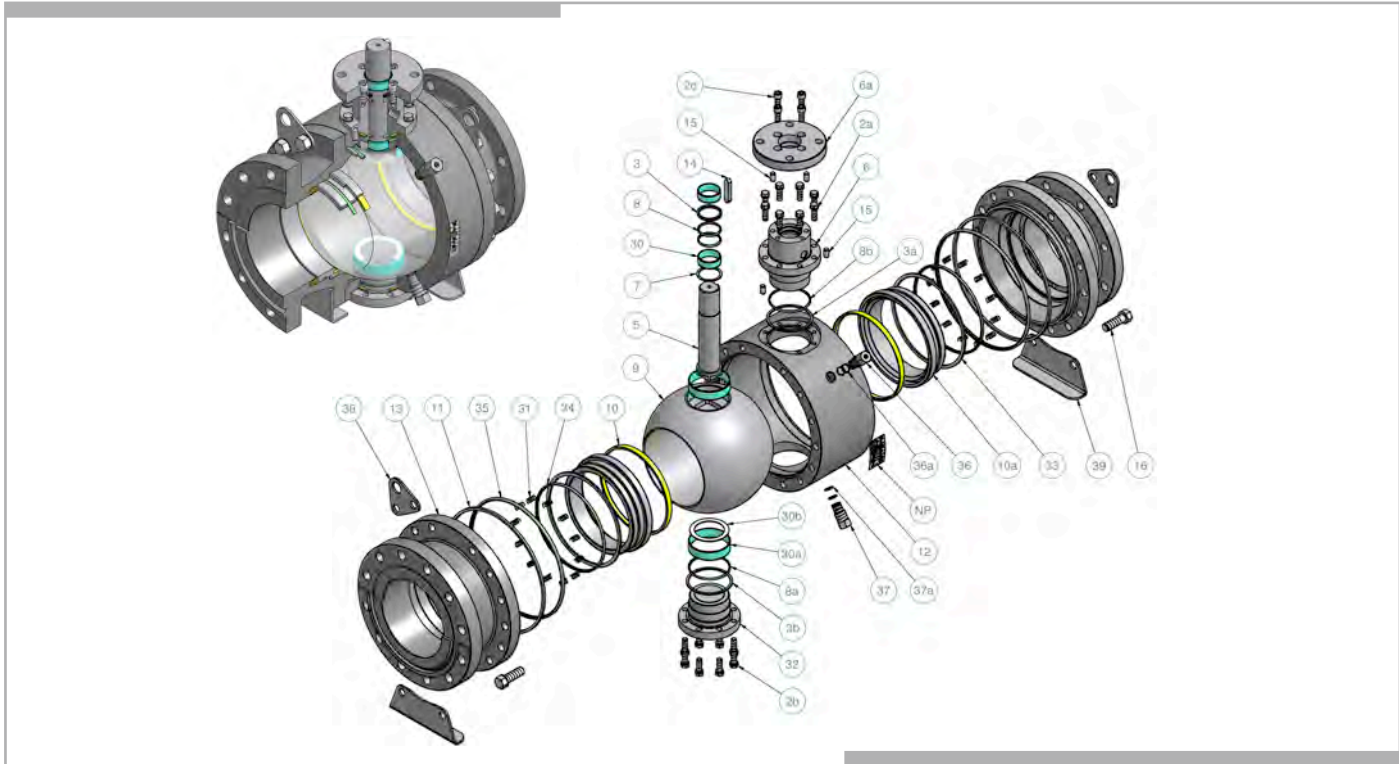
| MANUAL GEAR OPERATION OR AUTOMATION | | | | | | | |
|-------------------------------------|-----|------|-----|-----|-----|-----|----------|
| DIMENSIONS [mm] | | | | | | | ISO 5211 |
| V | L | D | G | N | T | | |
| 12 | 7.5 | 5 | 6.5 | 42 | M5 | F04 | |
| 15 | 9 | 7.5 | 8.5 | 50 | M6 | F05 | |
| 15 | 9 | 9 | 10 | 50 | M6 | F05 | |
| 22 | 16 | 14.5 | 16 | 70 | M8 | F07 | |
| 24 | 18 | 19 | 22 | 70 | M8 | F07 | |
| 40 | 30 | 30 | 32 | 102 | M10 | F10 | |
| 55 | 36 | 40 | 42 | 125 | M12 | F12 | |

| REDUCED BORE | | | | | | | | | | | | | |
|--------------|-----------|-------------------|-----|-------|-------|-------|-----|-----|-------|---------------|-----|-------|-------|
| VALVE SIZE | | DIMENSIONS [mm] | | | | | | | | WEIGHT [Kg] | | | |
| INCH | mm | A | | | | BORE | C | E | F | RF | RTJ | SW-BW | NPT/F |
| | | RF | RTJ | SW-BW | NPT/F | | | | | | | | |
| 3/4" x 1/2" | 20 x 15 | 229 | 229 | 229 | 3.5 | 12.7 | 40 | 95 | 172.5 | 6.5 | 6.5 | 4 | 4 |
| 1" x 3/4" | 25 x 20 | 254 | 254 | 254 | 14.5 | 19 | 48 | 102 | 218 | 13 | 13 | 11 | 11 |
| 1.1/4" x 1" | 32 x 25 | 280 | 280 | 280 | 170 | 25.4 | 61 | 115 | 218 | 22 | 22 | 16 | 16 |
| 1.1/2" x 1" | 40 x 25 | 305 | 305 | 305 | 170 | 25.4 | 61 | 115 | 218 | 25 | 25 | 17 | 17 |
| 2" x 1.1/2" | 50 x 40 | 368 | 371 | 368 | 220 | 38 | 90 | 147 | 420 | 40 | 40 | 33 | 33 |
| 3" x 2" | 80 x 50 | 470 | 473 | 470 | - | 51 | 100 | 158 | 420 | 68 | 69 | 48 | - |
| 4" x 3" | 100 x 80 | 546 | 549 | 546 | - | 76 | 148 | 335 | 400 | 120 | 122 | 75 | - |
| 6" x 4" | 150 x 100 | 705 | 711 | 705 | - | 101.6 | 188 | 385 | 500 | 230 | 235 | 155 | - |

| MANUAL GEAR OPERATION OR AUTOMATION | | | | | | | |
|-------------------------------------|-----|------|-----|-----|-----|-----|----------|
| DIMENSIONS [mm] | | | | | | | ISO 5211 |
| V | L | D | G | N | T | | |
| 12 | 7.5 | 5 | 6.5 | 42 | M5 | F04 | |
| 15 | 9 | 7.5 | 8.5 | 50 | M6 | F05 | |
| 15 | 9 | 9 | 10 | 50 | M6 | F05 | |
| 22 | 16 | 14.5 | 16 | 70 | M8 | F07 | |
| 24 | 18 | 19 | 22 | 70 | M8 | F07 | |
| 40 | 30 | 30 | 32 | 102 | M10 | F10 | |
| 55 | 36 | 40 | 42 | 125 | M12 | F12 | |

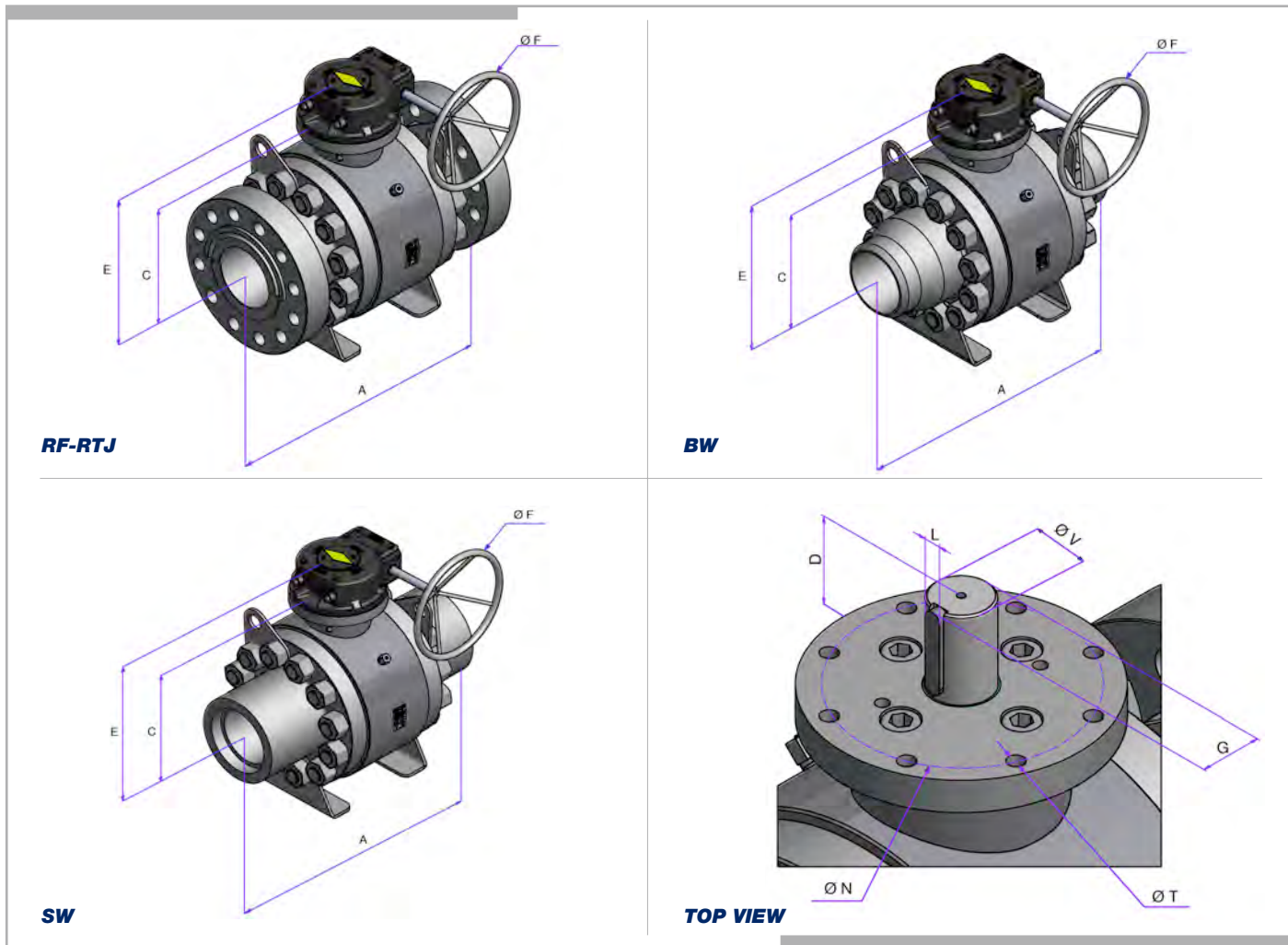
Gear Operated

Dimensions and weights are subject to change without notice.
 Face to face dimensions not listed in industry standards are subject to change without notice.



| ITEM NO. | Q.TY | PART NAME | MATERIAL (LF2/F316) | MATERIAL (F316/F316) | SPECIAL |
|----------------|-------|------------------------------------|---|---|--------------|
| NP | 1 | Name Plate | Stainless Steel | Stainless Steel | |
| 2a | ***** | Top Cover Screw | ASTM A193 B8 | ASTM A193 B8 | |
| 2b | ***** | Trunnion Screw | ASTM A193 B8 | ASTM A193 B8 | |
| 2c | ***** | Upper Flange Screw | ASTM A193 B8 | ASTM A193 B8 | |
| 3 | 1 | Stem Fire Seal | Graphite | Graphite | |
| 3a | 1 | Top Cover Fire Seal | Graphite | Graphite | |
| 3b | 1 | Trunnion Fire Seal | Graphite | Graphite | |
| 5 | 1 | Upper Stem | ASTM A276/479 F316 | ASTM A276/479 F316 | |
| 6 | 1 | Top Cover | ASTM A350 LF2 | ASTM A276/479 F316 | |
| 6a | 1 | Upper Flange | ASTM A350 LF2 | ASTM A276/479 F316 | |
| 7 | 1 | Thrust Washer | Reinforced PTFE | Reinforced PTFE | |
| 8 - 8a - 8b | ***** | Stem - Trunnion Top Cover "O" Ring | VITON | VITON | |
| 9 | 1 | Ball | ASTM A276/479 F316 | ASTM A276/479 F316 | |
| 10 | 2 | Insert Seat | T-R-S LOW PRESSURE N-D-P-E HIGH PRESSURE | T-R-S LOW PRESSURE N-D-P-E HIGH PRESSURE | METAL SEATED |
| 10a | 2 | Seat Ring | ASTM A276/479 F316 | ASTM A276/479 F316 | |
| 11 | 2 | Adaptor Fire Seal | Graphite | Graphite | |
| 12 | 1 | Body | ASTM A350 LF2 | ASTM A276/479 F316 | |
| 13 | 2 | Adaptor Flange | ASTM A350 LF2 | ASTM A276/479 F316 | |
| 14 | 1 | Stem Key | Carbon Steel | Carbon Steel | |
| 15 | 4 | Top Cover / Upper Flange Pin | INCONEL X -750 | INCONEL X -750 | |
| 16 | ***** | Adaptor Bolts | ASTM A320 L7M | ASTM A193 B8M | |
| 30 - 30a - 30b | 2+2+1 | Stem - Ball - Trunnion Bearing | ASTM A276/479 F316 | ASTM A276/479 F316 | |
| 31 | ***** | Seat Spring | INCONEL X - 750 | INCONEL X - 750 | |
| 32 | 1 | Trunnion | ASTM A276/479 F316 | ASTM A276/479 F316 | |
| 33 | 2 | Seat Fire Seal | Graphite | Graphite | |
| 34 | 2 | Seat "O" Ring | VITON | VITON | |
| 35 | 2 | Adaptor "O" Ring | VITON | VITON | |
| 36 | 1 | Vent valve / bleeder | ASTM A276/479 F316 | ASTM A276/479 F316 | |
| 36a | 2 | Vent "O" Ring | VITON | VITON | |
| 37 | 1 | Drain Plug | ASTM A276/479 F316 | ASTM A276/479 F316 | |
| 37a | 1 | Drain "O" Ring | VITON | VITON | |
| 38 | 2 | Lifting Lug | ASTM A350 LF2 | ASTM A276/479 F316 | |
| 39 | 2 | Foot | ASTM A350 LF2 | ASTM A276/479 F316 | |

Recommended spare parts

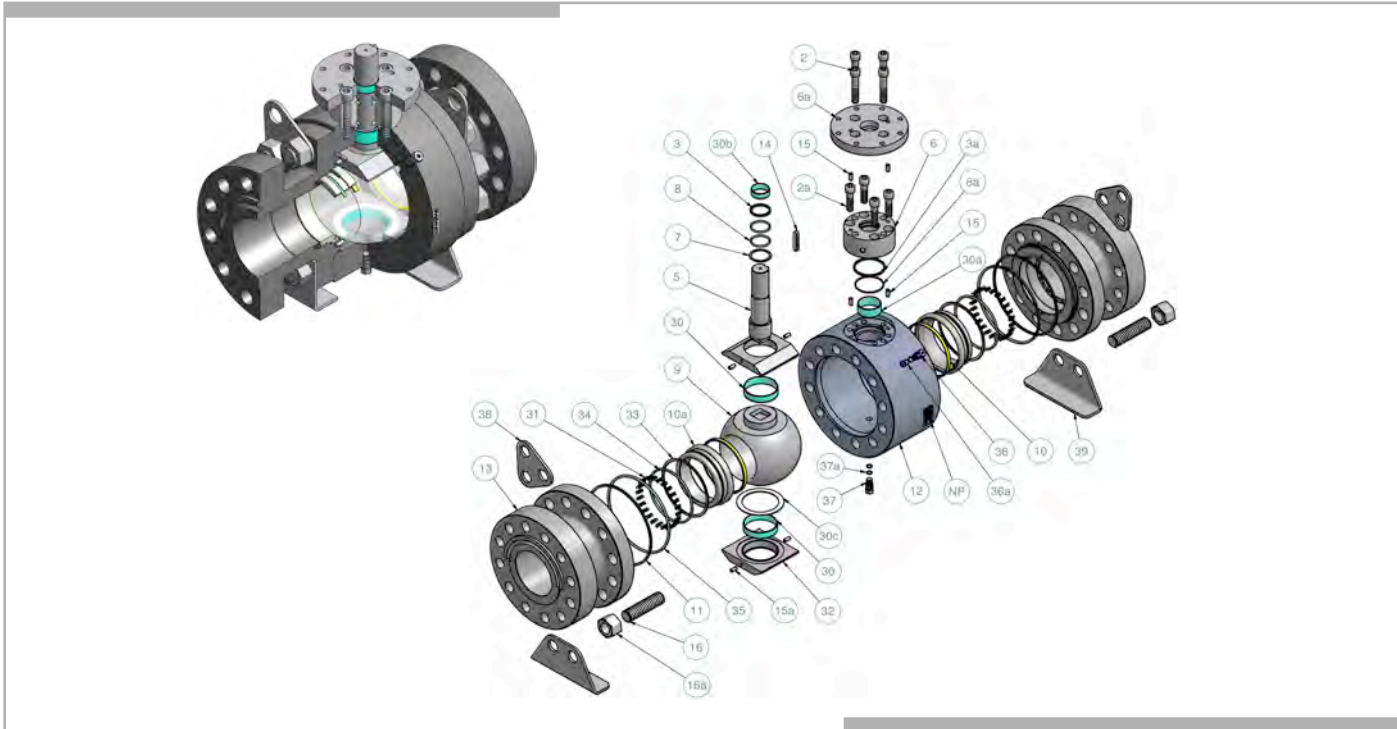


| FULL BORE | | | | | | | | | | | MANUAL GEAR OPERATION OR AUTOMATION | | | | | | | | |
|------------|-----------|-------------------|-----|-----|-----|------|-----|-------|-----|---------------|-------------------------------------|-------|-------------------|----|------|----|-----|----|----------|
| VALVE SIZE | | DIMENSIONS [mm] | | | | | | | | WEIGHT [Kg] | | | DIMENSIONS [mm] | | | | | | ISO 5211 |
| INCH | mm | A | | | | BORE | C | E | F | RF | RTJ | SW-BW | V | L | D | G | N | T | |
| | | RF | RTJ | SW | BW | | | | | | | | | | | | | | |
| 6" x 6" | 150 x 150 | 703 | 711 | 705 | 705 | 144 | 331 | 407.5 | 600 | 545 | 550 | 540 | 58 | 16 | 76.5 | 63 | 197 | 13 | F20 |

| REDUCED BORE | | | | | | | | | | | MANUAL GEAR OPERATION OR AUTOMATION | | | | | | | | |
|--------------|-----------|-------------------|-----|-----|-----|------|-----|-------|-----|---------------|-------------------------------------|-------|-------------------|----|------|----|-----|----|----------|
| VALVE SIZE | | DIMENSIONS [mm] | | | | | | | | WEIGHT [Kg] | | | DIMENSIONS [mm] | | | | | | ISO 5211 |
| INCH | mm | A | | | | BORE | C | E | F | RF | RTJ | SW-BW | V | L | D | G | N | T | |
| | | RF | RTJ | SW | BW | | | | | | | | | | | | | | |
| 8" x 6" | 200 x 150 | 737 | 740 | 737 | 737 | 144 | 331 | 407.5 | 600 | 660 | 670 | 650 | 58 | 16 | 76.5 | 63 | 197 | 13 | F20 |

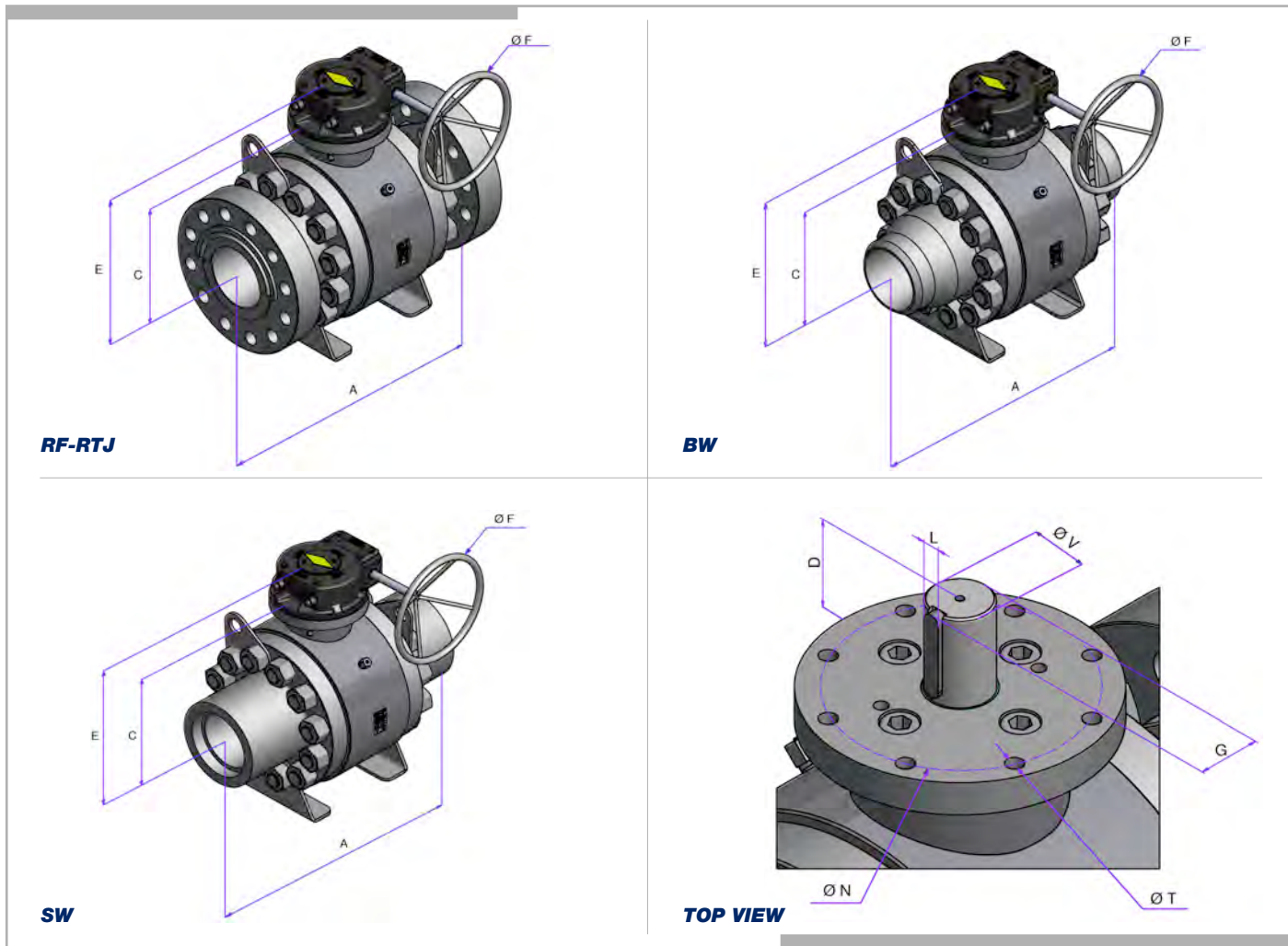
Gear Operated

Dimensions and weights are subject to change without notice.
 Face to face dimensions not listed in industry standards are subject to change without notice.



| ITEM NO. | Q.TY | PART NAME | MATERIAL (LF2/F316) | MATERIAL (F316/F316) | SPECIAL |
|-----------|-------|------------------------------|---|---|--------------|
| NP | 1 | Name Plate | Stainless Steel | Stainless Steel | |
| 2 | ***** | Upper Flange Screw | ASTM A193 B8 | ASTM A193 B8 | |
| 2a | ***** | Top Cover Screw | ASTM A193 B8 | ASTM A193 B8 | |
| 3 | 1 | Stem Fire Seal | Graphite | Graphite | |
| 3a | 1 | Top Cover Fire Seal | Graphite | Graphite | |
| 5 | 1 | Upper Stem | ASTM A276/479 F316 | ASTM A276/479 F316 | |
| 6 | 1 | Top Cover | ASTM A350 LF2 | ASTM A276/479 F316 | |
| 6a | 1 | Upper Flange | ASTM A350 LF2 | ASTM A276/479 F316 | |
| 7 | 1 | Thrust Washer | Reinforced PTFE | Reinforced PTFE | |
| 8 | 2 | Stem "O" Ring | VITON | VITON | |
| 8a | 1 | Top Cover "O" Ring | VITON | VITON | |
| 9 | 1 | Ball | ASTM A276/479 F316 | ASTM A276/479 F316 | |
| 10 | 2 | Insert Seat | T-R-S LOW PRESSURE N-D-P-E HIGH PRESSURE | T-R-S LOW PRESSURE N-D-P-E HIGH PRESSURE | METAL SEATED |
| 10a | 2 | Seat Ring | ASTM A276/479 F316 | ASTM A276/479 F316 | |
| 11 | 2 | Adaptor Fire Seal | Graphite | Graphite | |
| 12 | 1 | Body | ASTM A350 LF2 | ASTM A276/479 F316 | |
| 13 | 2 | Adaptor Flange | ASTM A350 LF2 | ASTM A276/479 F316 | |
| 14 | 1 | Stem Key | Carbon Steel | Carbon Steel | |
| 15 | 4 | Top Cover / Upper Flange Pin | INCONEL X - 750 | INCONEL X - 750 | |
| 15a | 4 | Plate Pin | INCONEL X - 750 | INCONEL X - 750 | |
| 16 | ***** | Stud Bolts | ASTM A320 L7M | ASTM A193 B8M | |
| 16a | ***** | Nuts | ASTM A194 GR 4 | ASTM A194 GR8 M | |
| 30 | 2 | Ball Bearing | ASTM A276/479 F316 | ASTM A276/479 F316 | |
| 30a - 30b | 1+1 | Stem - Body Bearing | ASTM A276/479 F316 | ASTM A276/479 F316 | |
| 30c | 1 | Plate Bearing | PTFE | PTFE | |
| 31 | ***** | Seat Spring | INCONEL X - 750 | INCONEL X - 750 | |
| 32 | 2 | Plate | ASTM A276/479 F316 | ASTM A276/479 F316 | |
| 33 | 2 | Seat Fire Seal | Graphite | Graphite | |
| 34 | 2 | Seat "O" Ring | VITON | VITON | |
| 35 | 2 | Adaptor "O" Ring | VITON | VITON | |
| 36 | 1 | Vent valve / bleeder | ASTM A276/479 F316 | ASTM A276/479 F316 | |
| 36a | 2 | Vent "O" Ring | VITON | VITON | |
| 37 | 1 | Drain Plug | ASTM A276/479 F316 | ASTM A276/479 F316 | |
| 37a | 1 | Drain "O" Ring | VITON | VITON | |
| 38 | 2 | Lifting Lug | ASTM A350 LF2 | ASTM A276/479 F316 | |
| 39 | 2 | Foot | ASTM A350 LF2 | ASTM A276/479 F316 | |

Recommended spare parts



| FULL BORE | | | | | | | | | | | | |
|------------|-----------|-------------------|------|-----|-----|------|-------|-----|-----|---------------|------|-------|
| VALVE SIZE | | DIMENSIONS [mm] | | | | | | | | WEIGHT [Kg] | | |
| INCH | mm | A | | | | BORE | C | E | F | RF | RTJ | SW-BW |
| | | RF | RTJ | SW | BW | | | | | | | |
| 8" x 8" | 200 x 200 | 832 | 841 | 832 | 832 | 195 | 360 | 492 | 800 | 855 | 865 | 850 |
| 10" x 10" | 250 x 250 | 991 | 1000 | 991 | 991 | 240 | 401.5 | 562 | 800 | 1377 | 1385 | 1300 |

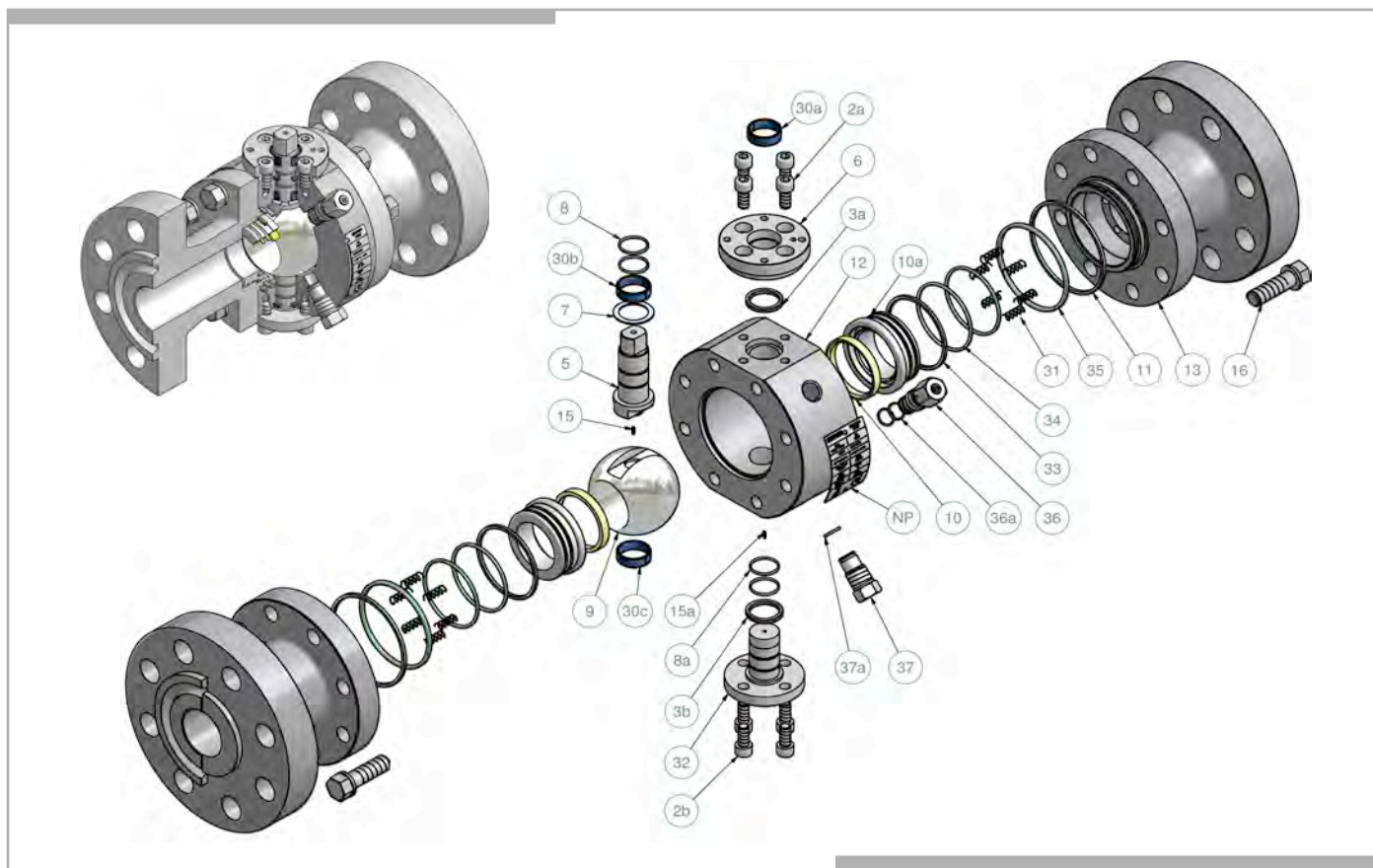
| MANUAL GEAR OPERATION OR AUTOMATION | | | | | | |
|-------------------------------------|----|-------|------|-----|----|----------|
| DIMENSIONS [mm] | | | | | | ISO 5211 |
| V | L | D | G | N | T | |
| 65 | 18 | 96.5 | 69 | 254 | 18 | F25 |
| 70 | 20 | 102.5 | 74.5 | 298 | 21 | F30 |

| REDUCED BORE | | | | | | | | | | | | |
|--------------|-----------|-------------------|------|------|------|------|-------|-----|-----|---------------|------|-------|
| VALVE SIZE | | DIMENSIONS [mm] | | | | | | | | WEIGHT [Kg] | | |
| INCH | mm | A | | | | BORE | C | E | F | RF | RTJ | SW-BW |
| | | RF | RTJ | SW | BW | | | | | | | |
| 10" x 8" | 250 x 200 | 991 | 1000 | 991 | 991 | 195 | 360 | 492 | 800 | 1107 | 1120 | 1100 |
| 12" x 10" | 300 x 250 | 1130 | 1146 | 1130 | 1130 | 240 | 401.5 | 562 | 800 | 1479 | 1587 | 1450 |

| MANUAL GEAR OPERATION OR AUTOMATION | | | | | | |
|-------------------------------------|----|-------|------|-----|----|----------|
| DIMENSIONS [mm] | | | | | | ISO 5211 |
| V | L | D | G | N | T | |
| 65 | 18 | 96.5 | 69 | 254 | 18 | F25 |
| 70 | 20 | 102.5 | 74.5 | 298 | 21 | F30 |

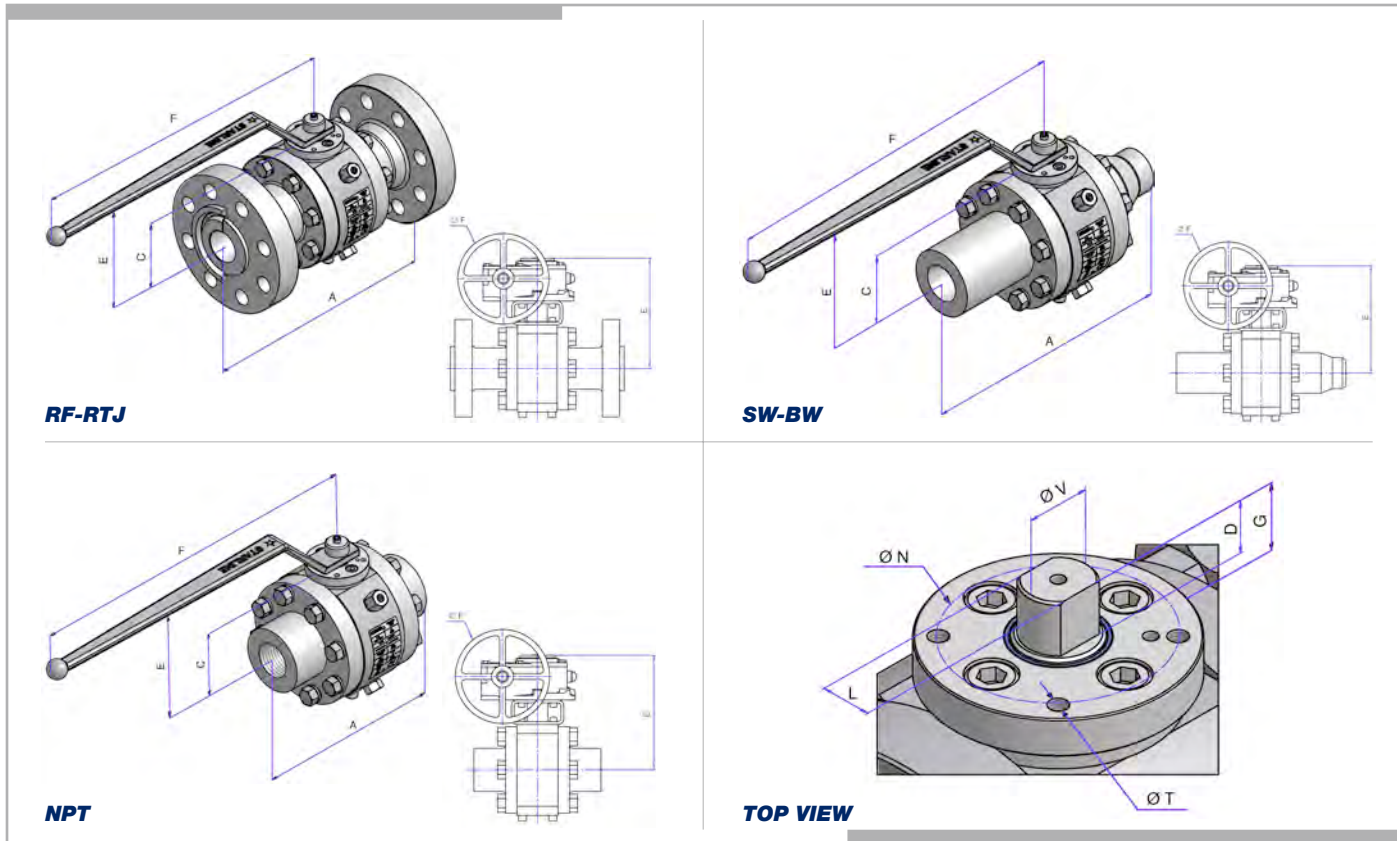
 Gear Operated

Dimensions and weights are subject to change without notice.
 Face to face dimensions not listed in industry standards are subject to change without notice.



| ITEM NO. | Q. TY | PART NAME | MATERIAL (LF2/F316) | MATERIAL (F316/F316) | SPECIAL |
|-----------------|-------|----------------------|---|---|--------------|
| NP | 1 | Name Plate | Stainless Steel | Stainless Steel | |
| 2a | ***** | Top Cover Screw | ASTM A193 B8 | ASTM A193 B8 | |
| 2 b | ***** | Trunnion Screw | ASTM A193 B8 | ASTM A193 B8 | |
| 3a | 1 | Stem Fire Seal | Graphite | Graphite | |
| 3 b | 1 | Trunnion Fire Seal | Graphite | Graphite | |
| 5 | 1 | Upper Stem | ASTM A276/479 F316 | ASTM A276/479 F316 | |
| 6 | 1 | Top Cover | ASTM A350 LF2 | ASTM A276/479 F316 | |
| 7 | 1 | Thrust Washer | Reinforced PTFE | Reinforced PTFE | |
| 8 | ***** | Stem "O" Ring | VITON | VITON | |
| 8a | ***** | Trunnion "O" Ring | VITON | VITON | |
| 9 | 1 | Ball | ASTM A276/479 F316 | ASTM A276/479 F316 | |
| 10 | 2 | Insert Seat | T-R-S LOW PRESSURE N-D-P-E HIGH PRESSURE | T-R-S LOW PRESSURE N-D-P-E HIGH PRESSURE | METAL SEATED |
| 10a | 2 | Seat Ring | ASTM A276/479 F316 | ASTM A276/479 F316 | |
| 11 | 2 | Adaptor Fire Seal | Graphite | Graphite | |
| 12 | 1 | Body | ASTM A350 LF2 | ASTM A276/479 F316 | |
| 13 | 2 | Adaptor Flange | ASTM A350 LF2 | ASTM A276/479 F316 | |
| 15 - 15a | 2 | Antistatic Spring | INCONEL X - 750 | INCONEL X - 750 | |
| 16 | ***** | Adaptor Bolts | ASTM A320 L7M | ASTM A193 B8M | |
| 30a - 30b - 30c | 1+1+1 | Bearing | ASTM A276/479 F316 | ASTM A276/479 F316 | |
| 31 | ***** | Seat Spring | INCONEL X - 750 | INCONEL X - 750 | |
| 32 | 1 | Trunnion | ASTM A276/479 F316 | ASTM A276/479 F316 | |
| 33 | 2 | Seat Fire Seal | Graphite | Graphite | |
| 34 | ***** | Seat "O" Ring | VITON | VITON | |
| 35 | 2 | Adaptor "O" Ring | VITON | VITON | |
| 36 | 1 | Vent valve / bleeder | ASTM A276/479 F316 | ASTM A276/479 F316 | |
| 36a | 2 | Vent "O" Ring | VITON | VITON | |
| 37 | 1 | Drain Plug | ASTM A276/479 F316 | ASTM A276/479 F316 | |
| 37a | 1 | Drain "O" Ring | VITON | VITON | |

Recommended spare parts



| FULL BORE | | | | | | | | | | | | | |
|-----------------|---------|-------------------|-----|-------|-------|------|-----|-----|-----|---------------|-----|-------|-------|
| VALVE SIZE | | DIMENSIONS [mm] | | | | | | | | WEIGHT [Kg] | | | |
| INCH | mm | A | | | | BORE | C | E | F | RF | RTJ | SW-BW | NPT/F |
| | | RF | RTJ | SW-BW | NPT/F | | | | | | | | |
| 1/2" x 1/2" | 15 x 15 | 263 | 263 | 263 | 7 | 12.7 | 49 | 103 | 218 | 10 | 10 | 8 | 8 |
| 3/4" x 3/4" | 20 x 20 | 273 | 273 | 273 | 12 | 16 | 49 | 103 | 218 | 20 | 20 | 15 | 15 |
| 1" x 1" | 25 x 25 | 308 | 308 | 308 | 18 | 21 | 62 | 115 | 218 | 26 | 26 | 20 | 20 |
| 1.1/2" x 1.1/2" | 40 x 40 | 42 | 387 | 384 | 27 | 34 | 85 | 142 | 420 | 44 | 44 | 38 | 40 |
| 2" x 2" | 50 x 50 | 451 | 454 | 451 | 40 | 44.5 | 100 | 158 | 420 | 72 | 75 | 42 | 45 |
| 3" x 3" | 80 x 80 | 578 | 584 | 578 | - | 64 | 142 | 335 | 400 | 160 | 163 | 120 | - |

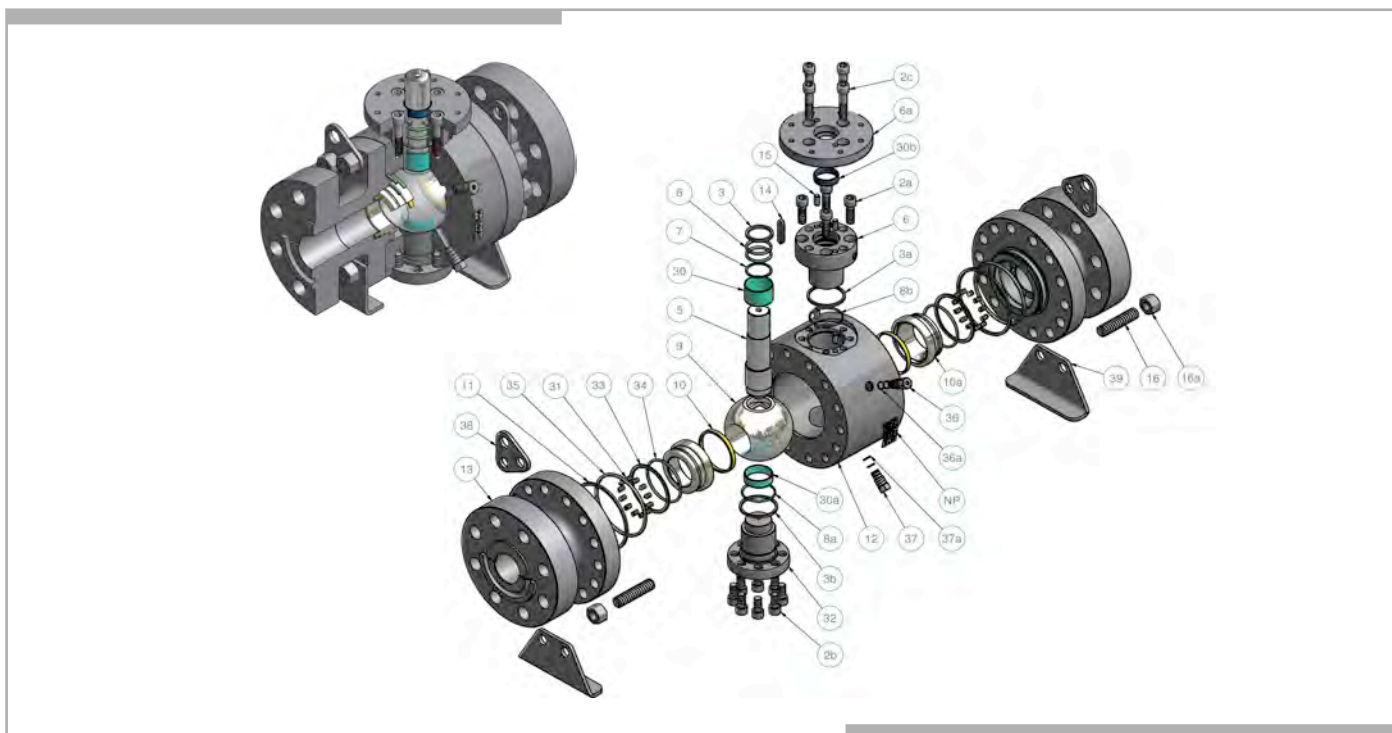
| MANUAL GEAR OPERATION OR AUTOMATION | | | | | | | |
|-------------------------------------|----|------|-----|-----|-----|-----|----------|
| DIMENSIONS [mm] | | | | | | | ISO 5211 |
| V | L | D | G | N | T | | |
| 15 | 9 | 7.5 | 8.5 | 50 | M6 | F05 | |
| 15 | 9 | 7.5 | 8.5 | 50 | M6 | F05 | |
| 15 | 9 | 9 | 10 | 50 | M6 | F05 | |
| 22 | 16 | 14.5 | 16 | 70 | M8 | F07 | |
| 24 | 18 | 19 | 22 | 70 | M8 | F07 | |
| 40 | 30 | 30 | 31 | 102 | M10 | F10 | |

| REDUCED BORE | | | | | | | | | | | | | |
|--------------|----------|-------------------|-------|-------|-------|------|-----|-----|-----|---------------|-----|-------|-------|
| VALVE SIZE | | DIMENSIONS [mm] | | | | | | | | WEIGHT [Kg] | | | |
| INCH | mm | A | | | | BORE | C | E | F | RF | RTJ | SW-BW | NPT/F |
| | | RF | RTJ | SW-BW | NPT/F | | | | | | | | |
| 3/4" x 1/2" | 20 x 15 | 273 | 273 | 273 | 7 | 12.7 | 49 | 103 | 218 | 12 | 12 | 8.5 | 8.5 |
| 1" x 3/4" | 25 x 20 | 308 | 308 | 308 | 12 | 16 | 49 | 103 | 218 | 25 | 25 | 20 | 20 |
| 1.1/4" x 1" | 32 x 25 | 349 | 352 | 349 | 18 | 21 | 62 | 116 | 218 | 32 | 33 | 25 | 25 |
| 1.1/2" x 1" | 40 x 25 | 384 | 387 | 384 | 18 | 21 | 62 | 116 | 218 | 35 | 37 | 28 | 28 |
| 2" x 1.1/2" | 50 x 40 | 451 | 454 | 451 | 38 | 34 | 85 | 142 | 420 | 52 | 55 | 40 | 42 |
| 3" x 2" | 80 x 50 | 578 | 584 | 578 | - | 44.5 | 100 | 158 | 420 | 100 | 103 | 45 | - |
| 4" x 3" | 100 x 80 | 673 | 682.5 | 673 | - | 64 | 142 | 335 | 400 | 215 | 220 | 135 | - |

| MANUAL GEAR OPERATION OR AUTOMATION | | | | | | | |
|-------------------------------------|----|------|-----|-----|-----|-----|----------|
| DIMENSIONS [mm] | | | | | | | ISO 5211 |
| V | L | D | G | N | T | | |
| 15 | 9 | 7.5 | 8.5 | 50 | M6 | F05 | |
| 15 | 9 | 7.5 | 8.5 | 50 | M6 | F05 | |
| 15 | 9 | 9 | 10 | 50 | M6 | F05 | |
| 15 | 9 | 9 | 10 | 50 | M6 | F05 | |
| 22 | 16 | 14.5 | 16 | 70 | M8 | F07 | |
| 24 | 18 | 15 | 22 | 70 | M8 | F07 | |
| 40 | 30 | 30 | 31 | 102 | M10 | F10 | |

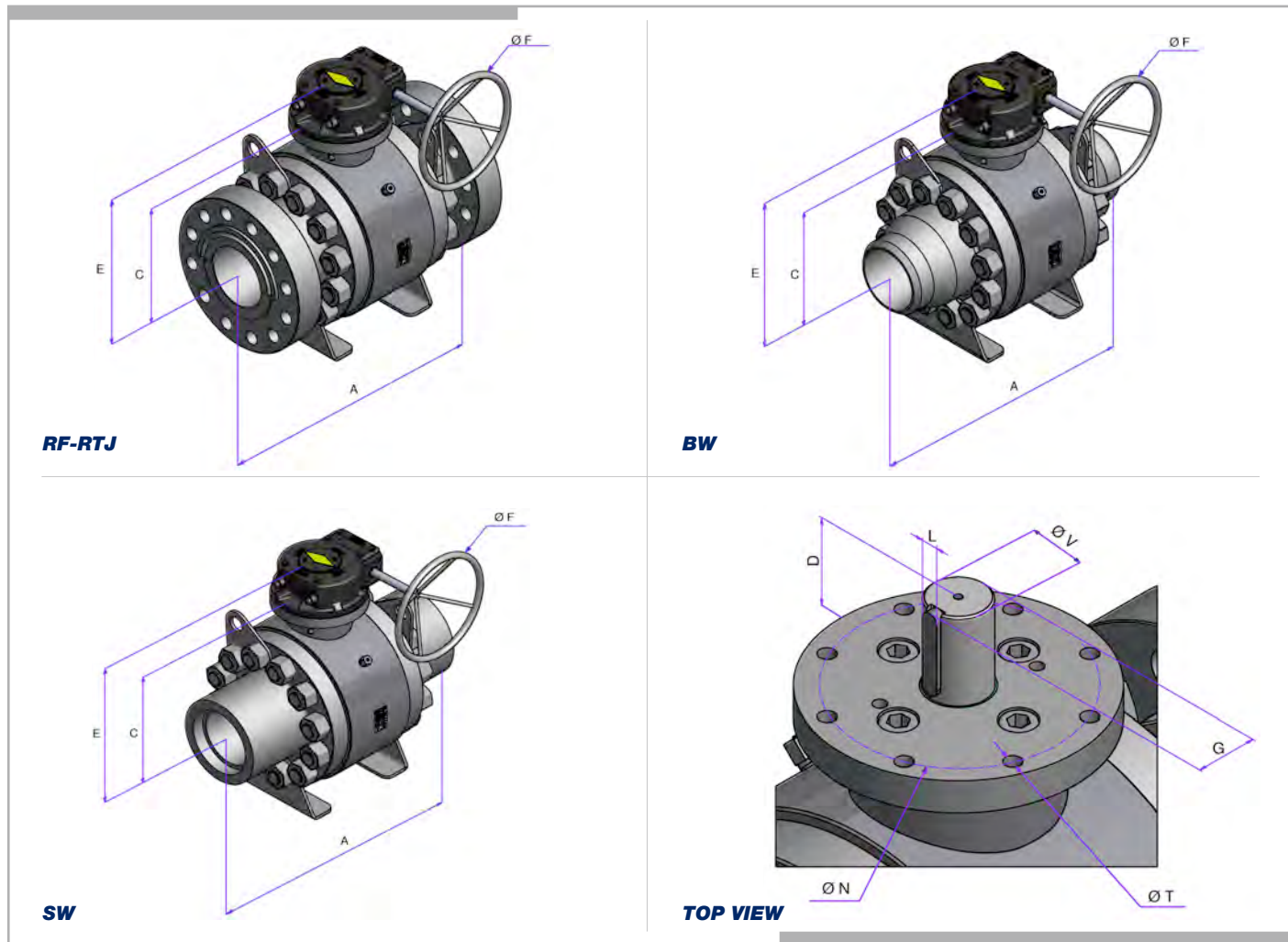
 Gear Operated

Dimensions and weights are subject to change without notice.
 Face to face dimensions not listed in industry standards are subject to change without notice.



| ITEM NO. | Q.TY | PART NAME | MATERIAL (LF2/F316) | MATERIAL (F316/F316) | SPECIAL |
|----------------|-------|------------------------------------|---|---|--------------|
| NP | 1 | Name Plate | Stainless Steel | Stainless Steel | |
| 2a | ***** | Top Cover Screw | ASTM A193 B8 | ASTM A193 B8 | |
| 2b | ***** | Trunnion Screw | ASTM A193 B8 | ASTM A193 B8 | |
| 2c | ***** | Upper Flange Screw | ASTM A193 B8 | ASTM A193 B8 | |
| 3 | 1 | Stem Fire Seal | Graphite | Graphite | |
| 3a | 1 | Top Cover Fire Seal | Graphite | Graphite | |
| 3b | 1 | Trunnion Fire Seal | Graphite | Graphite | |
| 5 | 1 | Upper Stem | ASTM A276/479 F316 | ASTM A276/479 F316 | |
| 6 | 1 | Top Cover | ASTM A350 LF2 | ASTM A276/479 F316 | |
| 6a | 1 | Upper Flange | ASTM A350 LF2 | ASTM A276/479 F316 | |
| 7 | 1 | Thrust Washer | Reinforced PTFE | Reinforced PTFE | |
| 8 - 8a - 8b | ***** | Stem - Trunnion Top Cover "O" Ring | VITON | VITON | |
| 9 | 1 | Ball | ASTM A276/479 F316 | ASTM A276/479 F316 | |
| 10 | 2 | Insert Seat | T-R-S LOW PRESSURE N-D-P-E HIGH PRESSURE | T-R-S LOW PRESSURE N-D-P-E HIGH PRESSURE | METAL SEATED |
| 10a | 2 | Seat Ring | ASTM A276/479 F316 | ASTM A276/479 F316 | |
| 11 | 2 | Adaptor Fire Seal | Graphite | Graphite | |
| 12 | 1 | Body | ASTM A350 LF2 | ASTM A276/479 F316 | |
| 13 | 2 | Adaptor Flange | ASTM A350 LF2 | ASTM A276/479 F316 | |
| 14 | 1 | Stem Key | Carbon Steel | Carbon Steel | |
| 15 | 4 | Top Cover / Upper Flange Pin | INCONEL X - 750 | INCONEL X - 750 | |
| 16 | ***** | Stud Bolts | ASTM A320 L7M | ASTM A193 B8M | |
| 16a | ***** | Nuts | ASTM A194 GR 4 | ASTM A194 GR8 M | |
| 30 - 30a - 30b | 2+2+1 | Stem - Ball - Trunnion Bearing | ASTM A276/479 F316 | ASTM A276/479 F316 | |
| 31 | ***** | Seat Spring | INCONEL X - 750 | INCONEL X - 750 | |
| 32 | 1 | Trunnion | ASTM A276/479 F316 | ASTM A276/479 F316 | |
| 33 | 2 | Seat Fire Seal | Graphite | Graphite | |
| 34 | 2 | Seat "O" Ring | VITON | VITON | |
| 35 | 2 | Adaptor "O" Ring | VITON | VITON | |
| 36 | 1 | Vent valve / bleeder | ASTM A276/479 F316 | ASTM A276/479 F316 | |
| 36a | 2 | Vent "O" Ring | VITON | VITON | |
| 37 | 1 | Drain Plug | ASTM A276/479 F316 | ASTM A276/479 F316 | |
| 37a | 1 | Drain "O" Ring | VITON | VITON | |
| 38 | 2 | Lifting Lug | ASTM A350 LF2 | ASTM A276/479 F316 | |
| 39 | 2 | Foot | ASTM A350 LF2 | ASTM A276/479 F316 | |

Recommended spare parts



| FULL BORE | | | | | | | | | | | | |
|------------|-----------|-----------------|-----|-----|-----|------|-------|-----|-----|-------------|-----|-------|
| VALVE SIZE | | DIMENSIONS [mm] | | | | | | | | WEIGHT [Kg] | | |
| INCH | mm | A | | | | BORE | C | E | F | RF | RTJ | SW-BW |
| | | RF | RTJ | SW | BW | | | | | | | |
| 4" x 4" | 100 x 100 | 673 | 683 | 673 | 673 | 88 | 249.5 | 352 | 800 | 435 | 445 | 430 |

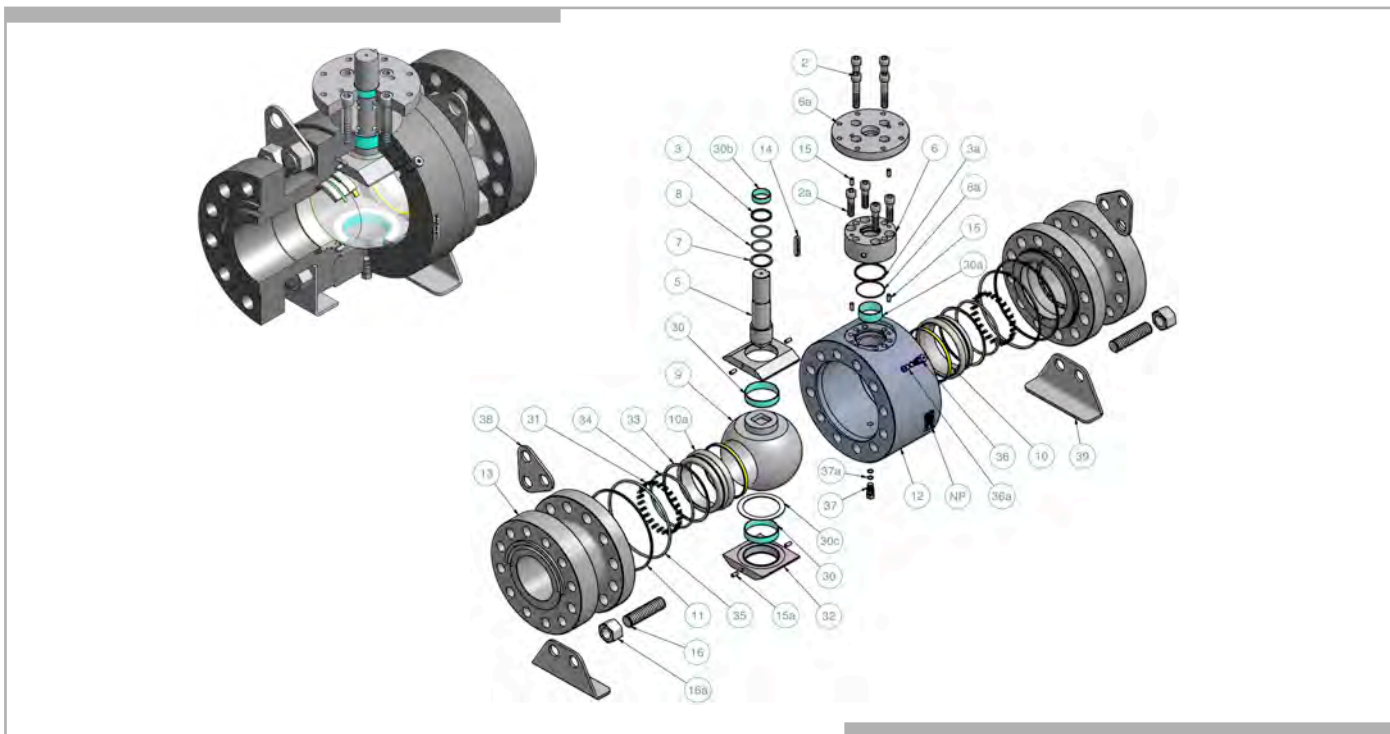
| MANUAL GEAR OPERATION OR AUTOMATION | | | | | | |
|-------------------------------------|----|------|----|-----|----|----------|
| DIMENSIONS [mm] | | | | | | ISO 5211 |
| V | L | D | G | N | T | |
| 58 | 16 | 76.5 | 62 | 197 | 13 | F20 |

| REDUCED BORE | | | | | | | | | | | | |
|--------------|-----------|-----------------|-----|-------|-------|------|-------|-----|-----|-------------|-----|-------|
| VALVE SIZE | | DIMENSIONS [mm] | | | | | | | | WEIGHT [Kg] | | |
| INCH | mm | A | | | | BORE | C | E | F | RF | RTJ | SW-BW |
| | | RF | RTJ | SW | BW | | | | | | | |
| 6" x 4" | 150 x 100 | 914.5 | 927 | 914.5 | 914.5 | 88 | 249.5 | 352 | 800 | 500 | 510 | 490 |

| MANUAL GEAR OPERATION OR AUTOMATION | | | | | | |
|-------------------------------------|----|------|----|-----|----|----------|
| DIMENSIONS [mm] | | | | | | ISO 5211 |
| V | L | D | G | N | T | |
| 58 | 16 | 76.5 | 62 | 197 | 13 | F20 |

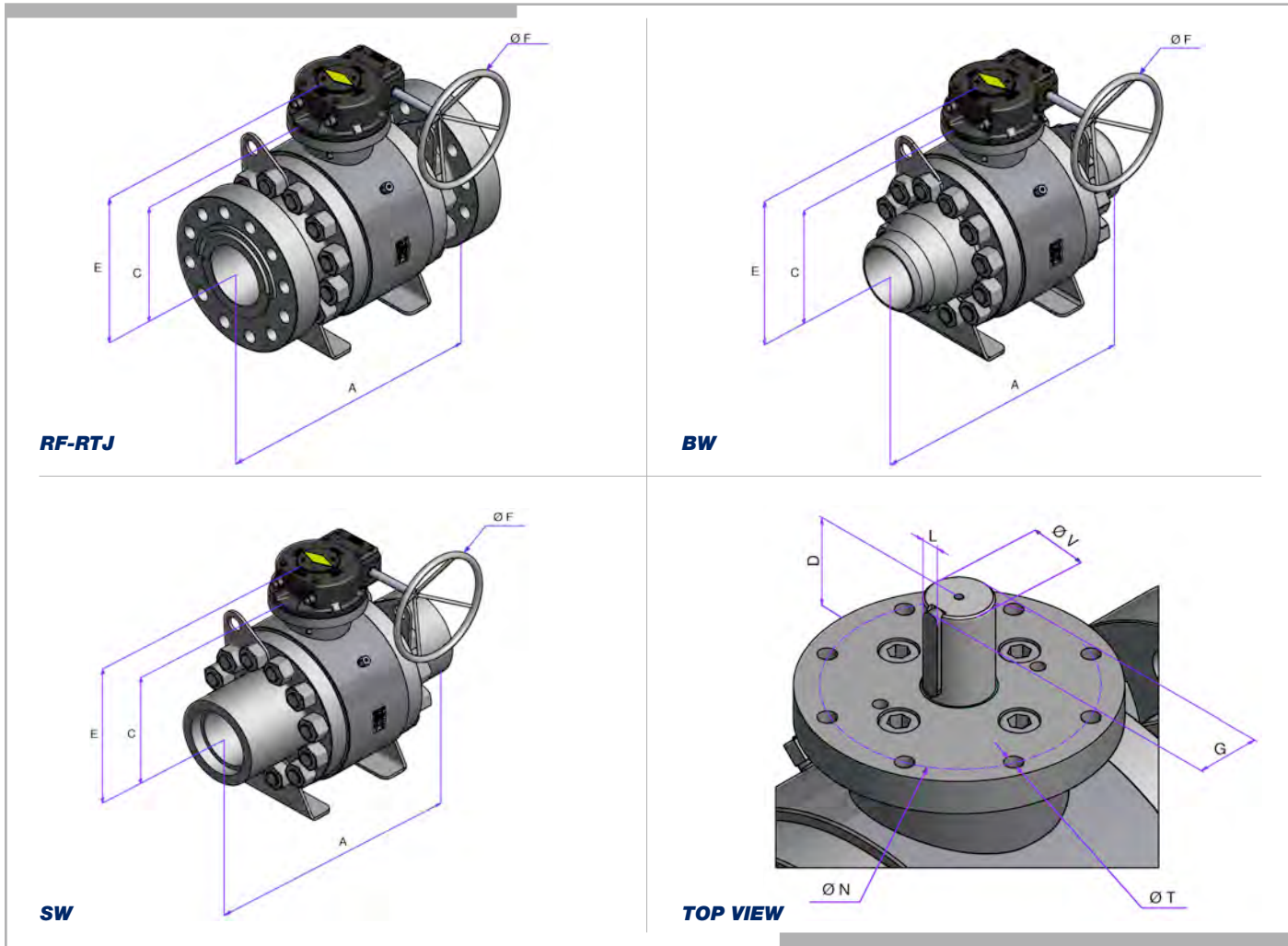
 Gear Operated

Dimensions and weights are subject to change without notice.
Face to face dimensions not listed in industry standards are subject to change without notice.



| ITEM NO. | Q.TY | PART NAME | MATERIAL (LF2/F316) | MATERIAL (F316/F316) | SPECIAL |
|-----------|-------|------------------------------|---|---|--------------|
| NP | 1 | Name Plate | Stainless Steel | Stainless Steel | |
| 2 | ***** | Upper Flange Screw | ASTM A193 B8 | ASTM A193 B8 | |
| 2a | ***** | Top Cover Screw | ASTM A193 B8 | ASTM A193 B8 | |
| 3 | 1 | Stem Fire Seal | Graphite | Graphite | |
| 3a | 1 | Top Cover Fire Seal | Graphite | Graphite | |
| 5 | 1 | Upper Stem | ASTM A276/479 F316 | ASTM A276/479 F316 | |
| 6 | 1 | Top Cover | ASTM A350 LF2 | ASTM A276/479 F316 | |
| 6a | 1 | Upper Flange | ASTM A350 LF2 | ASTM A276/479 F316 | |
| 7 | 1 | Thrust Washer | Reinforced PTFE | Reinforced PTFE | |
| 8 | 2 | Stem "O" Ring | VITON | VITON | |
| 8a | 1 | Top Cover "O" Ring | VITON | VITON | |
| 9 | 1 | Ball | ASTM A276/479 F316 | ASTM A276/479 F316 | |
| 10 | 2 | Insert Seat | T-R-S LOW PRESSURE N-D-P-E HIGH PRESSURE | T-R-S LOW PRESSURE N-D-P-E HIGH PRESSURE | METAL SEATED |
| 10a | 2 | Seat Ring | ASTM A276/479 F316 | ASTM A276/479 F316 | |
| 11 | 2 | Adaptor Fire Seal | Graphite | Graphite | |
| 12 | 1 | Body | ASTM A350 LF2 | ASTM A276/479 F316 | |
| 13 | 2 | Adaptor Flange | ASTM A350 LF2 | ASTM A276/479 F316 | |
| 14 | 1 | Stem Key | Carbon Steel | Carbon Steel | |
| 15 | 4 | Top Cover / Upper Flange Pin | INCONEL X - 750 | INCONEL X - 750 | |
| 15a | 4 | Plate Pin | INCONEL X - 750 | INCONEL X - 750 | |
| 16 | ***** | Stud Bolts | ASTM A320 L7M | ASTM A193 B8M | |
| 16a | ***** | Nuts | ASTM A194 GR 4 | ASTM A194 GR8 M | |
| 30 | 2 | Ball Bearing | ASTM A276/479 F316 | ASTM A276/479 F316 | |
| 30a - 30b | 1+1 | Stem - Bodybearing | ASTM A276/479 F316 | ASTM A276/479 F316 | |
| 30c | 1 | Plate Bearing | PTFE | PTFE | |
| 31 | ***** | Seat Spring | INCONEL X - 750 | INCONEL X - 750 | |
| 32 | 2 | Plate | ASTM A276/479 F316 | ASTM A276/479 F316 | |
| 33 | 2 | Seat Fire Seal | Graphite | Graphite | |
| 34 | 2 | Seat "O" Ring | VITON | VITON | |
| 35 | 2 | Adaptor "O" Ring | VITON | VITON | |
| 36 | 1 | Vent valve / bleeder | ASTM A276/479 F316 | ASTM A276/479 F316 | |
| 36a | 2 | Vent "O" Ring | VITON | VITON | |
| 37 | 1 | Drain Plug | ASTM A276/479 F316 | ASTM A276/479 F316 | |
| 37a | 1 | Drain "O" Ring | VITON | VITON | |
| 38 | 2 | Lifting Lug | ASTM A350 LF2 | ASTM A276/479 F316 | |
| 39 | 2 | Foot | ASTM A350 LF2 | ASTM A276/479 F316 | |

Recommended spare parts



| FULL BORE | | | | | | | | | | | | |
|------------|-----------|-----------------|------|-------|-------|------|-----|-----|-----|-------------|------|-------|
| VALVE SIZE | | DIMENSIONS [mm] | | | | | | | | WEIGHT [Kg] | | |
| INCH | mm | A | | | | BORE | C | E | F | RF | RTJ | SW-BW |
| | | RF | RTJ | SW | BW | | | | | | | |
| 6" x 6" | 150 x 150 | 914.5 | 927 | 914.5 | 914.5 | 131 | 343 | 475 | 800 | 1000 | 1010 | 1005 |
| 8" x 8" | 200 x 200 | 1022 | 1038 | 1022 | 1022 | 180 | 404 | 600 | 800 | 1509 | 1520 | 1500 |

| MANUAL GEAR OPERATION OR AUTOMATION | | | | | | |
|-------------------------------------|----|-------|------|-----|----|----------|
| DIMENSIONS [mm] | | | | | | ISO 5211 |
| V | L | D | G | N | T | |
| 65 | 18 | 96.5 | 69 | 254 | 18 | F25 |
| 70 | 20 | 102.5 | 74.5 | 298 | 21 | F30 |

| REDUCED BORE | | | | | | | | | | | | |
|--------------|-----------|-----------------|------|------|------|------|-----|-----|-----|-------------|------|-------|
| VALVE SIZE | | DIMENSIONS [mm] | | | | | | | | WEIGHT [Kg] | | |
| INCH | mm | A | | | | BORE | C | E | F | RF | RTJ | SW-BW |
| | | RF | RTJ | SW | BW | | | | | | | |
| 8" x 6" | 200 x 150 | 1022 | 1038 | 1022 | 1022 | 131 | 343 | 475 | 800 | 1100 | 1110 | 1095 |
| 10" x 8" | 250 x 200 | 1270 | 1292 | 1270 | 1270 | 180 | 404 | 600 | 800 | 1689 | 1290 | 1650 |

| MANUAL GEAR OPERATION OR AUTOMATION | | | | | | |
|-------------------------------------|----|-------|------|-----|----|----------|
| DIMENSIONS [mm] | | | | | | ISO 5211 |
| V | L | D | G | N | T | |
| 65 | 18 | 96.5 | 69 | 254 | 18 | F25 |
| 70 | 20 | 102.5 | 74.5 | 298 | 21 | F30 |

Gear Operated

Dimensions and weights are subject to change without notice.
 Face to face dimensions not listed in industry standards are subject to change without notice.