

TEST REPORT
SAF 2103-1/02

E.U.T. : Pneumatic Actuator
Model : AT300 D A F07-F10/22

Reference documents: see page 3

Client : **Air Torque S.p.a.**
Via Palazzo, sn
24061 Albano S.A. (BG) - Italy

Date of tests :2002/11/11

Technician : F. Mauri



Approved : R. Spanevello



Biassono, 2002/11/11

This test report consists of n° 7 pages

This test report can only be reproduced in full. Partial reproduction must be authorised in written by Nemko S.p.A.
This test report refers only to the tested samples

CONTENTS

1 - Equipment under test	page 3 of 7
2 - Reference documents	page 3 of 7
3 - Test equipment list	page 3 of 7
4 - Tests performed	page 3 of 7
5 - General test conditions	page 3 of 7
6 - Test conditions	page 4 of 7
7 - Test results	page 4 of 7
 <i>Attachment</i> : Annex 1: Sectional Drawing	 page 5 of 7
Annex 2: Photographs	page 6-7 of 7

1 - EQUIPMENT UNDER TEST (EUT)

Pneumatic Actuator

- Manufacturer : Air Torque S.p.a.
- Model : AT300 D A F07-F10/22
- Dimensions : See Annex 1

2 - REFERENCE DOCUMENTS

EN 60529 (1991) + IEC 60529 A1 (1999)

Degrees of protection provided by enclosures (IP Code)

3 - TEST EQUIPMENT LIST

<i>Equipment</i>	<i>Manufacturer</i>	Model	<i>s/n</i>
Water tank IPX7	A.T.S	---	00493
Dust chamber	A.T.S.	---	058
Test probe 1mm	A.T.S.	---	---

4 - TESTS PERFORMED

Degree of protection provided by enclosure **IP.67**

5 - GENERAL TEST CONDITIONS

Temperature: 25°C

Relative humidity RH: 55%

Atmospheric Pressure: 1010 mbar

6 - TEST CONDITIONS

The E.U.T. was installed in usual position (worst test condition) and the IP67 tests was performed. (see Photo). The screws used for enclosure are fixed with 6Nm

IP6X (protection against access to hazardous parts):
Test probe diameter.....: 1 mm

IP6X

Enclosure category.....: 1
Internal volume.....: 4.138,83 cm³
Extraction rate at 20mbar.....: < 40 volumes per hour
Test Duration.....: 8h

IPX7:

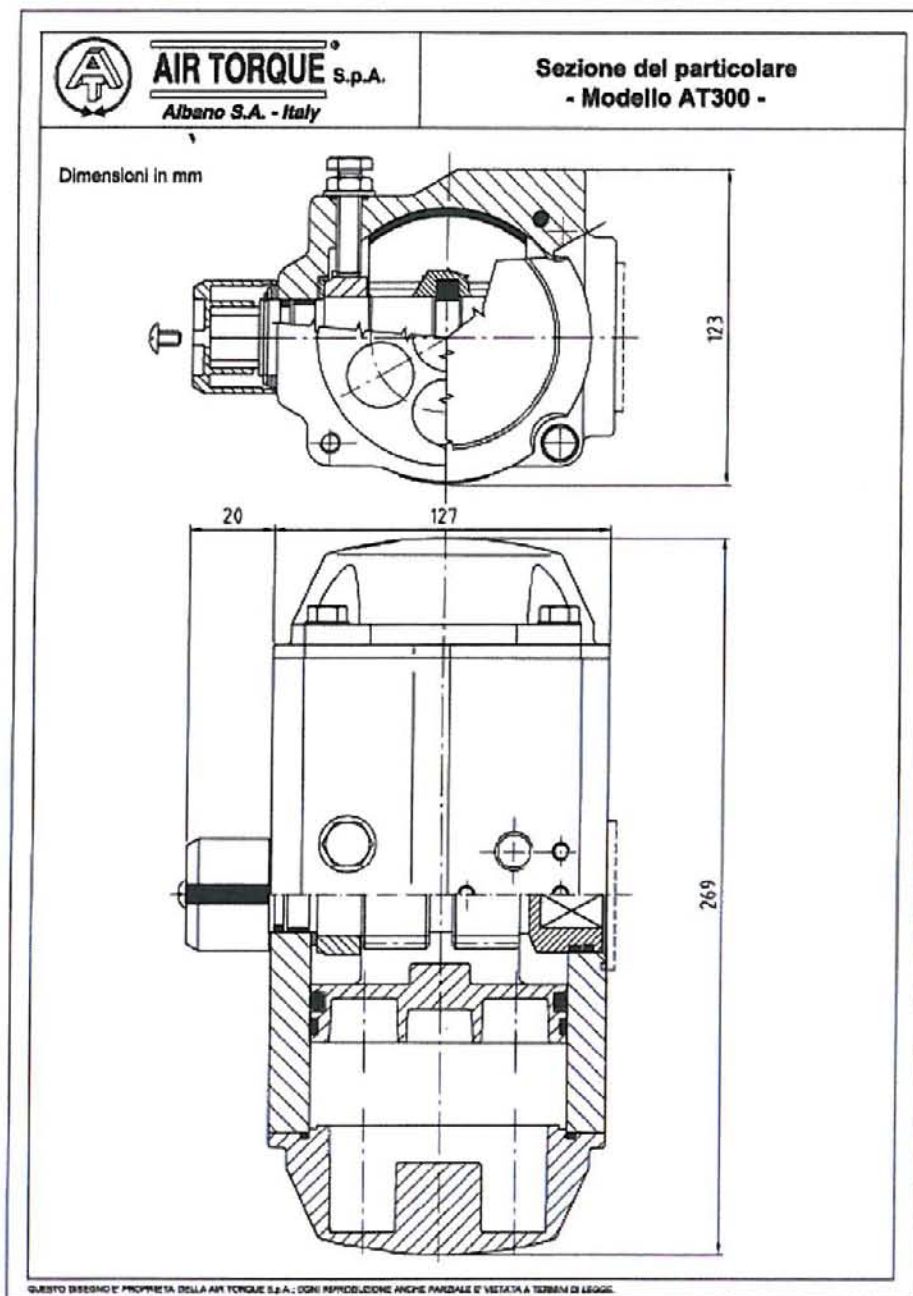
Level immersion depth : 1m (below the water surface)
Water temperature : 20°C
Test Duration : 30min

7 - TEST RESULTS

The EUT is **COMPLIED** with **IP67** as:

- * The test probe 1mm not entry inside the enclosure;
- * water was not present inside the enclosure;
- * dust was not present inside the enclosure.

ANNEX 1 : Sectional Drawing



ANNEX 2: Potographs

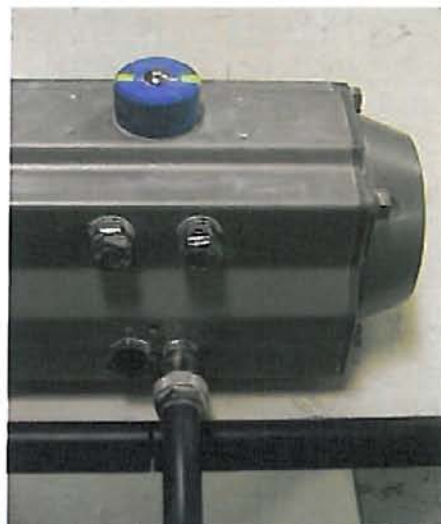
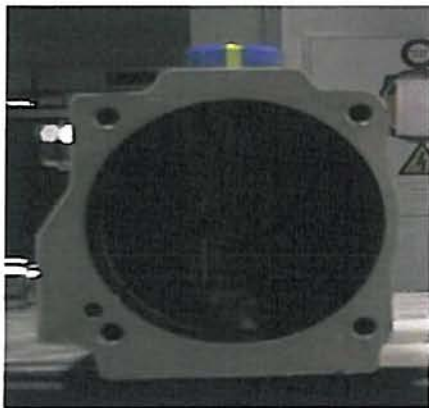


Fig.1 E.U.T. inside water tank



Fig.2 E.U.T. inside Dust chamber

ANNEX 2: Potographs



After Test