

Now!

**Actuator for
Butterfly Valves
that react to heat,
smoke or gas
sensors and
shut off valves
automatically
or remote
electrically.**



**Thermal & Electro-Thermal
Shut-off Actuators for Butterfly Valves**

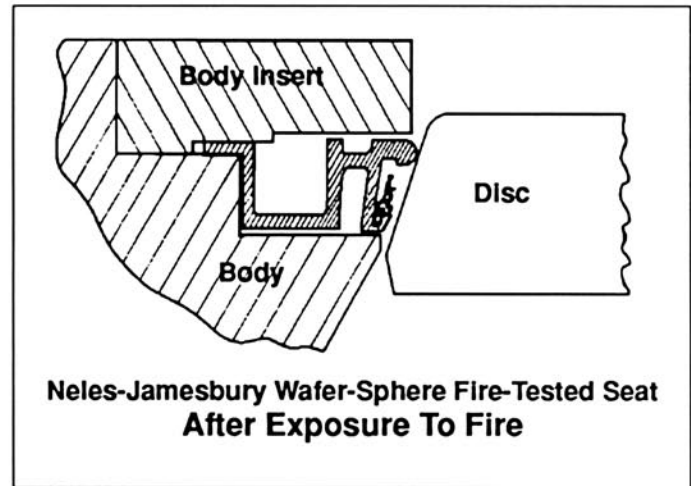
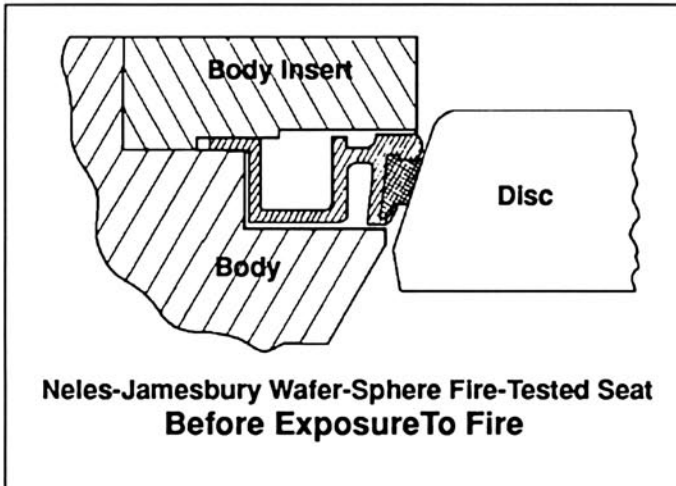
ESSEXTM
INDUSTRIES

Essex Industries, Inc.
7700 Gravois Avenue | St. Louis, MO 63123
PH (314) 832-4500 FAX (314) 752-3515
www.essexindustries.com

**During a
RAGING FIRE,
who turns
off the Fire-Safe
Valves?**

BUTTERFLY VALVES

Thermal & Electro-Thermal Shut-Off Actuators For Butterfly Valves



The Essex Factory Mutual approved Thermal and Electro-Thermal shut-off butterfly valve actuators meet the needs of petroleum and process industries, and in other plant applications where flammable fluids are piped and controlled.

The patented Essex Thermal Actuator (TA Series) when used in conjunction with high performance butterfly valves using resilient/metallic seating arrangement (See drawing above), has the ability to shut-off in the event of fire or a hazardous situation. This in effect, prevents a fire from spreading by fueling itself if a piping system ruptures and carries flammable fluids such as oil, gasoline, paints, natural gas, etc. These valves have been tested and meet performance requirements of British Standard (BS) 6755, Part 2, API standard 607 and various ANSI specifications.

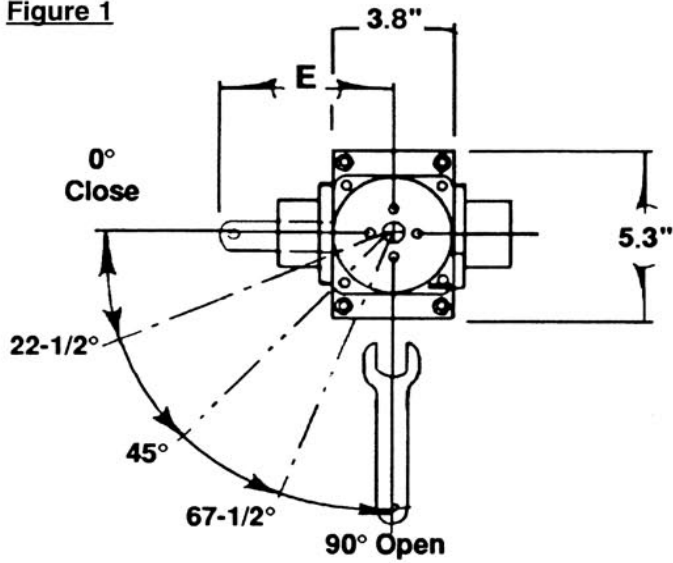
In addition, the Electro-Thermal Link (EA Series) actuator can operate from a remote location and/or be connected with an appropriate sensor (i.e. smoke detector; not supplied, claimed or approved by Essex Fluid Controls), to sense and actuate during other hazardous conditions such as in the presence of a gas leak, smoke, heat, dust or over-pressurization.

The basic TA Series Actuator comes standard with a 165° thermal link, but may be purchased with other links set at 135°, 212°, 286°, 360° and 500° F. Or as an option, you may purchase the unit with an ETL (Electro-Thermal Link) 165° F, for the purpose of hooking the unit to a gas or smoke detector, and operating the unit remotely. The ETL is available in optional temperature settings of 212° and 255° F.

The unit's power output is self-contained and operates automatically. If fire or other hazardous conditions occur and the valve is in the open position, or positions shown in Figure 1, the valve will close automatically. Once the unit has been activated the valve will remain closed by means of a patented ratcheting device which prevents the disc from "fluttering" open. This actuated-valve combination can be supplied by Essex as a complete assembly. Essex can supply a Neles-Jamesbury Fire-Tite® Wafer-Sphere® butterfly valve, 3" thru 12" in size, with either the TA or EA series actuator. Or, contact Essex Fluid Controls with torque ratings for the valve line you represent. An optional instrument package of an indicator switch can be supplied to operate items such as a light, siren, horn, etc., to indicate if the valve has been actuated closed.

Thermal & Electro-Thermal Shut-Off Actuators For Butterfly Valves

Figure 1



Approximate Dimensions (Inches)					
Valve Size	A	B	C	D	E
3	14.6	7.5	1.9	2.9	13.0
4	15.1	9.0	2.1	3.8	13.0
6	15.9	11.0	2.3	5.6	13.0
8	17.1	13.5	2.5	7.4	22.0
10	18.9	16.0	2.8	9.3	22.0
12	20.0	19.0	3.2	11.1	22.0

Valve Size	C _v Values			
	Valve Position			
	22-1/2°	45°	67-1/2°	90°
3	13.2	36.3	82.5	165
4	32	88	200	400
6	84	231	525	1050
8	176	484	1100	2200
10	264	726	1650	3300
12	408	1122	2550	5100

Figure 2

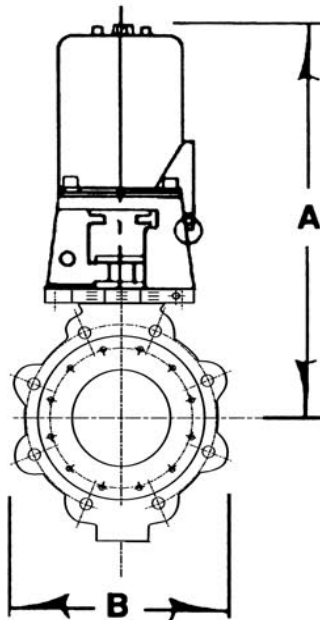
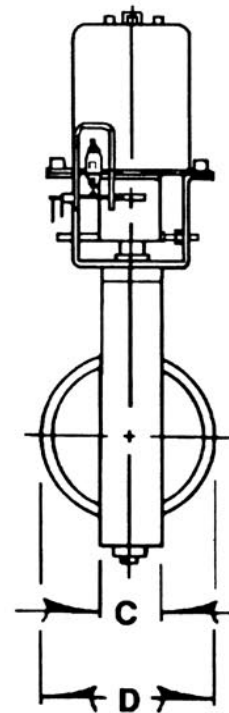


Figure 3

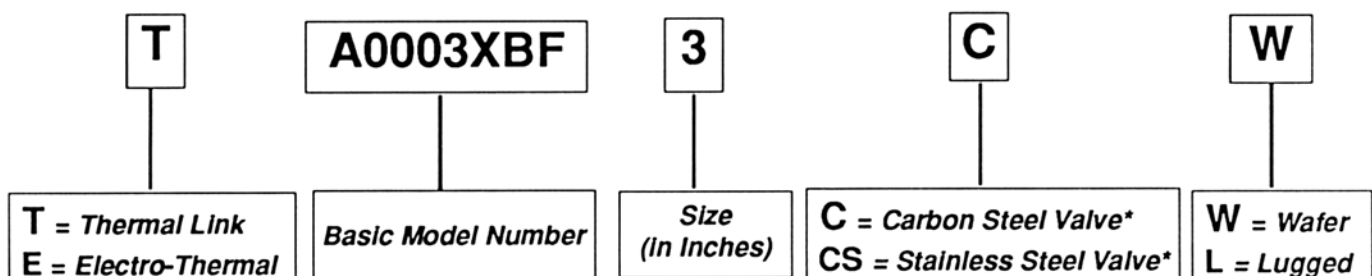


- 1) The Dimensions/C_v Values/Specifications/Seat Drawings/Differential Pressure Temperature Data and Valve Materials in the literature refer to Jamesbury®, Fire-Tite®, High performance butterfly valve, supplied as a standard, in 3" thru 10" size.
- 2) Contact Essex Fluid Controls for other butterfly valve lines with applicable torque values.

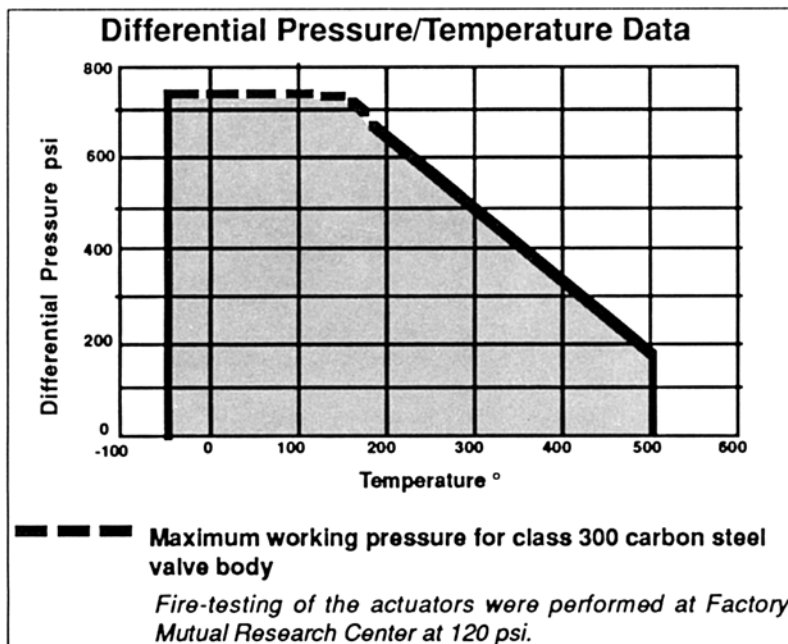
During A Raging Fire . . . Who Turns Off Fire-Safe Valves?

The Essex Watchdog® Actuator - That's Who!

**Here's How To Order
Fire-Safe Thermal or Electro-Thermal Shut-Off Butterfly Valves. . .**



* Note: 316 SS Disc Standard on Valves
+ Optional Materials Available



- Valve Construction Materials Specifications**
- Standard Materials of Construction*
- Body - Carbon Steel or 316 Stainless Steel
 - Disc - 316 Stainless Steel
 - Shaft - 17.4 PH or 316 Stainless Steel
 - Seal - TFE/316 Stainless Steel
 - Shaft Seal - Graphite
- + Other body, disc shaft, and seat materials also available.



Essex Industries, Inc.
7700 Gravois Avenue | St. Louis, MO 63123
PH (314) 832-4500 FAX (314) 752-3515
www.essexindustries.com

The information and approximate dimensions herein were considered correct at the time of printing. However, valve companies improve or modify products without notice or obligation to revise the products in service, or those being sold.

Global Supply Line Pty Ltd sole agents Australia, New Zealand & Papua New Guinea. www.globalsupplyline.com.au