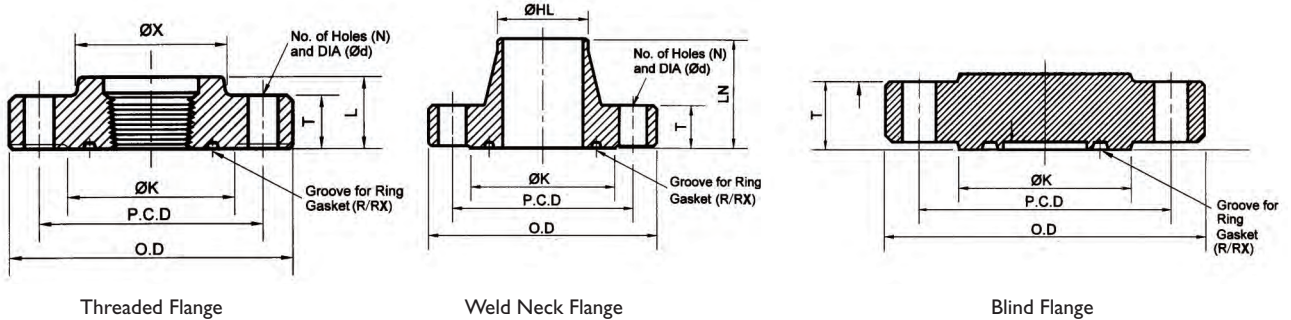




# API6A (6B) FLANGES



## BLIND, WELDNECK & COMPANION (THREADED) DIMENSIONS (inches)

Pressure Rating:- API 6B-2000 PSI WP (With R or RX type Ring Gasket)											
Size	OD	T	ØK	PCD	N	Ød	L	ØX	LN	ØHL	R/RX
2 1/16	6.50	1.31	4.25	5.00	8	0.75	1.75	3.31	3.19	2.38	23
2 3/16	7.50	1.44	5.00	5.88	8	0.88	1.94	3.94	3.44	2.88	26
3 1/16	8.25	1.56	5.75	6.62	8	0.88	2.12	4.62	3.56	3.50	31
4 1/16	10.75	1.81	6.88	8.50	8	1.00	2.44	6.00	4.31	4.50	37
5 1/16	13	2.06	8.25	10.50	8	1.12	2.69	7.44	4.81	5.56	41
7 1/16	14	2.19	9.50	11.50	12	1.12	2.94	8.75	4.94	6.63	45
9	16.5	2.50	11.88	13.75	12	1.25	3.31	10.75	5.56	8.63	49
11	20	2.81	14.00	17.00	16	1.38	3.69	13.50	6.31	10.75	53
13 1/16	22	2.94	16.25	19.25	20	1.38	3.94	15.75	-	-	57
16 1/16	27	3.31	20.00	23.75	20	1.62	4.50	19.50	-	-	65
21 1/16	32	3.88	25.00	28.50	24	1.75	5.38	24.00	-	-	73

For Ring Gasket number and PCD of Ring Groove see below.

Pressure Rating:- API 6B-3000 PSI WP (With R or RX type Ring Gasket)											
Size	OD	T	ØK	PCD	N	Ød	L	ØX	LN	ØHL	R/RX
2 1/16	8.50	1.81	4.88	6.50	8	1.00	2.56	4.12	4.31	2.38	24
2 3/16	9.62	1.94	5.38	7.50	8	1.12	2.81	4.88	4.44	2.88	27
3 1/16	9.50	1.81	6.12	7.50	8	1.00	2.44	5.00	4.31	3.50	31
4 1/16	11.50	2.06	7.12	9.50	8	1.25	3.06	6.25	4.81	4.50	37
5 1/16	13.75	2.31	8.50	11.00	8	1.38	3.44	7.50	5.31	5.56	41
7 1/16	15.00	2.50	9.50	12.50	12	1.25	3.69	9.25	5.81	6.63	45
9	18.50	2.81	12.12	15.50	12	1.50	4.31	11.75	6.69	8.63	49
11	21.50	3.06	14.25	18.50	16	1.50	4.56	14.50	7.56	10.75	53
13 1/16	24.00	3.44	16.50	21.00	20	1.50	4.94	16.50	-	-	57
16 1/16	27.75	3.94	20.62	24.25	20	1.75	5.06	20.00	-	-	66
20 1/16	33.75	4.75	25.50	29.25	20	2.12	6.75	24.50	-	-	74

For Ring Gasket number and PCD of Ring Groove see below.

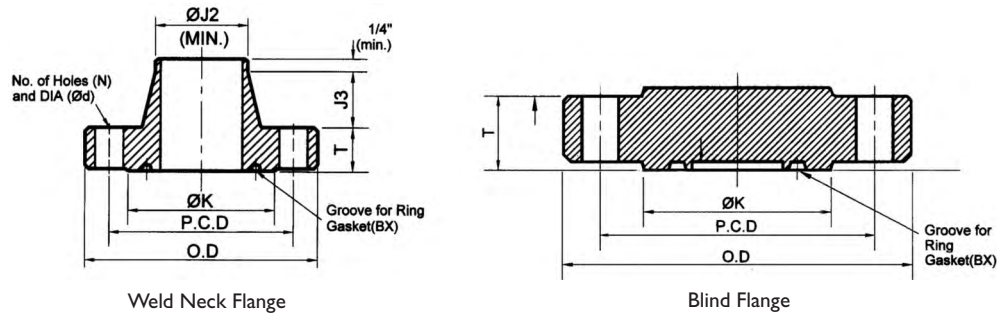
Pressure Rating:- API 6B-5000 PSI WP (With RX type Ring Gasket)											
Size	OD	T	ØK	PCD	N	Ød	L	ØX	LN	ØHL	RX
2 1/16	8.50	1.81	4.88	6.50	8	1.00	2.56	4.12	4.31	2.38	24
2 3/16	9.62	1.94	5.38	7.50	8	1.12	2.81	4.88	4.44	2.88	27
3 1/16	10.50	2.19	6.62	8.00	8	1.25	3.19	5.25	4.94	3.50	35
4 1/16	12.25	2.44	7.62	9.50	8	1.38	3.88	6.38	5.19	4.50	39
5 1/16	14.75	3.19	9.00	11.50	8	1.62	4.44	7.75	6.40	5.56	44
7 1/16	15.50	3.62	9.75	12.50	12	1.50	5.06	9.00	7.13	6.63	46
9	19	4.06	12.50	15.50	12	1.75	6.06	11.50	8.81	8.63	50
11	23	4.69	14.63	19.00	12	2.00	6.69	14.50	10.44	10.75	54

For Ring Gasket number and PCD of Ring Groove see below. For Ring Gasket ring groove dimensions see Page 25 to 29 of our Oilfield Catalogue.

See our online Oilfield Slide Rule at [www.globalsupplyline.com.au/product-range-oilfield-equipment.html](http://www.globalsupplyline.com.au/product-range-oilfield-equipment.html)



## API6A (6BX) FLANGES



### WELDNECK & BLIND RTJ DIMENSIONS (inches)

Rating:- API 6BX-10000 PSI WP (With BX type Ring Gasket)									
Size	OD	T	ØK	PCD	N	Ød	ØJ2	J3	BX
1 <sup>1</sup> / <sub>6</sub>	7.38	1.66	4.12	5.75	8	0.88	2.56	1.91	151
2 <sup>1</sup> / <sub>6</sub>	7.88	1.73	4.38	6.25	8	0.88	2.94	2.03	152
2 <sup>3</sup> / <sub>6</sub>	9.12	2.02	5.19	7.25	8	1.00	3.62	2.25	153
3 <sup>1</sup> / <sub>6</sub>	10.62	2.30	6.00	8.50	8	1.12	4.34	2.50	154
4 <sup>1</sup> / <sub>6</sub>	12.44	2.77	7.28	10.90	8	1.25	5.75	2.88	155
5 <sup>1</sup> / <sub>6</sub>	14.06	3.13	8.69	11.81	12	1.25	7.19	3.19	169
7 <sup>1</sup> / <sub>6</sub>	18.88	4.06	11.88	15.88	12	1.62	10.00	3.75	156
9	21.75	4.88	14.12	18.75	16	1.62	12.88	3.69	157
11	25.75	5.56	16.88	22.25	16	1.88	15.75	4.06	158
13 <sup>1</sup> / <sub>6</sub>	30.25	6.62	20.38	26.50	20	2.00	19.50	4.50	159
16 <sup>1</sup> / <sub>6</sub>	34.31	6.62	22.69	30.56	24	2.00	23.69	3.00	162

For Ring Gasket number and PCD of Ring Groove see below. For Ring Gasket ring groove dimensions see Page 25 to 29 of our Oilfield Catalogue.

Rating:- API 6BX-15000 PSI WP (With BX type Ring Gasket)									
Size	OD	T	ØK	PCD	N	Ød	ØJ2	J3	BX
1 <sup>1</sup> / <sub>6</sub>	8.19	1.78	4.19	6.31	8	1.00	2.81	1.88	151
2 <sup>1</sup> / <sub>6</sub>	8.75	2.00	4.50	6.88	8	1.00	3.25	2.12	152
2 <sup>3</sup> / <sub>6</sub>	10.00	2.25	5.25	7.88	8	1.12	3.94	2.25	153
3 <sup>1</sup> / <sub>6</sub>	11.31	2.53	6.06	9.06	8	1.25	4.81	2.50	154
4 <sup>1</sup> / <sub>6</sub>	14.19	3.09	7.62	11.44	8	1.50	6.25	2.88	155
7 <sup>1</sup> / <sub>6</sub>	19.88	4.69	12.00	16.88	16	1.62	10.88	3.62	156

For Ring Gasket number and PCD of Ring Groove see below. For Ring Gasket ring groove dimensions see Page 25 to 29 of our Oilfield Catalogue.

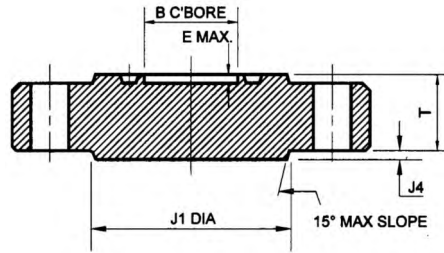
Rating:- API 6BX-20000 PSI WP (With BX type Ring Gasket)									
Size	OD	T	ØK	PCD	N	Ød	ØJ2	J3	BX
1 <sup>1</sup> / <sub>6</sub>	10.12	2.50	4.62	8.00	8	1.12	4.31	1.94	151
2 <sup>1</sup> / <sub>6</sub>	11.31	2.81	5.19	9.06	8	1.25	5.00	2.06	152
2 <sup>3</sup> / <sub>6</sub>	12.81	3.12	5.94	10.31	8	1.38	5.69	2.31	153
3 <sup>1</sup> / <sub>6</sub>	14.06	3.38	6.75	11.31	8	1.50	6.31	2.50	154
4 <sup>1</sup> / <sub>6</sub>	17.56	4.19	8.62	14.06	8	1.88	8.12	2.88	155
7 <sup>1</sup> / <sub>6</sub>	25.81	6.50	13.88	21.81	16	2.12	13.31	3.81	156

For Ring Gasket ring groove dimensions see Page 25 to 29 of our Oilfield Catalogue.

See our online Oilfield Slide Rule at [www.globalsupplyline.com.au/product-range-oilfield-equipment.html](http://www.globalsupplyline.com.au/product-range-oilfield-equipment.html)



# API6A (6BX) FLANGES



Blind Flanges

## BLIND RTJ DIMENSIONS LARGER SIZES (in)

Pressure Rating:- API 6BX-2000 PSI WP (With BX type Ring Gasket)				
Nominal Size B	Flange Thickness T	Hub Diametre J1	Groove Depth E	Added Hub Thickness J4
26½	4.97	32.91	0.844	0.38
30	5.28	36.69	0.906	0.69

Pressure Rating:- API 6BX-3000 PSI WP (With BX type Ring Gasket)				
Nominal Size B	Flange Thickness T	Hub Diametre J1	Groove Depth E	Added Hub Thickness J4
26½	6.34	34.25	0.844	0.00
30	6.58	38.19	0.906	0.50

Pressure Rating:- API 6BX-5000 PSI WP (With BX type Ring Gasket)				
Nominal Size B	Flange Thickness T	Hub Diametre J1	Groove Depth E	Added Hub Thickness J4
13½	4.44	18.94	0.562	0.94
16½	5.12	21.88	0.328	0.69
18½	6.53	26.56	0.719	0.75
21½	7.12	29.88	0.750	0.88

For Ring Gasket ring groove dimensions see Page 25 to 29 of our Oilfield Catalogue.

Pressure Rating:- API 6BX-10000 PSI WP (With BX type Ring Gasket)				
Nominal Size B	Flange Thickness T	Hub Diametre J1	Groove Depth E	Added Hub Thickness J4
5½	3.12	8.81	0.375	0.25
7½	4.06	11.88	0.438	0.38
9	4.88	14.75	0.500	0.38
11	5.56	17.75	0.562	0.56
13½	6.62	21.75	0.625	0.69
16½	6.62	25.81	0.328	1.19
18½	8.78	29.62	0.719	1.00
21½	9.50	33.38	0.750	1.25

For Ring Gasket ring groove dimensions see Page 25 to 29 of our Oilfield Catalogue.

Pressure Rating:- API 6BX-15000 PSI WP (With BX type Ring Gasket)				
Nominal Size B	Flange Thickness T	Hub Diametre J1	Groove Depth E	Added Hub Thickness J4
7½	4.69	12.81	0.438	0.31
9	5.75	17.00	0.500	0.56
11	7.38	23.00	0.562	0.50
13½	8.06	23.44	0.625	0.69
18½	10.06	32.00	0.719	1.38

For Ring Gasket number and PCD of Ring Groove see below. For Ring Gasket ring groove dimensions see Page 25 to 29 of our Oilfield Catalogue.

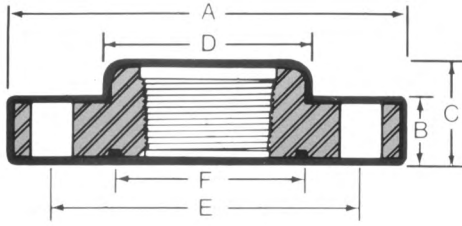
Pressure Rating:- API 6BX-20000 PSI WP (With BX type Ring Gasket)				
Nominal Size B	Flange Thickness T	Hub Diametre J1	Groove Depth E	Added Hub Thickness J4
7½	6.50	15.19	0.438	0.31
9	8.06	18.94	0.500	0.25
11	8.81	22.31	0.562	0.50
13½	11.50	27.31	0.625	0.56

For Ring Gasket number and PCD of Ring Groove see below. For Ring Gasket ring groove dimensions see Page 25 to 29 of our Oilfield Catalogue.

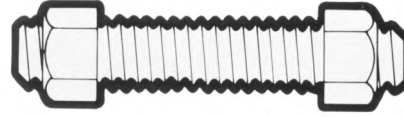
See our online Oilfield Slide Rule at [www.globalsupplyline.com.au/product-range-oilfield-equipment.html](http://www.globalsupplyline.com.au/product-range-oilfield-equipment.html)



# API6A (6B/6BX) FLANGES



API Companion Flange



Flange Stud Bolts and Nuts

## CHART SHOWING STUD SIZES & RING GASKET SIZE

API SPECS FOR RING-JOINT FLANGES	NEW API NOMINAL SIZE	FLANGE							API RING NO	STUDS WITH NUTS			
		A OD	B THICKNESS	C TOTAL THICKNESS	D DIAM. OF HUB	E DIAM. OF BOLT CIRCLE	F PCD RING GROOVE	APPROX WT LBS		NO	SIZE	APPROX WT LBS PER SET	"OLD" NOMINAL SIZE
2000 PSI WP	2 1/8"	6 1/2"	1 1/8"	1 3/4"	3 3/8"	5"	3 1/4"	9 lb	R23/RX23	8	3/8 x 4 1/2	5	2"
	2 1/2"	7 1/2"	1 1/8"	1 5/8"	3 5/8"	5 3/8"	4"	13 lb	R26/RX26	8	3/4 x 5	8	2 1/2"
	3 1/8"	8 1/4"	1 1/8"	2 1/8"	4 3/8"	6 3/8"	4 3/4"	16 lb	R31/RX31	8	3/4 x 5 1/4	8	3"
	4 1/8"	10 1/4"	1 3/8"	2 3/8"	6"	8 1/2"	5 3/8"	37 lb	R37/RX37	8	7/8 x 6	12	4"
	7 1/8"	14"	2 3/8"	2 5/8"	8 3/4"	11 1/2"	8 3/8"	80 lb	R45/RX45	12	1 x 7	29	6"
	9"	16 1/2"	2 1/2"	3 3/8"	10 3/4"	13 3/4"	10 3/8"	115 lb	R49/RX49	12	1 1/8 x 8	38	8"
	11"	20"	2 3/8"	3 1/8"	13 1/2"	17"	12 3/4"	177 lb	R53/RX53	16	1 1/8 x 8 1/4	73	10"
3000 PSI WP	2 1/8"	8 1/2"	1 1/8"	2 3/8"	4 3/8"	6 3/8"	3 3/4"	25 lb	R24/RX24	8	3/4 x 6	12	2"
	2 1/2"	9 3/8"	1 1/8"	2 3/8"	4 3/8"	7 1/2"	4 1/4"	36 lb	R27/RX27	8	1 x 6 1/2	17	2 1/2"
	3 1/8"	9 1/2"	1 3/8"	2 3/8"	5"	7 1/2"	4 3/8"	31 lb	R31/RX31	8	3/4 x 6	12	3"
	4 1/8"	11 1/2"	2 3/8"	3 3/8"	6 3/4"	9 1/4"	5 3/8"	53 lb	R37/RX37	8	1 1/8 x 7	24	4"
	7 1/8"	15"	2 1/2"	3 1/8"	9 1/4"	12 1/2"	8 3/8"	106 lb	R45/RX45	12	1 1/8 x 8	40	6"
	9"	18 1/2"	2 3/8"	4 3/8"	11 3/4"	15 1/2"	10 3/8"	172 lb	R49/RX49	12	1 1/8 x 9	69	8"
	11"	21 1/2"	3 3/8"	4 3/8"	14 1/2"	18 1/2"	12 3/4"	245 lb	R53/RX53	16	1 1/8 x 9 1/2	95	10"
5000 PSI WP	2 1/8"	8 1/2"	1 3/8"	2 3/8"	4 3/8"	6 3/8"	3 3/4"	25 lb	R24/RX24	8	3/4 x 6	12	2"
	2 1/2"	9 3/8"	1 3/8"	2 3/8"	4 3/8"	7 1/2"	4 1/4"	36 lb	R27/RX27	8	1 x 6 1/2	17	2 1/2"
	3 1/8"	10 1/2"	2 3/8"	3 3/8"	5 1/4"	8"	5 3/8"	48 lb	R35/RX35	8	1 1/8 x 7 1/4	24	3"
	4 1/8"	12 1/4"	2 3/8"	3 3/8"	6 3/8"	9 1/2"	6 3/8"	73 lb	R39/RX39	8	1 1/4 x 8	35	4"
	7 1/8"	15 1/2"	3 3/8"	5 3/8"	9"	12 1/2"	8 3/8"	164 lb	R46/RX46	12	1 3/8 x 10 1/4	75	6"
	9"	19"	4 3/8"	6 3/8"	11 1/2"	15 1/2"	10 3/8"	258 lb	R50/RX50	12	1 3/8 x 12	124	8"
	11"	23"	4 3/8"	6 1/8"	14 1/2"	19"	12 3/4"	436 lb	R54/RX54	12	1 3/8 x 13 3/4	187	10"
10000 PSI WP (SERIES 2900) (Obsolete)	2"	7 3/4"	2 3/8"	4 3/8"	3 3/8"	5 3/8"	3 3/8"	28 lb	R85/RX85	8	3/4 x 7	10	2"
	2 1/2"	8 3/8"	2 3/4"	5 3/8"	3 3/4"	6 3/8"	3 3/8"	45 lb	R86/RX86	8	1 x 8	14	2 1/2"
	3"	10"	3 3/8"	5 1/8"	4 3/8"	7 1/2"	3 1/2"	57 lb	R87/RX87	8	1 1/8 x 9	20	3"
	3 1/2"	11 1/2"	3 3/8"	5 3/8"	5"	8 1/2"	4 1/2"	100 lb	R89/RX89	8	1 1/4 x 9 1/4	28	3 1/2"
	4"	12 1/2"	3 3/8"	6 1/4"	5 3/8"	9 1/2"	4 3/8"	104 lb	R88/RX88	8	1 1/8 x 10 1/2	36	4"
10000 PSI WP (6BX)	1 1/8"	7 3/8"	1 3/8"	-	3 1/2"	5 3/8"	± 3.062"	-	BX-151	8	3/4 x 5	8	1 1/8"
	2 1/8"	7 3/8"	1 3/8"	-	3 1/2"	6 1/4"	± 3.395"	-	BX-152	8	3/4 x 5 1/4	8	2 1/8"
	2 1/2"	9 1/2"	2 3/4"	-	4 1/4"	7 1/4"	± 4.046"	-	BX-153	8	3/4 x 6	11	2 3/8"
	3 1/8"	10 3/8"	2 3/4"	-	5 3/8"	8 1/2"	± 4.685"	-	BX-154	8	1 x 6 1/4	17	3 1/8"
	4 1/8"	12 1/8"	2 3/4"	-	7 3/8"	10 3/8"	± 5.930"	-	BX-155	8	1 1/8 x 8	26	4 1/8"
	7 1/8"	18 3/8"	4 3/8"	-	11 3/8"	15 3/8"	± 9.521"	-	BX-156	12	1 1/2 x 11 1/4	95	7 1/8"
	9"	21 1/2"	4 3/8"	-	14 3/4"	18 3/4"	± 11.774"	-	BX-157	16	1 1/2 x 13	112	9"
15000 PSI WP (6BX)	1 1/8"	25 1/4"	5 3/8"	-	17 1/4"	22 1/4"	± 14.064"	-	BX-158	16	1 1/2 x 15	160	11"
	1 1/2"	8 3/8"	1 3/8"	-	3 7/8"	6 3/8"	± 3.062"	-	BX-151	8	3/4 x 5 1/2	9	1 3/8"
	2 1/8"	8 3/4"	2"	-	4 3/8"	6 3/8"	± 3.395"	-	BX-152	8	3/4 x 6	11	2 1/8"
	2 1/2"	10"	2 1/4"	-	5 3/8"	7 3/8"	± 4.046"	-	BX-153	8	1 x 6 3/4	16	2 3/8"
	3 1/8"	11 1/8"	2 1/2"	-	6 3/8"	9 3/8"	± 4.685"	-	BX-154	8	1 1/8 x 7 1/2	24	3 3/8"
	4 1/8"	14 3/8"	3 1/2"	-	7 3/8"	11 3/8"	± 5.930"	-	BX-155	8	1 3/8 x 9 1/4	29	4 1/8"
	7 1/8"	19 3/8"	4 3/8"	-	12 3/8"	16 3/8"	± 9.521"	-	BX-156	16	1 1/2 x 12 3/4	112	7 3/8"
9"	25 1/2"	5 3/4"	-	17"	21 3/4"	± 11.774"	-	BX-157	16	1 3/8 x 15 1/4	129	9"	
11"	32"	7 3/8"	-	23"	28"	± 14.064"	-	BX-158	20	2 x 19 1/4	228	11"	

For ring groove dimensions see Page 25 to 29 of our Oilfield Catalogue.

See our online Oilfield Slide Rule at [www.globalsupplyline.com.au/product-range-oilfield-equipment.html](http://www.globalsupplyline.com.au/product-range-oilfield-equipment.html)