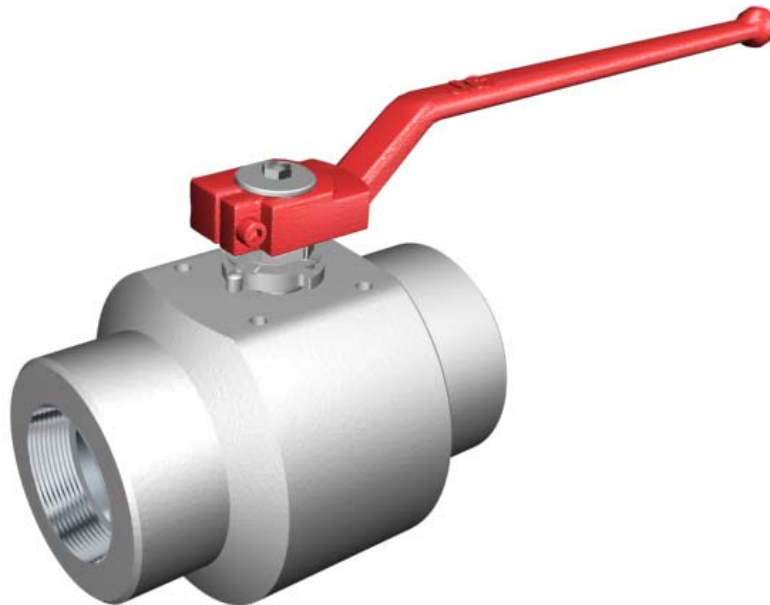




UDV Ball Valves Class 800 AIM & IIM Type DN 1/2" – 2"



SERIES UDV REDUCED BORE

UNIDIRECTIONAL VALVE

NPT Ends (SW or Nipples on request)
Face to face dimensions Manufacturer's Standard

Manufacturing program:

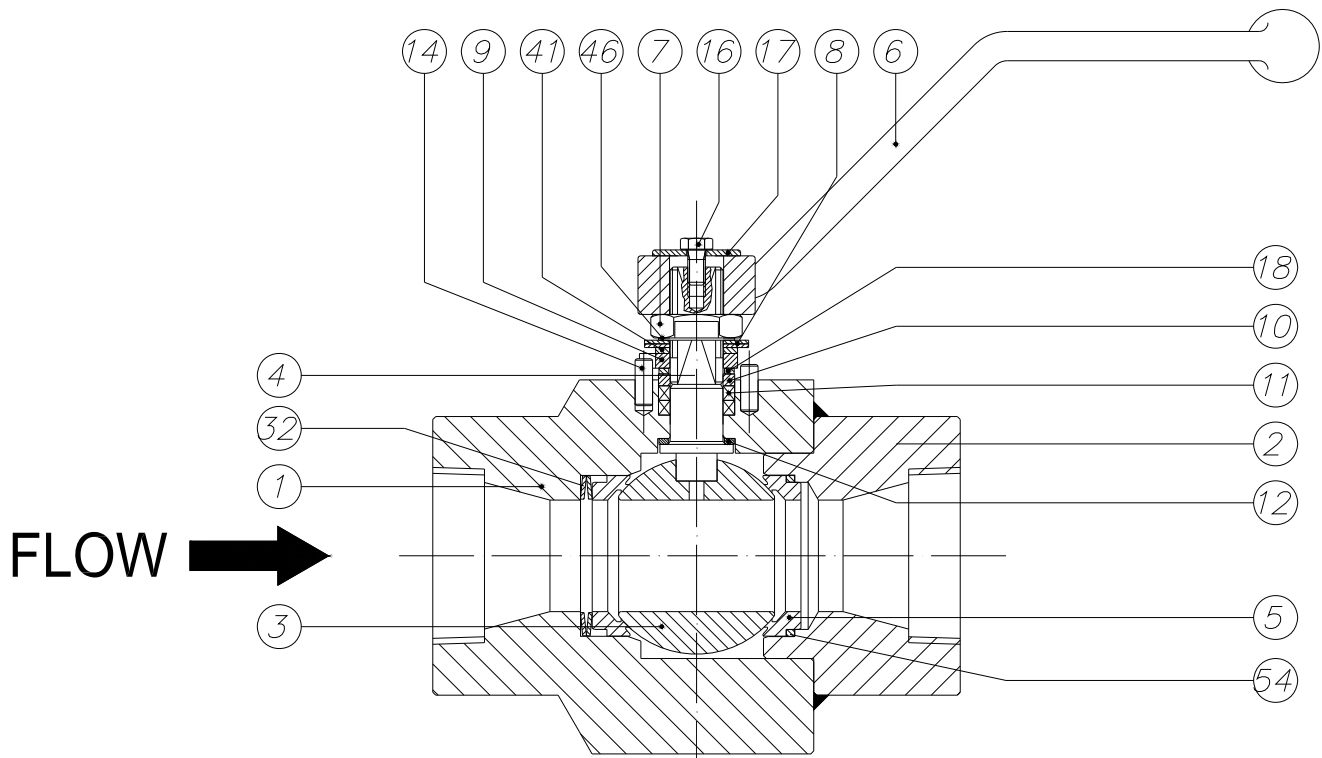


Quality & Environmental Management:



JC[®] Ball Valves Class 800 AIM & IIM Type

Parts and materials



Item	Description	Material	
		C.S. BODY	S.S. BODY
1	Body	A 105	A 479 Type 316
2	Body connector	A 105	A 479 Type 316
3	Ball	AISI 316 + HT-65 (*)	
4	Stem	17-4 PH + HT-65 (*)	
5	Seat ring	AISI 316 + HT-65	
6	Wrench	GGG-40	
7	Gland nut	Zinc plated carbon st.	AISI 303
8	Disk spring	Carbon St.	E.N.P. Carbon St.
9	Stop plate	Carbon St.	AISI 304
10	Gland	AISI 316 + HT-65	
11	Gland packing	Graphite	
12	Stem thrust seal	AISI 316 + HT-65	
14	Stop pin	Carbon St.	Stainless St.
16	Bolt	DIN 933 5.6 Zinc plated	DIN 933 A2
17	Washer	Carbon St.	Stainless St.
18	Thrust washer	AISI 316 + HT-65	
32	Disk spring	Inconel 718	
41	Spacer	Carbon St.	Stainless St.
46	Washer	AISI 304	
54	Seat gasket	Graphite	

(*) For high temperature supply: SA 479 XM-19 (Nitronic 50)

JC[®] Ball Valves Class 800 AIM & IIM Type

Dimensions

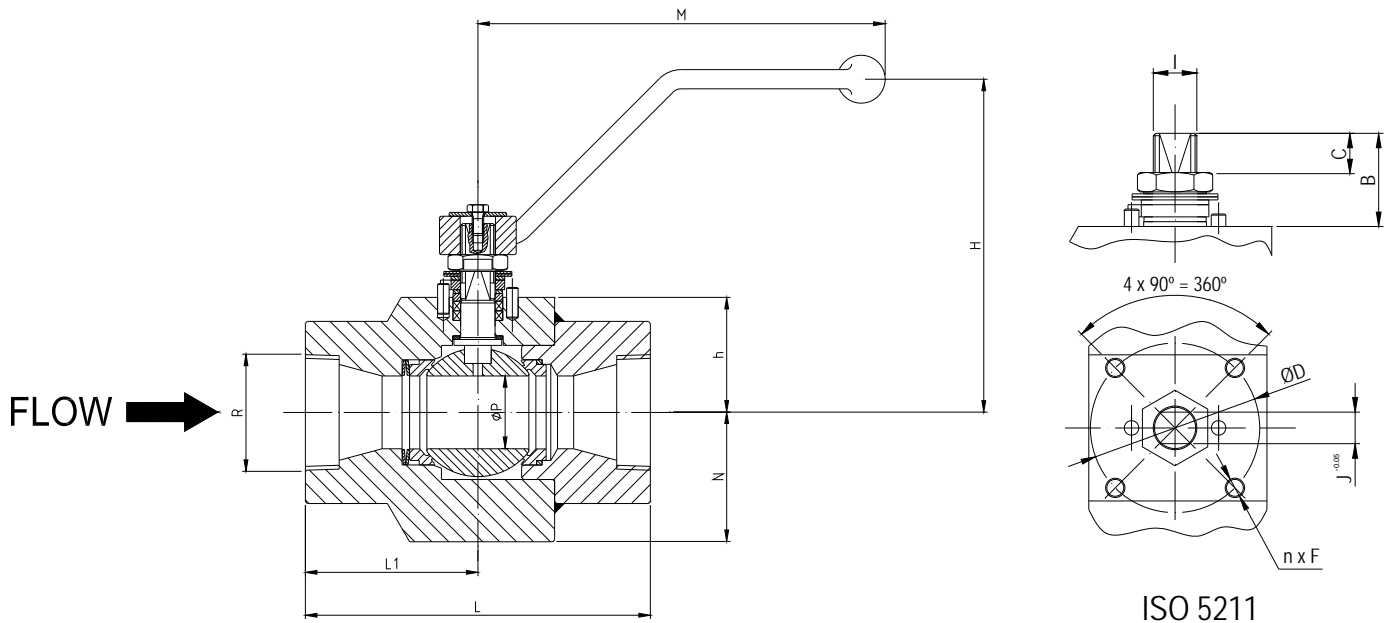


Fig. UDV Class 1500

DN	L	L1	R	ØP	N	h	H	M	Weight
½"	90	45	NPT	15	37,5	32	88	170	3,5
¾"	110	55	NPT	15	37,5	32	88	170	4,5
1"	120	60	NPT	20	42,5	35,5	92	170	5
1½"	150	75	NPT	28	60	50	115	247	6
2"	180	90	NPT	38	67,5	60	118	302,5	10

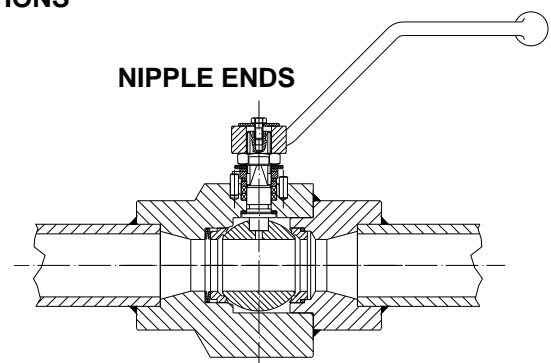
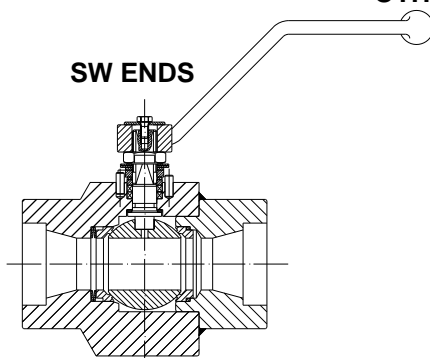
(*) Dimensions in mm and weight in kg.

ACTUATOR CONNECTION

DN	ISO 5211	B	C	ØD	n x F	I	J
½"	F04	18,4	6,8	42	4 x M5	M12x1,5	9
¾"	F04	18,4	6,8	42	4 x M5	M12x1,5	9
1"	F05	18,7	6,6	50	4 x M6	M12x1,5	9
1½"	F05	31,5	12,4	50	4 x M6	M16x1,5	12
2"	F07	38,5	16,2	70	4 x M8	M18x1,5	13

(*) Dimensions in mm and weight in kg.

OTHER CONSTRUCTIONS



Note:

Depending on the quantity and delivery date required SW Ends will be a transformation of the NPT Ends available in stock.



Ball Valves Class 800 AIM & IIM Type

General Characteristics, Torque & KV, P&T Rating

GENERAL CHARACTERISTICS	Fig.UDV , Series WFR	W elded	F loating	R educed
DESIGN STANDARDS				
Valves design	BS 5351	ISO 17292		
Shell thickness	BS 5351	ISO 17292		
End to end dimensions	Manufacturer's standard			
Actuator mounting piece	ISO 5211			
Marking	BS 5351	CE Mark > DN1"	ATEX	ISO 17292
TESTS AND CERTIFICATES				
Quality Assurance	ISO 9001			
Fire Safe	ISO 10497	BS 6755 Part 2	API 6FA	
Pressure testing	API 598	BS 6755 Part 1	ISO 5208 / 17292	EN 12266
Other	ISO 14001	ATEX		

Torque Values in Nm

VALVE SIZE	AT DIFFERENTIAL PRESSURE			
	20 bar	55 bar	138 bar	250 bar
½"	21	24	30	39
¾"	21	24	30	39
1"	21	25	37	54
1½"	40	58	102	161
2"	53	88	173	287

Kv in m³/h

DN ½"	DN ¾"	DN 1"
11	11	14
DN 1½"	DN 2"	
30	72	

Pressure-Temperature

