

BEVEL GEAR ACTUATORS

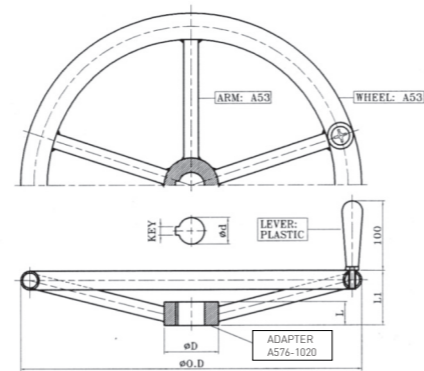
Handwheel Type

Bevel Standard Handwheel : Gate Valve

UNIT : mm

MODEL	SIZE	Ø O.D	Ø D	Ø D & KEY	L	L1	ARM Q'TY
BH-250	250	250	60	Ø 26 8X7	35	70	4EA
BH-300	300					90	
BH-400	400	400	70	Ø 32 10X8	35	110	5EA
BH-500	500					130	
BH-630	630					130	
BH-710	710	800	80	Ø 38 12X8	45	130	6EA
BH-800	800					130	
BH-900	900	1000	90	Ø 50 16X10	60		

If there is no request from customers, we will make handwheel as per the above table. As option, the material can be changed and Handwheel size can be suitable for all tmodel.

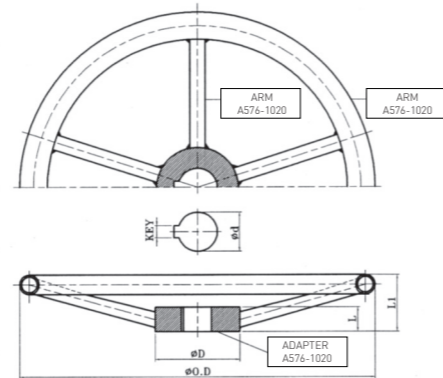


Round Bar Handwheel : Globe Valve

UNIT : mm

MODEL	SIZE	Ø O.D	Ø D	Ø D & KEY	L	L1	ARM Q'TY
RH-250	250	250	80	Ø 26 8X7	35	55	4EA
RH-300	300					60	
RH-400	400	400	100	Ø 32 10X8	35	65	5EA
RH-500	500					70	
RH-630	630					70	
RH-710	710	800	140	Ø 38 12X8	45	70	6EA
RH-800	800					70	
RH-900	900	1000	100	Ø 50 16X10	60		

All material of round bar handwheel is made by carbon steel and it is used for required momentary impact to be suitable globe valve.

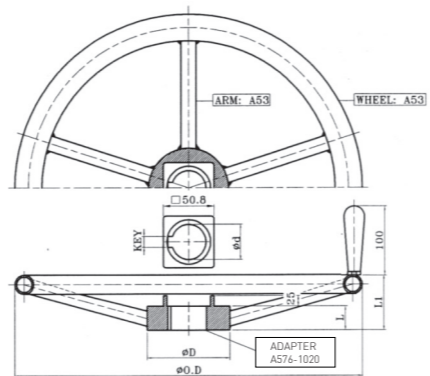


Drive Nut Handwheel

UNIT : mm

MODEL	SIZE	Ø O.D	Ø D	Ø D & KEY	L	L1	ARM Q'TY
BDH-250	250	250	90	Ø 26 8X7	35	70	4EA
BDH-300	300					90	
BDH-400	400	400	90	Ø 32 10X8	35	110	5EA
BDH-500	500					130	
BDH-630	630					130	
BDH-710	710	800	130	Ø 38 12X8	45	130	6EA
BDH-800	800					130	
BDH-900	900	1000	100	Ø 50 16X10	60		

This Handwheel is the type using air impact wrench and if can be made properly according to customer's request.



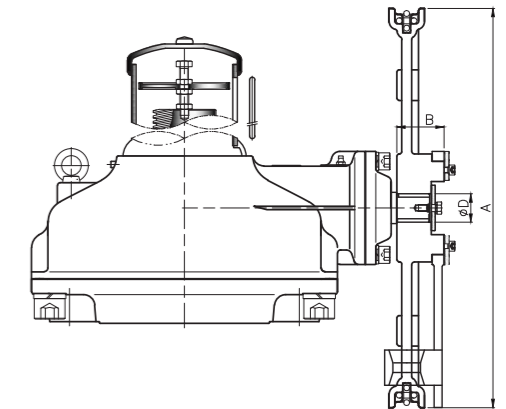
Chainwheel Type

Bevel Standard

UNIT : mm

MODEL	SIZE	A	B	Ø D & KEY
CH-200	200	200	43	Ø 16 6X6 Ø 21 6X6
CH-250	250			
CH-300	300	300	43.5	Ø 26 8X7 Ø 32 10X8
CH-350	350			
CH-400	400			
CH-450	450	500	50	Ø 38 12X8
CH-500	500			
CH-550	550	700	51.5	Ø 38 - 12X8 Ø 50 - 16X10
CH-600	600			
CH-700	700	800	53	

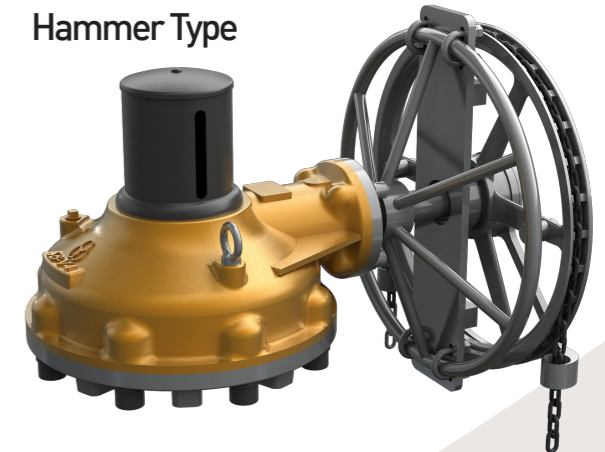
Gear Type



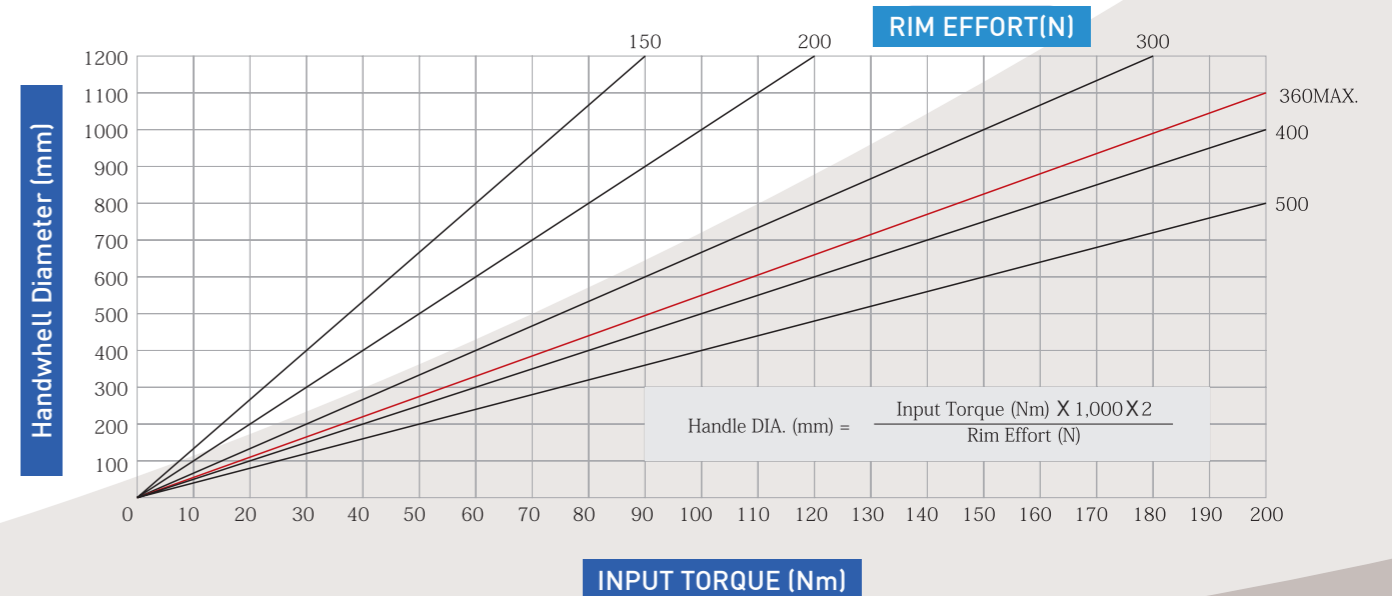
Chainwheel has 2 type

- First, hammer type which is joined with handwhell.
- Second, gear type which is adhered to gear directly.
- material : sprocket rim (FCD450), guide arm(FCD-450), chain(Steel + Zn)

Hammer Type



Handwheel Seleciton Chart

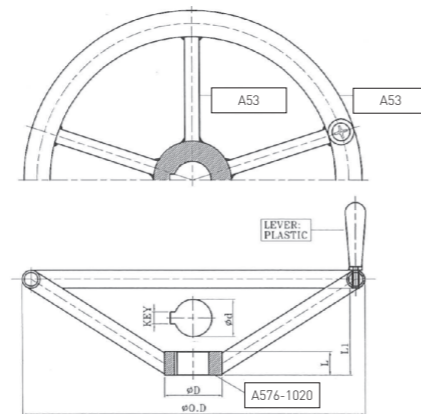


Handwheel Type

Handwheel Type

Worm Standard Handwheel

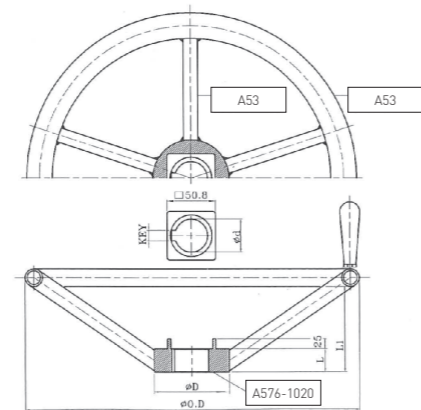
MODEL	SIZE	Ø0.D	ØD	ØD & KEY	L	L1	ARM QTY
WH-200	200	40	25	Ø16 6X6	70	3EA	
WH-250	250						
WH-300	300						
WH-350	350	50	30	Ø21 6X6	120	4EA	
WH-400	400						
WH-450	450						
WH-500	500	60	35	Ø26 8X7	160	5EA	
WH-560	560						
WH-630	630						
WH-710	710	70	35	Ø32 10X8	190	5EA	
WH-800	800						
WH-900	900						
WH-1000	1000	90	59	Ø50 16X10	270	6EA	



If there is no request from customers, we will make handwheel as per the above table. As option, the material can be changed and Handwheel size can be suitable for all model.

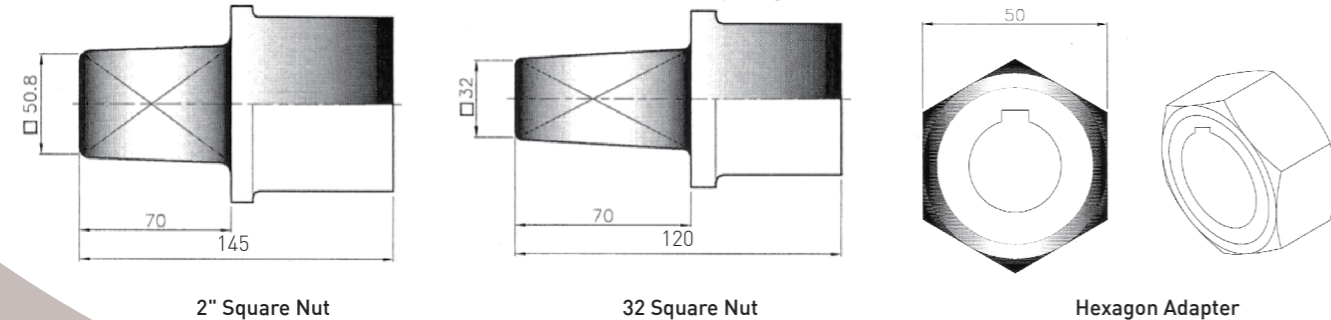
Drive Nut Handwheel

MODEL	SIZE	Ø0.D	ØD	ØD & KEY	L	L1	ARM QTY
WDNH-200	200	40	25	Ø16 6X6	70	3EA	
WDNH-250	250						
WDNH-300	300						
WDNH-350	350	50	30	Ø21 6X6	120	4EA	
WDNH-400	400						
WDNH-450	450						
WDNH-500	500	60	35	Ø26 8X7	160	5EA	
WDNH-560	560						
WDNH-630	630						
WDNH-710	710	70	35	Ø32 10X8	190	5EA	
WDNH-800	800						
WDNH-900	900						
WDNH-1000	1000	90	59	Ø50 16X10	270	6EA	



This Handwheel is the type using air impact wrench and if can be made properly according to customer's request.

Square Adaptor



2" Square Nut

32 Square Nut

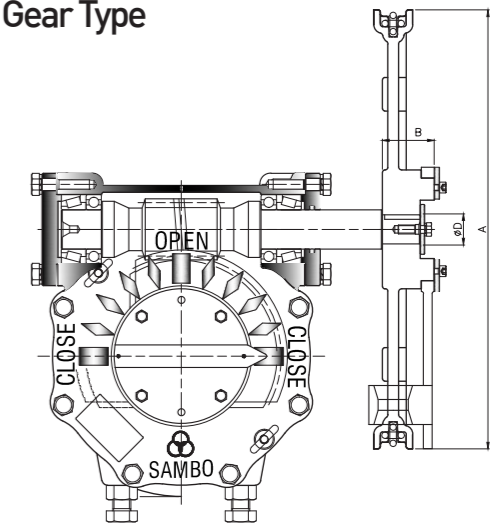
Hexagon Adaptor

Chainwheel Type

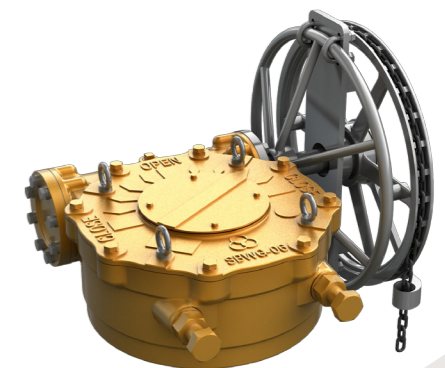
Worm Standard

MODEL	SIZE	A	B	Ø D & KEY
CH-200	200	200	43	Ø 16 6X6 Ø 21 6X6
CH-250	250			
CH-300	300	400	43.5	Ø 26 8X7 Ø 32 10X8
CH-350	350			
CH-400	400			
CH-450	450	500	50	Ø 38 12X8
CH-500	500			
CH-550	550	800	53	Ø 38 - 12X8 Ø 50 - 16X10
CH-600	600			
CH-700	700			
CH-800	800			

Gear Type



Hammer Type



Chainwheel has 2 Type

- First, hammer type which is joined with handwheel.
- Second, gear type which is adhered to gear directly.
- Material : sprocket rim (FCD-450), guide arm (FCD-450), chain (Steel + Zn)

Handwheel Selection Chart

